

# SCM

## 微型氣缸

### 一般型

φ 20 • φ 25 • φ 32 • φ 40  
φ 50 • φ 63 • φ 80 • φ 100

#### 概要

本產品為一般氣缸中之中口徑（φ20~φ100）的系列產品，內徑尺寸及種類豐富且外觀十分俐落，是一般型氣缸中最小型的氣缸。

#### 特色

##### 俐落的外觀

功能優異的簡潔設計

##### 優異的緩衝針閥調整

在緩衝針閥的部分安裝旋鈕，大幅提升調整作業。

##### 安裝作業更容易

安裝4支螺栓使操作性更加良好。不僅如此，使用一般工具即可安裝。

#### 可選擇的開關安裝方式

##### 綁帶方式

###### ● 開關安裝位置一目了然

開關導軌上有最高感度安裝位置用記號，進行維護時可大幅縮短設定開關位置的時間。

（僅限行程終端檢出時。雙色顯示方式、強磁場用除外）



###### ● 開關可自在旋轉移動

無須改變綁帶固定部的位置，只需鬆開固定用螺絲，即可360度自由旋轉開關導軌。於現場安裝開關或調整位置變得更簡單。

###### ● 防止固定用螺絲脫落

綁帶內側裝有防滑橡膠，即使鬆開螺絲也不會脫落。

##### 固定導軌方式

###### ● 將開關一體收納於導軌內

將超小型開關收納於開關導軌內，整體外觀簡潔俐落。導線亦可收納於同一個導軌內。只需調整螺絲即可輕鬆移動、設置氣缸開關。



## CONTENTS

|                       |     |
|-----------------------|-----|
| 產品體系表                 | 214 |
| 產品系列與選購品組合可否表         | 216 |
| ● 複動、單側活塞桿型 (SCM)     | 218 |
| ● 單動、推出型 (SCM-X)      | 240 |
| ● 單動、引入型 (SCM-Y)      | 246 |
| ● 複動、行程調整型、推出 (SCM-P) | 252 |
| ● 複動、行程調整型、引入 (SCM-R) | 258 |
| ● 複動、耐熱型 (SCM-T)      | 264 |
| ● 複動、防掉落型 (SCM-Q)     | 268 |
| ● 複動、微速型 (SCM-F)      | 278 |
| ● 複動、低速型 (SCM-O)      | 282 |
| ● 複動、低摩擦型 (SCM-U)     | 286 |
| ● 複動、雙側活塞桿型 (SCM-D)   | 292 |
| ● 複動、背對背型 (SCM-B)     | 300 |
| ● 複動、二段型 (SCM-W)      | 306 |
| ● 複動、串聯型 (SCM-W4)     | 312 |
| ● 複動、止轉型 (SCM-M)      | 318 |
| ● 複動、直接腳架型 (SCM-LD)   | 324 |
| SCM系列共用附屬品外形尺寸圖       | 238 |
| ⚠ 使用注意事項              | 330 |

SCP※3

CMK2

CMA2

SCM

SCG

SCA2

SCS2

CKV2

CAV2・  
COV/PIN2

SSD2

SSG

SSD

CAT

MDC2

MVC

SMG

MSD・  
MSDG

FC※

STK

SRL3

SRG3

SRM3

SRT3

MRL2

MRG2

SM-25

緩衝器

FJ

FK

調速閥

卷尾

# 產品體系表

# 微型氣缸 SCM系列

| 產品系列        | 型號              | 氣缸內徑<br>(mm)            | 標準行程 (mm)       |    |    |     |     |     |     |     |      |    | 最小行程<br>(mm) | 最大行程<br>(mm) | 中間行程<br>(mm) | 基本型 |    |
|-------------|-----------------|-------------------------|-----------------|----|----|-----|-----|-----|-----|-----|------|----|--------------|--------------|--------------|-----|----|
|             |                 |                         | JIS記號           |    |    |     |     |     |     |     |      |    |              |              |              |     |    |
|             |                 |                         | 25              | 50 | 75 | 100 | 125 | 150 | 200 | 250 | 300  | 每  |              |              |              |     | 00 |
| SCP*3       | SCM             | φ20・φ25・φ32             | ●               | ●  | ●  | ●   | ●   | ●   | ●   | ●   | ●    | ●  | 10           | 1000         | 1            | ●   |    |
| CMK2        | 複動、單側活塞桿型       | φ40・φ50・φ63             | ●               | ●  | ●  | ●   | ●   | ●   | ●   | ●   | ●    | ●  | 10           | 1500         | 1            | ●   |    |
| CMA2        |                 | φ80・φ100                | ●               | ●  | ●  | ●   | ●   | ●   | ●   | ●   | ●    | ●  |              | 1500         |              | ●   |    |
| SCM         |                 | SCM-X                   | φ20・φ25・φ32・φ40 | ●  | ●  | ●   | ●   | ●   | ●   | ●   | ●    | ●  |              | 5            |              | 200 | 1  |
| SCG         | SCM-Y           | φ20・φ25・φ32・φ40         | ●               | ●  | ●  | ●   | ●   | ●   | ●   | ●   | ●    | 5  | 200          | 1            | ●            |     |    |
| SCA2        | 複動、行程調整<br>(推出) | φ20・φ25・φ32             | ●               | ●  | ●  | ●   | ●   | ●   | ●   | ●   | ●    | 10 | 600          | 1            | ●            |     |    |
| SCS2        |                 | φ40・φ50・φ63             | ●               | ●  | ●  | ●   | ●   | ●   | ●   | ●   | ●    |    | 600          |              | ●            |     |    |
| CKV2        | 複動、行程調整<br>(引入) | φ20・φ25・φ32             | ●               | ●  | ●  | ●   | ●   | ●   | ●   | ●   | ●    | 10 | 1000         | 1            | ●            |     |    |
| CAV2・COVPI2 |                 | φ40・φ50・φ63             | ●               | ●  | ●  | ●   | ●   | ●   | ●   | ●   | ●    |    | 1500         |              | ●            |     |    |
| MDC2        | 複動、耐熱型          | φ20・φ25・φ32・φ40         | ●               | ●  | ●  | ●   | ●   | ●   | ●   | ●   | ●    | 10 | 1000         | 1            | ●            |     |    |
| MVC         |                 | φ50・φ63                 | ●               | ●  | ●  | ●   | ●   | ●   | ●   | ●   | ●    |    | 1500         |              | ●            |     |    |
| SMG         |                 | φ80・φ100                | ●               | ●  | ●  | ●   | ●   | ●   | ●   | ●   | ●    |    | 1500         |              | ●            |     |    |
| MSD・MSDG    | 複動、防掉落型         | φ20・φ25・φ32             | ●               | ●  | ●  | ●   | ●   | ●   | ●   | ●   | ●    | 10 | 1000         | 1            | ●            |     |    |
| FC*         |                 | φ40・φ50・φ63             | ●               | ●  | ●  | ●   | ●   | ●   | ●   | ●   | ●    |    | 1500         |              | ●            |     |    |
| STK         |                 | φ80・φ100                | ●               | ●  | ●  | ●   | ●   | ●   | ●   | ●   | ●    |    | 1500         |              | ●            |     |    |
| SRL3        | 複動、微速型          | φ20・φ25・φ32・φ40         | ●               | ●  | ●  | ●   | ●   | ●   | ●   | ●   | ●    | 5  | 500          | 1            | ●            |     |    |
| SRG3        |                 | φ20・φ25・φ32             | ●               | ●  | ●  | ●   | ●   | ●   | ●   | ●   | ●    |    | 10           |              | 1000         | 1   | ●  |
| SRM3        |                 | φ40・φ50・φ63             | ●               | ●  | ●  | ●   | ●   | ●   | ●   | ●   | ●    |    |              |              | 1500         |     | ●  |
| SRT3        | φ80・φ100        | ●                       | ●               | ●  | ●  | ●   | ●   | ●   | ●   | ●   | 1500 | ●  |              |              |              |     |    |
| MRL2        | 複動、低摩擦型         | φ20・φ25・φ32             | ●               | ●  | ●  | ●   | ●   | ●   | ●   | ●   | ●    | 10 | 1000         | 1            | ●            |     |    |
| MRG2        |                 | φ40・φ50・φ63             | ●               | ●  | ●  | ●   | ●   | ●   | ●   | ●   | ●    |    | 1500         |              | ●            |     |    |
| SM-25       |                 | φ80・φ100                | ●               | ●  | ●  | ●   | ●   | ●   | ●   | ●   | ●    |    | 1500         |              | ●            |     |    |
| 緩衝器         | 複動、背對背型         | φ20・φ25・φ32             | ●               | ●  | ●  | ●   | ●   | ●   | ●   | ●   | ●    | 10 | 500          | 1            | ●            |     |    |
| FJ          |                 | φ40・φ50・φ63             | ●               | ●  | ●  | ●   | ●   | ●   | ●   | ●   | ●    |    | 750          |              | ●            |     |    |
| FK          | 複動、二段型          | φ20・φ25・φ32             | ●               | ●  | ●  | ●   | ●   | ●   | ●   | ●   | ●    | 10 | 600          | 1            | ●            |     |    |
| 調速閥         |                 | φ40・φ50・φ63             | ●               | ●  | ●  | ●   | ●   | ●   | ●   | ●   | ●    |    | 600          |              | ●            |     |    |
| 卷尾          | 複動、串聯型          | φ20・φ25・φ32             | ●               | ●  | ●  | ●   | ●   | ●   | ●   | ●   | ●    | 10 | 600          | 1            | ●            |     |    |
|             |                 | φ40・φ50・φ63             | ●               | ●  | ●  | ●   | ●   | ●   | ●   | ●   | ●    |    | 600          |              | ●            |     |    |
|             | 複動、止轉型          | φ20・φ25・φ32             | ●               | ●  | ●  | ●   | ●   | ●   | ●   | ●   | ●    | 10 | 600          | 1            | ●            |     |    |
|             |                 | φ40・φ50・φ63             | ●               | ●  | ●  | ●   | ●   | ●   | ●   | ●   | ●    |    | 600          |              | ●            |     |    |
|             | 複動、直接腳架         | φ20・φ25・φ32・φ40・φ50・φ63 | ●               | ●  | ●  | ●   | ●   | ●   | ●   | ●   | ●    | 10 | 300          | 1            | ●            |     |    |



## 產品系列與選購品組合可否表

◎符號：選購品  
 ○符號：可製作（接單生產）  
 △符號：可否製作依條件而異（詳情請洽詢本公司）  
 ×符號：無法製作

| 區分       | 區分          | 產品系列         |       |       |          |      |     |     |          |          |     |       |             |     | 配管螺牙 |      | 選購品 |    |           |          |         |          |         |         |              |             |          |   |   |
|----------|-------------|--------------|-------|-------|----------|------|-----|-----|----------|----------|-----|-------|-------------|-----|------|------|-----|----|-----------|----------|---------|----------|---------|---------|--------------|-------------|----------|---|---|
|          |             | 複動基本型        | 單動推出型 | 單動引入型 | 複動雙側活塞桿型 | 背對背型 | 二段型 | 串聯型 | 行程調整型 推出 | 行程調整型 引入 | 止轉型 | 附空氣緩衝 | 耐熱型 (120°C) | 低速型 | 防掉落型 | 低摩擦型 | NPT | G  | 附防塵套尼龍防油布 | 附防塵套氯丁橡膠 | 附防塵套矽橡膠 | 活塞桿材質不鏽鋼 | 指定活塞桿前端 | 銅離子防止處理 | 無塵室規格 (排氣處理) | 無塵室規格 (抽真空) | 無關導軌添附出貨 |   |   |
|          |             | 無            | X     | Y     | D        | B    | W   | W4  | P        | R        | M   | B,R,H | T           | O   | Q    | U    |     |    | J         | K        | L       | M        | N*      | P6      | P7           | P71         | Q        |   |   |
| SSD2     | 複動基本型       | 無記號          |       |       |          |      |     |     |          |          |     | ◎     |             |     |      |      |     | ○  | ○         |          |         |          |         |         |              |             |          |   |   |
|          | 單動推出型       | X            |       | ×     | ×        | ○    | ×   | ×   | ×        | ○        | △   | ×     | △           | ×   | ×    | ×    |     | ○  | ○         |          |         |          |         |         | ×            | ×           | ○        |   |   |
| SSG      | 單動引入型       | Y            |       |       | ×        | ○    | ×   | ×   | ×        | ×        | △   | ×     | △           | ×   | ×    | ×    |     | ○  | ○         |          |         |          |         |         | ×            | ×           | ○        |   |   |
|          | 複動雙側活塞桿型    | D            |       |       |          | ×    | ×   | ×   | ×        | ×        | 註2  | ○     | ○           | ×   | ○    | ×    |     | ○  | ○         |          |         |          |         |         |              |             |          |   |   |
| SSD      | 背對背型        | B            |       |       |          |      | ×   | ×   | ×        | ×        | △   | △     | ○           | ○   | ×    | ×    |     | ○  | ○         |          |         |          |         |         |              |             |          |   |   |
|          | 二段型         | W            |       |       |          |      |     | ×   | ×        | ×        | ○   | ×     | ○           | ×   | ×    | ×    |     | ○  | ○         |          |         |          |         |         | △            | △           | ○        |   |   |
| CAT      | 串聯型         | W4           |       |       |          |      |     |     | ×        | ×        | ○   | ×     | ×           | ×   | ×    | ×    |     | ○  | ○         |          |         |          |         |         | △            | △           | ○        |   |   |
|          | 行程調整型 推出    | P            |       |       |          |      |     |     |          | ×        | ○   | ×     | △           | ×   | ×    | ×    |     | ○  | ○         |          |         |          |         |         | ×            | ×           | ○        |   |   |
| MDC2     | 行程調整型 引入    | R            |       |       |          |      |     |     |          |          | ○   | ×     | △           | ○   | △    | ×    |     | ○  | ○         |          |         |          |         |         | ×            | ×           | ○        |   |   |
|          | 止轉型         | M            |       |       |          |      |     |     |          |          |     | △     | ×           | ×   | △    | ×    |     | ○  | ○         |          |         |          |         | ×       | ×            | ×           | ○        |   |   |
| MVC      | 附空氣緩衝       | B,R,H        |       |       |          |      |     |     |          |          |     |       | 註4          | ×   | ◎    | ×    |     | 註1 | 註1        |          |         |          |         |         | ×            | ×           | ○        |   |   |
|          | 耐熱型 (120°C) | T            |       |       |          |      |     |     |          |          |     |       |             | ×   | ×    | ×    |     | ○  | ○         |          |         |          |         | ×       | ×            | ×           | ○        |   |   |
| SMG      | 低速型         | O            |       |       |          |      |     |     |          |          |     |       |             |     |      |      |     | ○  | ○         |          |         |          |         | ×       | ×            | ×           | ○        |   |   |
|          | 防掉落型        | Q            |       |       |          |      |     |     |          |          |     |       |             |     |      |      |     |    | 註3        | 註3       |         |          |         | △       | △            | △           | ○        |   |   |
| MSD・MSDG | 低摩擦型        | U            |       |       |          |      |     |     |          |          |     |       |             |     |      |      |     | ○  | ○         |          |         |          |         | ×       | ×            | ×           | ○        |   |   |
| FC※      | 配管螺牙        | NPT          |       |       |          |      |     |     |          |          |     |       |             |     |      |      |     |    |           |          |         |          |         |         |              |             |          |   |   |
|          |             | G            |       |       |          |      |     |     |          |          |     |       |             |     |      |      |     |    |           |          |         |          |         |         |              |             |          |   |   |
| STK      |             |              |       |       |          |      |     |     |          |          |     |       |             |     |      |      |     |    |           |          |         |          |         |         |              |             |          |   |   |
|          | 選購品         | 附防塵套尼龍防油布    |       |       |          |      |     |     |          |          |     |       |             |     |      |      |     |    |           |          |         |          |         |         | ×            | ×           | ○        |   |   |
| SRL3     |             | 附防塵套氯丁橡膠     |       |       |          |      |     |     |          |          |     |       |             |     |      |      |     |    |           |          |         |          |         |         | ×            | ×           | ○        |   |   |
|          |             | 附防塵套矽橡膠      |       |       |          |      |     |     |          |          |     |       |             |     |      |      |     |    |           |          |         |          |         |         | ×            | ×           | ○        |   |   |
| SRG3     |             | 活塞桿材質不鏽鋼     |       |       |          |      |     |     |          |          |     |       |             |     |      |      |     |    |           |          |         |          |         |         | ○            | ○           | ○        |   |   |
|          |             | 指定活塞桿前端      |       |       |          |      |     |     |          |          |     |       |             |     |      |      |     |    |           |          |         |          |         |         | ○            | ○           | ○        |   |   |
| SRM3     |             | 銅離子防止處理      |       |       |          |      |     |     |          |          |     |       |             |     |      |      |     |    |           |          |         |          |         |         |              | ×           | ×        |   |   |
|          |             | 無塵室規格 (排氣處理) |       |       |          |      |     |     |          |          |     |       |             |     |      |      |     |    |           |          |         |          |         |         |              |             | ○        |   |   |
| SRT3     |             | 無塵室規格 (抽真空)  |       |       |          |      |     |     |          |          |     |       |             |     |      |      |     |    |           |          |         |          |         |         |              |             | ○        |   |   |
|          |             | 無關導軌添附出貨     |       |       |          |      |     |     |          |          |     |       |             |     |      |      |     |    |           |          |         |          |         |         |              |             | ○        |   |   |
| MRL2     |             |              |       |       |          |      |     |     |          |          |     |       |             |     |      |      |     |    |           |          |         |          |         |         |              |             |          |   |   |
|          | 附屬品         | 氣缸開關         | 其他標註  | ◎     | ◎        | ◎    | ◎   | ◎   | ◎        | ◎        | ◎   | ◎     | ◎           | ×   | ◎    | ◎    | ◎   |    | ○         | ○        |         |          |         |         |              |             |          | ◎ |   |
| MRG2     |             | 一山關節         | I     | ◎     | ◎        | ◎    | ◎   | ◎   | ◎        | ◎        | ◎   | ◎     | ◎           | ◎   | ◎    | ◎    | ◎   |    | ○         | ○        |         |          |         |         |              |             | ×        | × | ◎ |
|          |             | 二山關節         | Y     | ◎     | ◎        | ◎    | ◎   | ◎   | ◎        | ◎        | ◎   | ◎     | ◎           | ◎   | ◎    | ◎    | ◎   |    | ○         | ○        |         |          |         |         |              |             | ×        | × | ◎ |
| SM-25    |             | 一山固定架 註5     | B1    | ◎     | ×        | ×    | ×   | ×   | ×        | ×        | ×   | ×     | ×           | ◎   | ◎    | ◎    | ◎   |    | ○         | ○        |         |          |         |         |              |             | ×        | × | ◎ |
|          |             | 二山固定架 註6     | B2    | ◎     | ◎        | ◎    | ◎   | ◎   | ◎        | ◎        | ◎   | ◎     | ◎           | ◎   | ◎    | ◎    | ◎   |    | ○         | ○        |         |          |         |         |              |             | ×        | × | ◎ |

註1：無法製作空氣緩衝的φ20、φ25  
 註2：僅單側止轉  
 註3：無法製作φ20、φ25  
 註4：無法製作φ20~φ32  
 註5：僅φ80、φ100  
 註6：僅φ20~φ63

緩衝器

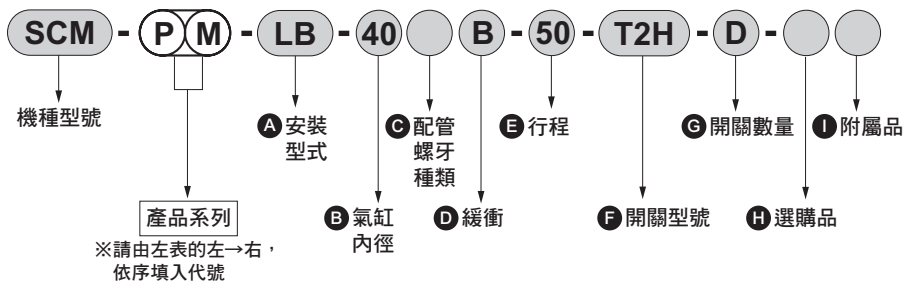
FJ

FK

調速閥

卷尾

## 〈型號標示範例〉



機種型號：微型氣缸

● 產品系列：行程調整型（推出）、止轉型

- A 安裝型式：軸向腳架型
- B 氣缸內徑：φ40mm
- C 配管螺牙種類：Rc螺牙
- D 緩衝：兩側附空氣緩衝
- E 行程：50mm
- F 開關型號：無接點T2H開關、導線1m
- G 開關數量：附2個
- H 選購品：無
- I 附屬品：無

註1：背對背型附2個氣缸。指定各種產品系列時，需依照下述方法：

若只有S1需要附加產品系列時，請在S1的行程前方填入產品系列記號。

（範例）SCM-B-32-O25-50：只有S1為低速型。

若只有S2需要附加產品系列時，請在S2的行程前方填入產品系列記號。

（範例）SCM-B-32-25-O50：只有S2為低速型。

若S1、S2皆需附加相同產品系列時，請在氣缸內徑前方填入產品系列記號。

（範例）SCM-BO-32-25-50：S1、S2均為低速型。

|               |
|---------------|
| SCP※3         |
| CMK2          |
| CMA2          |
| <b>SCM</b>    |
| SCG           |
| SCA2          |
| SCS2          |
| CKV2          |
| CAV2・COV/PIN2 |
| SSD2          |
| SSG           |
| SSD           |
| CAT           |
| MDC2          |
| MVC           |
| SMG           |
| MSD・MSDG      |
| FC※           |
| STK           |
| SRL3          |
| SRG3          |
| SRM3          |
| SRT3          |
| MRL2          |
| MRG2          |
| SM-25         |
| 緩衝器           |
| FJ            |
| FK            |
| 調速閥           |
| 卷尾            |

微型氣缸 複動、單側活塞桿型

# SCM Series

- 氣缸內徑：φ 20、φ 25、φ 32、φ 40  
φ 50、φ 63、φ 80、φ 100

JIS記號



## 規格

| 項目       | SCM                     |                             |       |                   |                                |       |       |       |       |
|----------|-------------------------|-----------------------------|-------|-------------------|--------------------------------|-------|-------|-------|-------|
| 氣缸內徑     | mm                      | φ 20                        | φ 25  | φ 32              | φ 40                           | φ 50  | φ 63  | φ 80  | φ 100 |
| 動作方式     | 複動型                     |                             |       |                   |                                |       |       |       |       |
| 使用流體     | 壓縮空氣                    |                             |       |                   |                                |       |       |       |       |
| 最高使用壓力   | MPa                     | 1.0                         |       |                   |                                |       |       | 0.05  |       |
| 最低使用壓力   | MPa                     | 0.1                         |       |                   |                                |       |       | 0.05  |       |
| 耐壓力      | MPa                     | 1.6                         |       |                   |                                |       |       |       |       |
| 環境溫度     | °C                      | -10~60 (避免結凍)               |       |                   |                                |       |       |       |       |
| 連接口徑     | 附橡膠緩衝                   | Rc1/8                       |       |                   | Rc1/4                          |       | Rc3/8 | Rc1/2 |       |
|          | 附空氣緩衝                   | M5                          | Rc1/8 |                   | Rc1/4                          |       | Rc3/8 | Rc1/2 |       |
| 行程容許差    | 附橡膠緩衝                   | +1.4 (~1000)<br>0           |       | +1.4 (~1500)<br>0 | +2.3 (~1000)、+2.7 (~1500)<br>0 |       |       |       |       |
|          | 附空氣緩衝                   | +1.4 (~1000)<br>0           |       | +1.4 (~1500)<br>0 | +1.4 (~1000)、+1.8 (~1500)<br>0 |       |       |       |       |
| 使用活塞速度   | mm/s                    | 30~1000 (使用時不得超過吸收能量的容許範圍。) |       |                   |                                |       |       |       |       |
| 緩衝       | 可選擇橡膠緩衝、空氣緩衝            |                             |       |                   |                                |       |       |       |       |
| 空氣緩衝有效長度 | mm                      | 8.1                         | 8.1   | 8.6               | 8.6                            | 13.4  | 13.4  | 15.4  | 15.4  |
| 給油       | 不要 (給油時請使用渦輪機油ISO VG32) |                             |       |                   |                                |       |       |       |       |
| 容許吸收能量 J | 附橡膠緩衝                   | 0.1                         | 0.2   | 0.5               | 0.9                            | 1.6   | 1.6   | 3.3   | 5.8   |
|          | 附空氣緩衝                   | 0.8                         | 1.2   | 2.5               | 3.7                            | 8.0   | 14.4  | 25.4  | 45.6  |
| 無緩衝      | -                       | -                           | -     | -                 | 0.057                          | 0.057 | 0.112 | 0.153 |       |

註1：容許吸收能量為「無緩衝」，表示的是選擇單側空氣緩衝時未指示側(「R」→頭蓋側、「H」→活塞桿側)的容許吸收能量。

註2：無緩衝時，將無法吸收外部負載所產生的較大能量。請於外部裝設緩衝裝置。

## 行程

| 氣缸內徑 (mm) | 標準行程 (mm)                                | 最大行程 (mm) | 最小行程 (mm) |
|-----------|--|-----------|-----------|
| φ 20      | 25、50、75、100、<br>125、150、200、<br>250、300 | 1000      | 10        |
| φ 25      |  |           |           |
| φ 32      |  |           |           |
| φ 40      |  |           |           |
| φ 50      | 1500                                     | 1500      | 10        |
| φ 63      |  |           |           |
| φ 80      |  |           |           |
| φ 100     |  |           |           |

註1：中間行程的製作規格間距為1mm。

## 開關安裝數量及最小行程 (mm)

● 開關安裝方式：導軌方式

| 開關數量      | 1     |         |      |     | 2     |      |     |       | 3       |      |     |       | 4       |      |     |       | 5       |      |     |    |
|-----------|-------|---------|------|-----|-------|------|-----|-------|---------|------|-----|-------|---------|------|-----|-------|---------|------|-----|----|
|           | 無接點   |         | 有接點  |     | 無接點   |      | 有接點 |       | 無接點     |      | 有接點 |       | 無接點     |      | 有接點 |       | 無接點     |      | 有接點 |    |
| 氣缸內徑 (mm) | T2,T3 | T2W,T3W | T×Y× | 有接點 | T2,T3 | T×Y× | 有接點 | T2,T3 | T2W,T3W | T×Y× | 有接點 | T2,T3 | T2W,T3W | T×Y× | 有接點 | T2,T3 | T2W,T3W | T×Y× | 有接點 |    |
| φ 20      | 10    |         |      |     | 25    |      |     |       | 50      | 70   | 70  | 55    | 55      | 70   | 70  | 55    | 75      | 110  | 110 | 90 |
| φ 25      | 10    |         |      |     | 25    |      |     |       | 50      | 70   | 70  | 55    | 55      | 70   | 70  | 55    | 75      | 110  | 110 | 90 |
| φ 32      | 10    |         |      |     | 25    |      |     |       | 50      | 70   | 70  | 55    | 55      | 70   | 70  | 55    | 75      | 110  | 110 | 90 |
| φ 40      | 10    |         |      |     | 25    |      |     |       | 50      | 70   | 70  | 55    | 55      | 70   | 70  | 55    | 75      | 110  | 110 | 90 |
| φ 50      | 10    |         |      |     | 25    |      |     |       | 50      | 65   | 65  | 55    | 55      | 65   | 65  | 55    | 75      | 110  | 110 | 90 |
| φ 63      | 10    |         |      |     | 25    |      |     |       | 50      | 65   | 65  | 55    | 55      | 65   | 65  | 55    | 75      | 110  | 110 | 90 |
| φ 80      | 10    |         |      |     | 25    |      |     |       | 50      | 65   | 65  | 55    | 55      | 65   | 65  | 55    | 75      | 110  | 110 | 90 |
| φ 100     | 10    |         |      |     | 25    |      |     |       | 50      | 65   | 65  | 55    | 55      | 65   | 65  | 55    | 75      | 110  | 110 | 90 |

註1：由於附1個開關且行程10mm以上未滿25mm的規格，其開關導軌安裝位置會改變，因此無法製造安裝型式耳軸型。另外，安裝位置請參閱第329頁。

● 開關安裝方式：綁帶方式

| 開關數量      | 1     |         |      |     | 2              |         |      |     | 3              |         |      |     | 4              |         |      |     | 5              |         |      |     |
|-----------|-------|---------|------|-----|----------------|---------|------|-----|----------------|---------|------|-----|----------------|---------|------|-----|----------------|---------|------|-----|
|           | 無接點   |         | 有接點  |     | 無接點            |         | 有接點  |     | 無接點            |         | 有接點  |     | 無接點            |         | 有接點  |     | 無接點            |         | 有接點  |     |
| 氣缸內徑 (mm) | T2,T3 | T2W,T3W | T×Y× | 有接點 | T0,T5<br>T2,T3 | T2W,T3W | T×Y× | 有接點 | T0,T5<br>T2,T3 | T2W,T3W | T×Y× | 有接點 | T0,T5<br>T2,T3 | T2W,T3W | T×Y× | 有接點 | T0,T5<br>T2,T3 | T2W,T3W | T×Y× | 有接點 |
| φ 20      | 10    |         |      |     | 25             | 30      | 35   | 25  | 50             | 55      | 55   | 50  | 70             | 75      | 80   | 70  | 95             | 100     | 100  | 95  |
| φ 25      | 10    |         |      |     | 25             | 30      | 35   | 25  | 50             | 55      | 55   | 50  | 70             | 75      | 80   | 70  | 95             | 100     | 100  | 95  |
| φ 32      | 10    |         |      |     | 25             | 30      | 35   | 25  | 50             | 55      | 55   | 50  | 70             | 75      | 80   | 70  | 95             | 100     | 100  | 95  |
| φ 40      | 10    |         |      |     | 25             | 30      | 35   | 25  | 50             | 55      | 55   | 50  | 70             | 75      | 80   | 70  | 95             | 100     | 100  | 95  |
| φ 50      | 10    |         |      |     | 25             | 30      | 35   | 25  | 50             | 55      | 55   | 50  | 70             | 75      | 80   | 70  | 95             | 100     | 100  | 95  |
| φ 63      | 10    |         |      |     | 25             | 30      | 35   | 25  | 50             | 55      | 55   | 50  | 70             | 75      | 80   | 70  | 95             | 100     | 100  | 95  |
| φ 83      | 10    |         |      |     | 25             | 30      | 35   | 25  | 50             | 55      | 55   | 50  | 70             | 75      | 80   | 70  | 95             | 100     | 100  | 95  |
| φ 100     | 10    |         |      |     | 25             | 30      | 35   | 25  | 50             | 55      | 55   | 50  | 70             | 75      | 80   | 70  | 95             | 100     | 100  | 95  |



開關規格

● 單色/雙色顯示方式

| 項目   | 無接點2線式                           |                               | 無接點3線式                         |                               |                               |                                | 無接點3線式                        |                               |                |                 | 有接點2線式                         |                                |                                 |              | 無接點2線式                  |        |        |
|------|----------------------------------|-------------------------------|--------------------------------|-------------------------------|-------------------------------|--------------------------------|-------------------------------|-------------------------------|----------------|-----------------|--------------------------------|--------------------------------|---------------------------------|--------------|-------------------------|--------|--------|
|      | T1H・T1V                          | T2H・T2V・<br>T2JH・T2JV         | T2YH・<br>T2YV                  | T2WH・<br>T2WV                 | T3H・T3V                       | T3PH・T3PV<br>(接單生產)            | T3YH・<br>T3YV                 | T3WH・<br>T3WV                 | T0H・T0V        | T5H・T5V         | T8H・T8V                        |                                | T2YD                            |              |                         |        |        |
| 用途   | 可程式控制器<br>繼電器、小型電磁開關             | 可程式控制器專用                      |                                |                               |                               | 可程式控制器、繼電器用                    |                               |                               |                | 可程式控制器、<br>繼電器用 | 可程式控制器、繼電器<br>IC選路(無顯示燈)、串聯連接用 | 可程式控制器、繼電器用                    |                                 | 可程式<br>控制器專用 |                         |        |        |
| 輸出方式 | —                                |                               |                                |                               | NPN輸出                         | PNP輸出                          | NPN輸出                         | NPN輸出                         | —              |                 |                                |                                | —                               |              |                         |        |        |
| 電源電壓 | —                                |                               |                                |                               | DC10~28V                      |                                |                               |                               | —              |                 |                                |                                | —                               |              |                         |        |        |
| 負載電壓 | AC85~265V                        | DC10~30V                      | DC24V±10%                      | DC30V以下                       |                               |                                |                               | DC12/24V                      | AC100/110V     | DC5/12/24V      | AC100/110V                     | DC12/24V                       | AC110V                          | AC220V       | DC24V±10%               |        |        |
| 負載電流 | 5~100mA                          | 5~20mA (註2)                   |                                |                               |                               | 100mA以下                        |                               | 50mA以下                        |                | 5~50mA          | 7~20mA                         | 50mA以下                         | 20mA以下                          | 5~50mA       | 7~20mA                  | 7~10mA | 5~20mA |
| 顯示燈  | LED<br>(ON時亮燈)                   | LED (ON<br>時亮燈)               | 紅色/綠色<br>LED<br>(ON時亮燈)        | 紅色/綠色<br>LED<br>(ON時亮燈)       | LED<br>(ON時亮燈)                | 黃色<br>LED<br>(ON時亮燈)           | 紅色/綠色<br>LED<br>(ON時亮燈)       | 紅色/綠色<br>LED<br>(ON時亮燈)       | LED<br>(ON時亮燈) |                 | 無顯示燈                           |                                | LED<br>(ON時亮燈)                  |              | 紅色/綠色<br>LED<br>(ON時亮燈) |        |        |
| 漏電電流 | AC100V時電流小於1mA<br>AC200V時電流小於2mA | 1mA以下                         |                                |                               |                               | 10μA以下                         |                               |                               |                | 0mA             |                                |                                |                                 | 1mA以下        |                         |        |        |
| 重量 g | 1m : 33<br>3m : 87<br>5m : 142   | 1m : 18<br>3m : 49<br>5m : 80 | 1m : 33<br>3m : 87<br>5m : 142 | 1m : 18<br>3m : 49<br>5m : 80 | 1m : 18<br>3m : 49<br>5m : 80 | 1m : 33<br>3m : 87<br>5m : 142 | 1m : 18<br>3m : 87<br>5m : 80 | 1m : 18<br>3m : 87<br>5m : 80 | 1m : 18        | 3m : 49         | 5m : 80                        | 1m : 33<br>3m : 87<br>5m : 142 | 1m : 61<br>3m : 166<br>5m : 272 |              |                         |        |        |

註1：其他開關規格，請參閱卷尾第1頁。

註2：上述負載電流的最大值：20mA為溫度25°C時的數值。開關使用環境溫度若高於25°C，電流將降至低於20mA。  
(溫度到達60°C時，則電流為5~10mA。)

註3：T0/T5開關也可使用AC220V。關於使用條件，請洽詢本公司。

註4：交流磁場用開關(T2YD)於直流磁場環境下無法使用。

註5：外形尺寸視開關型號而異。詳細內容請參閱卷尾第18頁。

氣缸重量

(單位：kg)

| 項目、安裝型式 | 行程 (S) = 0mm 時的產品重量 |            |             |      |             | 開關重量<br>(每1個)          | S=10 mm 時<br>的累計重量 | S=10mm 時的<br>累計重量<br>(附開關<br>導軌) | 1個開關的綁帶重量 |
|---------|---------------------|------------|-------------|------|-------------|------------------------|--------------------|----------------------------------|-----------|
|         | 基本型 (00)            | 軸向腳架型 (LB) | 法蘭型 (FA/FB) | 吊耳型  | 耳軸型 (TA/TB) |                        |                    |                                  |           |
| φ 20    | 0.10                | 0.21       | 0.13        | 0.15 | 0.11        | 請參閱開關<br>規格內記載<br>的重量。 | 0.01               | 0.012                            | 0.007     |
| φ 25    | 0.17                | 0.30       | 0.21        | 0.25 | 0.19        |                        | 0.014              | 0.016                            | 0.007     |
| φ 32    | 0.26                | 0.42       | 0.32        | 0.41 | 0.29        |                        | 0.018              | 0.02                             | 0.007     |
| φ 40    | 0.41                | 0.63       | 0.49        | 0.64 | 0.46        |                        | 0.03               | 0.032                            | 0.007     |
| φ 50    | 0.77                | 1.25       | 1.11        | 1.17 | 0.91        |                        | 0.044              | 0.046                            | 0.008     |
| φ 63    | 1.07                | 1.79       | 1.57        | 1.75 | 1.21        |                        | 0.052              | 0.054                            | 0.009     |
| φ 80    | 2.04                | 3.00       | 2.75        | 2.75 | —           |                        | 0.07               | 0.072                            | 0.010     |
| φ 100   | 3.17                | 4.92       | 4.52        | 4.45 | —           |                        | 0.098              | 0.10                             | 0.010     |

(範例) SCM-LB-40B-100-T2H-D 的產品重量

$$\begin{cases} S=0\text{mm 時的產品重量} & \dots\dots\dots 0.63\text{kg} \\ S=100\text{mm 時的累計重量} & \dots\dots\dots 0.032 \times \frac{100}{10} = 0.32\text{kg} \\ 2\text{個開關的重量} & \dots\dots\dots 0.018 \times 2 = 0.036\text{kg} \\ \text{產品重量} & \dots\dots\dots 0.63 + 0.32 + 0.036 = 0.986\text{kg} \end{cases}$$

理論推力表

(單位：N)

| 氣缸內徑<br>(mm) | 動作方向 | 使用壓力 MPa             |                      |                      |                      |                      |                      |                      |                      |                      |                      |                      |
|--------------|------|----------------------|----------------------|----------------------|----------------------|----------------------|----------------------|----------------------|----------------------|----------------------|----------------------|----------------------|
|              |      | 0.1                  | 0.15                 | 0.2                  | 0.3                  | 0.4                  | 0.5                  | 0.6                  | 0.7                  | 0.8                  | 0.9                  | 1.0                  |
| φ 20         | Push | 31.4                 | 47.1                 | 62.8                 | 94.2                 | 1.26×10 <sup>2</sup> | 1.57×10 <sup>2</sup> | 1.88×10 <sup>2</sup> | 2.20×10 <sup>2</sup> | 2.51×10 <sup>2</sup> | 2.83×10 <sup>2</sup> | 3.14×10 <sup>2</sup> |
|              | Pull | 26.4                 | 39.6                 | 52.8                 | 79.2                 | 1.06×10 <sup>2</sup> | 1.32×10 <sup>2</sup> | 1.58×10 <sup>2</sup> | 1.85×10 <sup>2</sup> | 2.11×10 <sup>2</sup> | 2.38×10 <sup>2</sup> | 2.64×10 <sup>2</sup> |
| φ 25         | Push | 49.1                 | 73.6                 | 98.2                 | 1.47×10 <sup>2</sup> | 1.96×10 <sup>2</sup> | 2.45×10 <sup>2</sup> | 2.95×10 <sup>2</sup> | 3.44×10 <sup>2</sup> | 3.93×10 <sup>2</sup> | 4.42×10 <sup>2</sup> | 4.91×10 <sup>2</sup> |
|              | Pull | 41.2                 | 61.9                 | 82.5                 | 1.24×10 <sup>2</sup> | 1.65×10 <sup>2</sup> | 2.06×10 <sup>2</sup> | 2.47×10 <sup>2</sup> | 2.89×10 <sup>2</sup> | 3.30×10 <sup>2</sup> | 3.71×10 <sup>2</sup> | 4.12×10 <sup>2</sup> |
| φ 32         | Push | 80.4                 | 1.21×10 <sup>2</sup> | 1.61×10 <sup>2</sup> | 2.41×10 <sup>2</sup> | 3.22×10 <sup>2</sup> | 4.02×10 <sup>2</sup> | 4.83×10 <sup>2</sup> | 5.63×10 <sup>2</sup> | 6.43×10 <sup>2</sup> | 7.24×10 <sup>2</sup> | 8.04×10 <sup>2</sup> |
|              | Pull | 69.1                 | 1.04×10 <sup>2</sup> | 1.38×10 <sup>2</sup> | 2.07×10 <sup>2</sup> | 2.76×10 <sup>2</sup> | 3.46×10 <sup>2</sup> | 4.15×10 <sup>2</sup> | 4.84×10 <sup>2</sup> | 5.53×10 <sup>2</sup> | 6.22×10 <sup>2</sup> | 6.91×10 <sup>2</sup> |
| φ 40         | Push | 1.26×10 <sup>2</sup> | 1.88×10 <sup>2</sup> | 2.51×10 <sup>2</sup> | 3.77×10 <sup>2</sup> | 5.03×10 <sup>2</sup> | 6.28×10 <sup>2</sup> | 7.54×10 <sup>2</sup> | 8.80×10 <sup>2</sup> | 1.01×10 <sup>3</sup> | 1.13×10 <sup>3</sup> | 1.26×10 <sup>3</sup> |
|              | Pull | 1.06×10 <sup>2</sup> | 1.58×10 <sup>2</sup> | 2.11×10 <sup>2</sup> | 3.17×10 <sup>2</sup> | 4.22×10 <sup>2</sup> | 5.28×10 <sup>2</sup> | 6.33×10 <sup>2</sup> | 7.39×10 <sup>2</sup> | 8.44×10 <sup>2</sup> | 9.50×10 <sup>2</sup> | 1.06×10 <sup>3</sup> |
| φ 50         | Push | 1.96×10 <sup>2</sup> | 2.95×10 <sup>2</sup> | 3.93×10 <sup>2</sup> | 5.89×10 <sup>2</sup> | 7.85×10 <sup>2</sup> | 9.82×10 <sup>2</sup> | 1.18×10 <sup>3</sup> | 1.37×10 <sup>3</sup> | 1.57×10 <sup>3</sup> | 1.77×10 <sup>3</sup> | 1.96×10 <sup>3</sup> |
|              | Pull | 1.65×10 <sup>2</sup> | 2.47×10 <sup>2</sup> | 3.30×10 <sup>2</sup> | 4.95×10 <sup>2</sup> | 6.60×10 <sup>2</sup> | 8.25×10 <sup>2</sup> | 9.90×10 <sup>2</sup> | 1.15×10 <sup>3</sup> | 1.32×10 <sup>3</sup> | 1.48×10 <sup>3</sup> | 1.65×10 <sup>3</sup> |
| φ 63         | Push | 3.12×10 <sup>2</sup> | 4.68×10 <sup>2</sup> | 6.23×10 <sup>2</sup> | 9.35×10 <sup>2</sup> | 1.25×10 <sup>3</sup> | 1.56×10 <sup>3</sup> | 1.87×10 <sup>3</sup> | 2.18×10 <sup>3</sup> | 2.49×10 <sup>3</sup> | 2.81×10 <sup>3</sup> | 3.12×10 <sup>3</sup> |
|              | Pull | 2.80×10 <sup>2</sup> | 4.20×10 <sup>2</sup> | 5.61×10 <sup>2</sup> | 8.41×10 <sup>2</sup> | 1.12×10 <sup>3</sup> | 1.40×10 <sup>3</sup> | 1.68×10 <sup>3</sup> | 1.96×10 <sup>3</sup> | 2.24×10 <sup>3</sup> | 2.52×10 <sup>3</sup> | 2.80×10 <sup>3</sup> |
| φ 80         | Push | 5.03×10 <sup>2</sup> | 7.54×10 <sup>2</sup> | 1.01×10 <sup>3</sup> | 1.51×10 <sup>3</sup> | 2.01×10 <sup>3</sup> | 2.51×10 <sup>3</sup> | 3.02×10 <sup>3</sup> | 3.52×10 <sup>3</sup> | 4.02×10 <sup>3</sup> | 4.52×10 <sup>3</sup> | 5.03×10 <sup>3</sup> |
|              | Pull | 4.54×10 <sup>2</sup> | 6.80×10 <sup>2</sup> | 9.07×10 <sup>2</sup> | 1.36×10 <sup>3</sup> | 1.81×10 <sup>3</sup> | 2.27×10 <sup>3</sup> | 2.72×10 <sup>3</sup> | 3.17×10 <sup>3</sup> | 3.63×10 <sup>3</sup> | 4.08×10 <sup>3</sup> | 4.54×10 <sup>3</sup> |
| φ 100        | Push | 7.85×10 <sup>2</sup> | 1.18×10 <sup>3</sup> | 1.57×10 <sup>3</sup> | 2.36×10 <sup>3</sup> | 3.14×10 <sup>3</sup> | 3.93×10 <sup>3</sup> | 4.71×10 <sup>3</sup> | 5.50×10 <sup>3</sup> | 6.28×10 <sup>3</sup> | 7.07×10 <sup>3</sup> | 7.85×10 <sup>3</sup> |
|              | Pull | 7.15×10 <sup>2</sup> | 1.07×10 <sup>3</sup> | 1.43×10 <sup>3</sup> | 2.14×10 <sup>3</sup> | 2.86×10 <sup>3</sup> | 3.57×10 <sup>3</sup> | 4.29×10 <sup>3</sup> | 5.00×10 <sup>3</sup> | 5.72×10 <sup>3</sup> | 6.43×10 <sup>3</sup> | 7.15×10 <sup>3</sup> |

## 型號標示方法

無開關（內置開關用磁鐵）

**SCM-LB-40** **B-100** **J I**

附開關（內置開關用磁鐵）

**SCM-LB-40** **B-100-T2H-D** **J I**

**A** 安裝型式  
註1

**B** 氣缸內徑

**C** 配管螺牙種類

**D** 緩衝

**E** 行程

**F** 開關型號  
註4  
註5

**G** 開關數量

**H** 開關安裝方式

**I** 選購品  
註2  
註6  
註8

**J** 附屬品  
註9

### 選定型號時的注意事項

- 註1：安裝固定架將添附於產品內一併出貨。  
 註2：附防塵套且安裝固定架為LB、FA、TA時，為組裝後出貨。  
 註3：關於開關安裝數量及最小行程，請參閱第218頁。  
 註4：除了**F**所示的開關型號外，亦備有其他開關可供選擇。（接單生產）  
 註5：若氣缸內徑為φ20~φ40且開關安裝方式採導軌方式，將無法配置T8H/V開關。  
 註6：瞬間最高溫度是指火花或切削粉末等瞬間接觸到防塵套時的溫度。  
 註7：有關活塞桿前端外形製作規格，請參閱卷尾第85頁。  
 註8：開關安裝方式若選定「Z」，將無法選定添附開關導軌出貨「Q」之選項。  
 註9：無法同時選定「I」和「Y」。  
 註10：開關將添附於產品內一併出貨。如需組裝產品後出貨，請洽詢本公司。

### 〈型號標示範例〉

**SCM-LB-40B-100-T2H-D-JI**

機種：微型氣缸 複動型

- A** 安裝型式：軸向腳架型
- B** 氣缸內徑：φ40mm
- C** 配管螺牙種類：Rc螺牙
- D** 緩衝：附兩側空氣緩衝
- E** 行程：100mm
- F** 開關型號：無接點T2H開關、導線1m
- G** 開關數量：附2個
- H** 開關安裝方式：導軌方式
- I** 選購品：防塵套材質、最高環境溫度60°C用
- J** 附屬品：一山關節

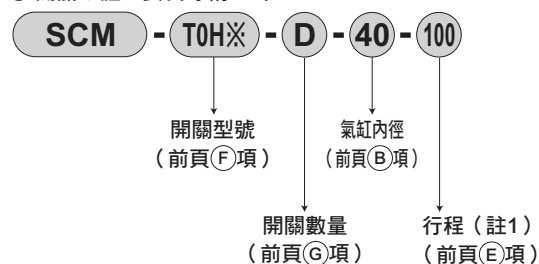
| 記號                 | 內容                       |         |       |        |               |    |    |    |     |
|--------------------|--------------------------|---------|-------|--------|---------------|----|----|----|-----|
| <b>A 安裝型式</b>      |                          |         |       |        |               |    |    |    |     |
|                    | 氣缸內徑 (φ)                 | 20      | 25    | 32     | 40            | 50 | 63 | 80 | 100 |
| 00                 | 基本型                      | ●       | ●     | ●      | ●             | ●  | ●  | ●  | ●   |
| LB                 | 軸向腳架型                    | ●       | ●     | ●      | ●             | ●  | ●  | ●  | ●   |
| FA                 | 活塞桿側法蘭型                  | ●       | ●     | ●      | ●             | ●  | ●  | ●  | ●   |
| FB                 | 頭蓋側法蘭型                   | ●       | ●     | ●      | ●             | ●  | ●  | ●  | ●   |
| CA                 | 一山吊耳型                    | ●       | ●     | ●      | ●             | ●  | ●  | ●  | ●   |
| CB                 | 二山吊耳型 (添附插銷及止環)          |         |       |        |               |    |    | ●  | ●   |
| TA                 | 活塞桿側耳軸型                  | ●       | ●     | ●      | ●             | ●  | ●  |    |     |
| TB                 | 頭蓋側耳軸型                   | ●       | ●     | ●      | ●             | ●  | ●  |    |     |
| <b>B 氣缸內徑 (mm)</b> |                          |         |       |        |               |    |    |    |     |
| 20                 | φ20                      |         |       |        |               |    |    |    |     |
| 25                 | φ25                      |         |       |        |               |    |    |    |     |
| 32                 | φ32                      |         |       |        |               |    |    |    |     |
| 40                 | φ40                      |         |       |        |               |    |    |    |     |
| 50                 | φ50                      |         |       |        |               |    |    |    |     |
| 63                 | φ63                      |         |       |        |               |    |    |    |     |
| 80                 | φ80                      |         |       |        |               |    |    |    |     |
| 100                | φ100                     |         |       |        |               |    |    |    |     |
| <b>C 配管螺牙種類</b>    |                          |         |       |        |               |    |    |    |     |
| 無記號                | Rc螺牙                     |         |       |        |               |    |    |    |     |
| N                  | NPT螺牙 (接單生產) 附空氣緩衝為φ32以上 |         |       |        |               |    |    |    |     |
| G                  | G螺牙 (接單生產) 附空氣緩衝為φ32以上   |         |       |        |               |    |    |    |     |
| <b>D 緩衝</b>        |                          |         |       |        |               |    |    |    |     |
| B                  | 附兩側空氣緩衝                  |         |       |        |               |    |    |    |     |
| R                  | 活塞桿側附空氣緩衝                |         |       |        |               |    |    |    |     |
| H                  | 頭蓋側附空氣緩衝                 |         |       |        |               |    |    |    |     |
| D                  | 附兩側橡膠緩衝                  |         |       |        |               |    |    |    |     |
| <b>E 行程 (mm)</b>   |                          |         |       |        |               |    |    |    |     |
|                    | 氣缸內徑                     | 行程註2    |       |        | 中間行程          |    |    |    |     |
|                    | φ20~φ32                  | 10~1000 |       |        | 以1mm為單位       |    |    |    |     |
|                    | φ40~φ100                 | 10~1500 |       |        |               |    |    |    |     |
| <b>F 開關型號</b>      |                          |         |       |        |               |    |    |    |     |
|                    | 導線直型                     | 導線L型    | 接點    | 電壓     | 顯示            |    |    | 導線 |     |
|                    |                          |         | AC DC |        |               |    |    |    |     |
|                    | T0H※                     | T0V※    | 有接點   | ● ●    | 單色顯示方式        |    |    | 2線 |     |
|                    | T5H※                     | T5V※    | ● ●   | 無顯示燈   |               |    |    |    |     |
|                    | T8H※                     | T8V※    | ● ●   | 單色顯示方式 |               |    |    |    |     |
|                    | T1H※                     | T1V※    | ●     | 無接點    | 單色顯示方式        |    |    | 2線 |     |
|                    | T2H※                     | T2V※    | ●     |        | 單色顯示方式 (接單生產) |    |    |    |     |
|                    | T3H※                     | T3V※    | ●     |        | 單色顯示方式 (接單生產) |    |    |    |     |
|                    | T2WH※                    | T2WV※   | ●     | 無接點    | 雙色顯示方式        |    |    | 2線 |     |
|                    | T2YH※                    | T2YV※   | ●     |        | 雙色顯示方式        |    |    |    |     |
|                    | T3WH※                    | T3WV※   | ●     |        | 雙色顯示方式        |    |    |    |     |
|                    | T3YH※                    | T3YV※   | ●     | 無接點    | 雙色顯示方式        |    |    | 3線 |     |
|                    | T2YD※                    | -       | ●     |        | 雙色顯示方式        |    |    |    |     |
|                    | T2YDT※                   | -       | ●     |        | 交流磁場用         |    |    |    |     |
|                    | T2JH※                    | T2JV※   | ●     | ●      | 單色顯示方式斷電延遲型   |    |    | 2線 |     |
| ※導線長度              |                          |         |       |        |               |    |    |    |     |
| 無記號                | 1m (標準)                  |         |       |        |               |    |    |    |     |
| 3                  | 3m (選購品)                 |         |       |        |               |    |    |    |     |
| 5                  | 5m (選購品)                 |         |       |        |               |    |    |    |     |
| <b>G 開關數量</b>      |                          |         |       |        |               |    |    |    |     |
| R                  | 活塞桿側附1個                  |         |       |        |               |    |    |    |     |
| H                  | 頭蓋側附1個                   |         |       |        |               |    |    |    |     |
| D                  | 附2個                      |         |       |        |               |    |    |    |     |
| T                  | 附3個                      |         |       |        |               |    |    |    |     |
| 4                  | 附4個 (如為4個以上, 則加入開關數量)    |         |       |        |               |    |    |    |     |
| <b>H 開關安裝方式</b>    |                          |         |       |        |               |    |    |    |     |
| 無記號                | 導軌方式                     |         |       |        |               |    |    |    |     |
| Z                  | 綁帶方式                     |         |       |        |               |    |    |    |     |
| <b>I 選購品</b>       |                          |         |       |        |               |    |    |    |     |
|                    |                          | 最高環境溫度  |       |        | 瞬間最高溫度        |    |    |    |     |
| J                  | 防塵套                      | 60°C    |       |        | 100°C         |    |    |    |     |
| K                  | 防塵套                      | 100°C   |       |        | 200°C         |    |    |    |     |
| L                  | 防塵套                      | 250°C   |       |        | 400°C         |    |    |    |     |
| Q                  | 開關導軌添附出貨                 |         |       |        |               |    |    |    |     |
| M                  | 活塞桿材質 (不鏽鋼)              |         |       |        |               |    |    |    |     |
| P6                 | 銅離子防止處理                  |         |       |        |               |    |    |    |     |
| <b>J 附屬品</b>       |                          |         |       |        |               |    |    |    |     |
|                    | 氣缸內徑 (φ)                 | 20      | 25    | 32     | 40            | 50 | 63 | 80 | 100 |
| I                  | 一山關節                     | ●       | ●     | ●      | ●             | ●  | ●  | ●  | ●   |
| Y                  | 二山關節 (添附插銷及止環)           | ●       | ●     | ●      | ●             | ●  | ●  | ●  | ●   |
| B1                 | 一山固定架                    |         |       |        |               |    |    | ●  | ●   |
| B2                 | 二山固定架                    | ●       | ●     | ●      | ●             | ●  | ●  |    |     |



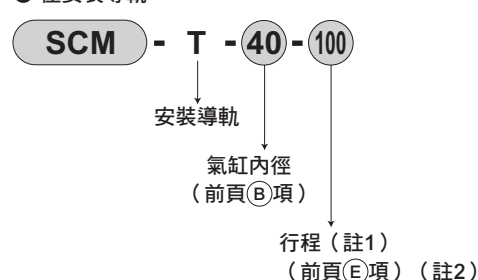
## 開關單品型號標示方法

〈開關安裝方式：導軌方式〉

- 開關本體+安裝導軌一式



- 僅安裝導軌

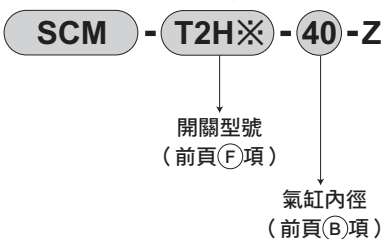


註1：行程超出300mm者請標示X。  
行程超出300mm時，每個開關將添附1支短導軌（開關調整移動距離為100mm）。

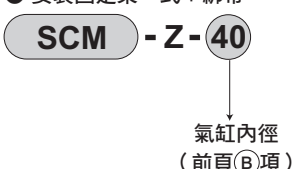
註2：僅安裝導軌且標示為X時，請依照所使用的開關數量訂購相同數量的導軌。

〈開關安裝方式：綁帶方式〉

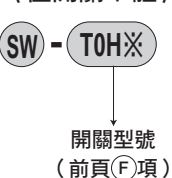
- 開關本體+安裝固定架一式+綁帶



- 安裝固定架一式+綁帶



〈僅開關本體〉



### 無塵室規格 (型錄編號：CB-033S)

- 防止發塵的構造，可適用於無塵室環境

SCM - ..... - P7※

SCM - ..... - P5※

### 因應二次電池規格 (型錄編號：CC-1226)

- 適用於二次電池製程之結構。

SCM - ..... - P4※

※詳情請另行洽詢本公司。

## 安裝固定架型號標示方法

| 氣缸內徑 (mm)   | φ 20      | φ 25      | φ 32      | φ 40      | φ 50      | φ 63      | φ 80      | φ 100      |
|-------------|-----------|-----------|-----------|-----------|-----------|-----------|-----------|------------|
| 腳架 (LB)     | SCM-LB-20 | SCM-LB-25 | SCM-LB-32 | SCM-LB-40 | SCM-LB-50 | SCM-LB-63 | SCM-LB-80 | SCM-LB-100 |
| 法蘭 (FA/FB)  | SCM-FA-20 | SCM-FA-25 | SCM-FA-32 | SCM-FA-40 | SCM-FA-50 | SCM-FA-63 | SCM-FA-80 | SCM-FA-100 |
| 一山吊耳 (CA)   | SCM-CA-20 | SCM-CA-25 | SCM-CA-32 | SCM-CA-40 | SCM-CA-50 | SCM-CA-63 | -         | -          |
| 二山吊耳 (CB)   | -         | -         | -         | -         | -         | -         | SCM-CB-80 | SCM-CB-100 |
| 耳軸型 (TA/TB) | SCM-TA-20 | SCM-TA-25 | SCM-TA-32 | SCM-TA-40 | SCM-TA-50 | SCM-TA-63 | -         | -          |

註1：各安裝固定架皆有添附安裝用螺栓。  
註2：腳架型安裝固定架為每組2個。

## 安裝固定架的材質

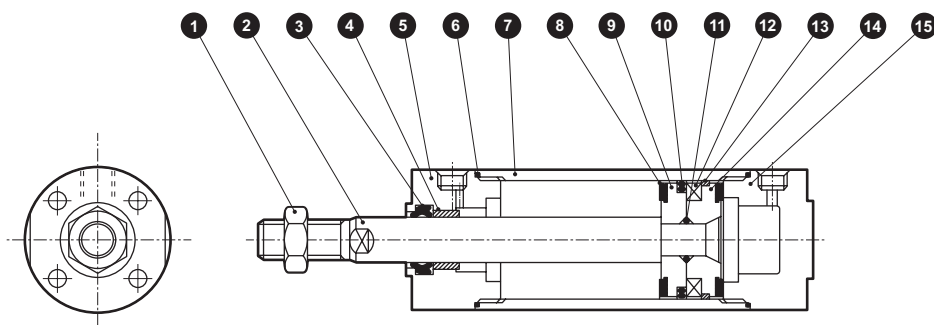
| 安裝型式  | 材質 |
|-------|----|
| LB    | 鋼  |
| FA・FB | 鋁  |
| TA・TB | 鋼  |
| CA    | 鋼  |
| CB    | 鑄鐵 |

註：安裝固定架添附於產品內一併出貨。  
不過，若選擇防塵套型且安裝固定架為LB、FA、TA，選擇SCM-P且安裝固定架為LB、FB、TB，選擇SCM-R且安裝固定架為LB、FB、TB，則為出貨時已組裝。

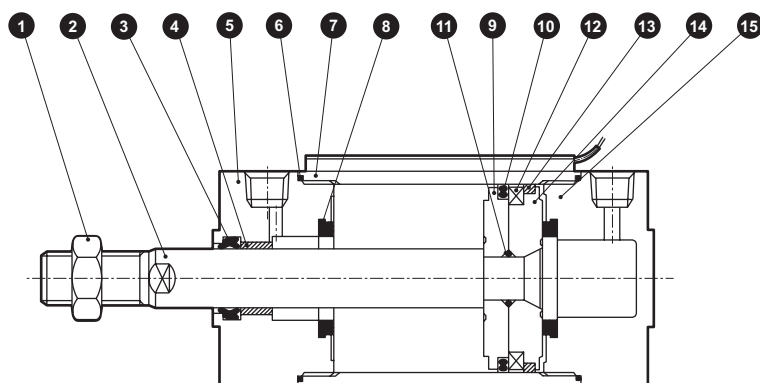
- SCP※3
- CMK2
- CMA2
- SCM
- SCG
- SCA2
- SCS2
- CKV2
- CAV2・COV/PIN2
- SSD2
- SSG
- SSD
- CAT
- MDC2
- MVC
- SMG
- MSD・MSDG
- FC※
- STK
- SRL3
- SRG3
- SRM3
- SRT3
- MRL2
- MRG2
- SM-25
- 緩衝器
- FJ
- FK
- 調速閥
- 卷尾

## 內部結構及零件一覽表（附橡膠緩衝）

● φ 20～φ 40



● φ 50～φ 100



| 編號 | 零件名稱  | 材質                            | 備註    | 編號 | 零件名稱 | 材質                                | 備註 |
|----|-------|-------------------------------|-------|----|------|-----------------------------------|----|
| 1  | 活塞桿螺帽 | 鋼                             | 鍍鍍    | 9  | 活塞R  | φ 20～φ 40：鋁合金<br>φ 50～φ 100：鋁合金壓鑄 |    |
| 2  | 活塞桿   | φ 20、φ 25：不鏽鋼<br>φ 32～φ 100：鋼 | 工業用鍍鉻 | 10 | 活塞墊圈 | 丁腈橡膠                              |    |
| 3  | 活塞桿墊圈 | 丁腈橡膠                          |       | 11 | 活塞墊圈 | 丁腈橡膠                              |    |
| 4  | 軸套    | 含油軸承合金 <sup>註1</sup>          |       | 12 | 磁鐵   | 塑料                                |    |
| 5  | 活塞桿蓋  | 鋁合金 <sup>註2</sup>             | 烤漆    | 13 | 耐磨環  | 聚縮醛樹脂                             |    |
| 6  | 氣缸墊圈  | 丁腈橡膠                          |       | 14 | 活塞H  | φ 20～φ 40：鋁合金<br>φ 50～φ 100：鋁合金壓鑄 |    |
| 7  | 缸管    | 鋁合金                           | 硬質耐酸鋁 | 15 | 頭蓋   | 鋁合金 <sup>註2</sup>                 | 烤漆 |
| 8  | 緩衝橡膠  | 聚氨酯橡膠                         |       |    |      |                                   |    |

註1：銅離子防止處理規格所採用的材質為含油鑄鐵製軸承。

註2：φ 50、φ 63的材質為鋁合金壓鑄。

## 消耗性零件一覽表

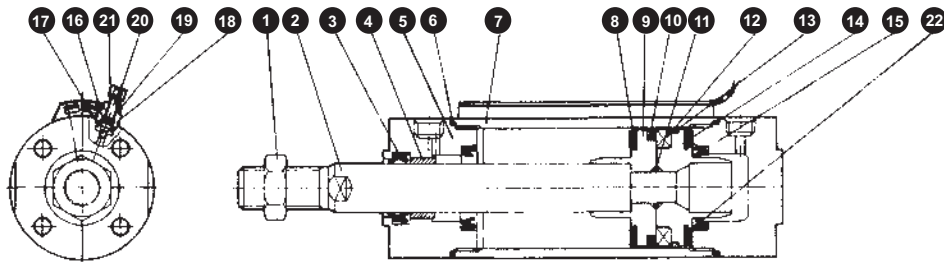
附橡膠緩衝時

| 氣缸內徑 (mm) | 套件編號      | 消耗性零件編號     |
|-----------|-----------|-------------|
| φ 20      | SCM-20DK  | 3 6 8 10 13 |
| φ 25      | SCM-25DK  |             |
| φ 32      | SCM-32DK  |             |
| φ 40      | SCM-40DK  |             |
| φ 50      | SCM-50DK  |             |
| φ 63      | SCM-63DK  |             |
| φ 80      | SCM-80DK  |             |
| φ 100     | SCM-100DK |             |

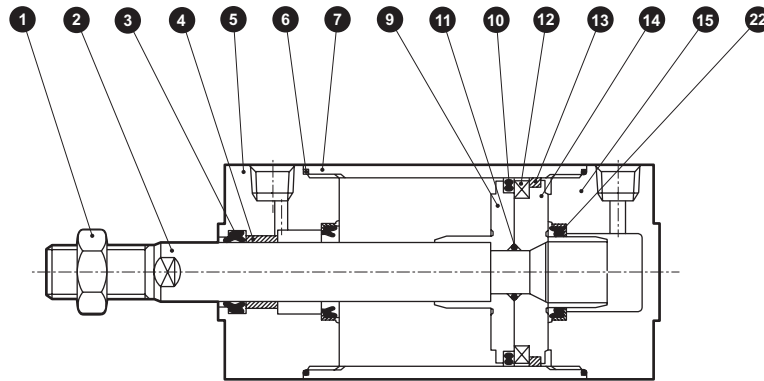
註1：訂購時請指定套件編號。

## 內部結構及零件一覽表 (附空氣緩衝)

● φ20~φ40



● φ50~φ100



| 編號 | 零件名稱  | 材質                           | 備註    | 編號 | 零件名稱  | 材質                            | 備註  |
|----|-------|------------------------------|-------|----|-------|-------------------------------|-----|
| 1  | 活塞桿螺帽 | 鋼                            | 鍍鋅    | 12 | 磁鐵    | 塑料                            |     |
| 2  | 活塞桿   | φ20、φ25：不鏽鋼<br>φ32~φ100：鋼    | 工業用鍍鉻 | 13 | 耐磨環   | 聚縮醛樹脂                         |     |
| 3  | 活塞桿墊圈 | 丁腈橡膠                         |       | 14 | 活塞H   | φ20~φ40：鋁合金<br>φ50~φ100：鋁合金壓鑄 |     |
| 4  | 軸套    | 含油軸承合金 <sup>註1</sup>         |       | 15 | 頭蓋    | 鋁合金 <sup>註2</sup>             | 烤漆  |
| 5  | 活塞桿蓋  | 鋁合金 <sup>註2</sup>            | 烤漆    | 16 | 針閥座   | 丁腈橡膠                          |     |
| 6  | 氣缸墊圈  | 丁腈橡膠                         |       | 17 | 固定器墊片 | 丁腈橡膠                          |     |
| 7  | 缸管    | 鋁合金                          | 硬質耐酸鋁 | 18 | 針閥固定器 | 鋁合金                           |     |
| 8  | 緩衝橡膠  | 聚氨酯橡膠                        |       | 19 | 鎖定螺帽  | 鋼                             | 鍍鋅  |
| 9  | 活塞R   | 20~φ40：鋁合金<br>φ50~φ100：鋁合金壓鑄 |       | 20 | 針閥    | 不鏽鋼                           |     |
| 10 | 活塞墊圈  | 丁腈橡膠                         |       | 21 | 旋鈕    | 鋁合金                           | 鉻酸鹽 |
| 11 | 活塞墊圈  | 丁腈橡膠                         |       | 22 | 緩衝墊圈  | 丁腈橡膠、鋼                        |     |

註1：銅離子防止處理規格所採用的材質為含油鑄鐵製軸承。  
註2：φ50、φ63的材質為鋁合金壓鑄。

## 消耗性零件一覽表

附空氣緩衝時

| 氣缸內徑 (mm) | 套件編號      | 消耗性零件編號                                    |
|-----------|-----------|--|
| φ20       | SCM-20BK  | 註2<br>● 3 ● 6 ● 8 ● 10 ● 13 ● 16 ● 17 ● 22 |
| φ25       | SCM-25BK  |  |
| φ32       | SCM-32BK  |  |
| φ40       | SCM-40BK  |  |
| φ50       | SCM-50BK  |  |
| φ63       | SCM-63BK  |  |
| φ80       | SCM-80BK  |  |
| φ100      | SCM-100BK |  |

註1：訂購時請指定套件編號。  
註2：φ50~φ100不含●8。

SCP※3

CMK2

CMA2

SCM

SCG

SCA2

SCS2

CKV2

CAV2・COV/PIN2

SSD2

SSG

SSD

CAT

MDC2

MVC

SMG

MSD・MSDG

FC※

STK

SRL3

SRG3

SRM3

SRT3

MRL2

MRG2

SM-25

緩衝器

FJ

FK

調速閥

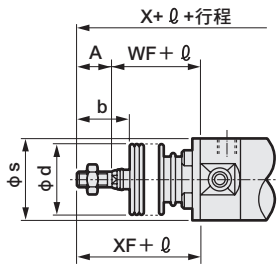
卷尾

## 外形尺寸圖

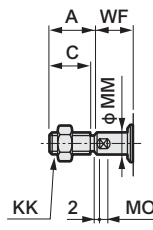
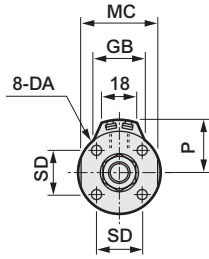


● 基本型 (00)  $\phi 20 \sim \phi 100$   
 <附橡膠緩衝>

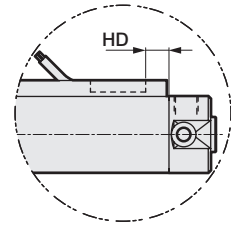
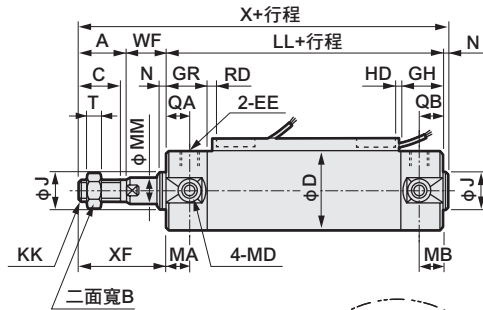
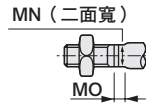
● 開關安裝方式：導軌方式



防防塵套



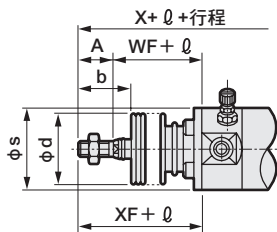
$\phi 20 \cdot \phi 25$   
 活塞桿部



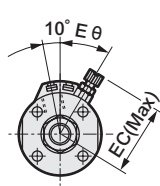
T2W、T3W時

<附空氣緩衝>

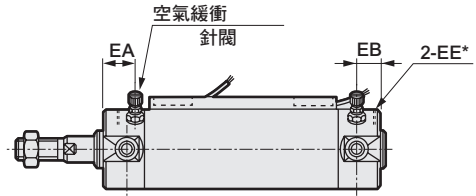
● 開關安裝方式：導軌方式



防防塵套



$\phi 20 \cdot \phi 25$   
 活塞桿部



註1： $\phi 20$ 、 $\phi 25$ 的配管孔口 (EE) 不同。詳情請參閱空氣緩衝尺寸表 (EE\*)。

註2：雙色顯示方式、斷電延遲式、交流磁場用、T1H/V、T8H/V開關的RD、HD、突出尺寸等，請參閱第329頁。

註3：附屬品的外形尺寸圖請參閱第238、239頁。

| 記號   | 基本型 (00) 基本尺寸 |    |    |    |     |         |       |        |    |    |          |     |    |    |     |     |    |    |     |    |    |    |      |
|------|---------------|----|----|----|-----|---------|-------|--------|----|----|----------|-----|----|----|-----|-----|----|----|-----|----|----|----|------|
|      | 氣缸內徑 (mm)     |    | A  | B  | C   | D       | DA    | EE (註) | GH | GR | J        | KK  | LL | MA | MB  | MC  | MD | MM | MN  | MO | N  | QA | QB   |
| SRG3 | $\phi 20$     | 18 | 13 | 16 | 26  | M4深度6.5 | Rc1/8 | 17     | 19 | 12 | M8       | 69  | 11 | 11 | 24  | M5  | 8  | 6  | 4   | 2  | 12 | 10 | 14   |
|      | $\phi 25$     | 22 | 17 | 20 | 31  | M5深度6.5 | Rc1/8 | 17     | 19 | 14 | M10×1.25 | 69  | 11 | 11 | 29  | M6  | 10 | 8  | 5   | 2  | 12 | 10 | 16.5 |
|      | $\phi 32$     | 22 | 17 | 20 | 38  | M5深度7.5 | Rc1/8 | 17     | 19 | 18 | M10×1.25 | 71  | 11 | 10 | 36  | M8  | 12 | 10 | 5.5 | 2  | 12 | 10 | 20   |
| SRM3 | $\phi 40$     | 30 | 22 | 27 | 47  | M6深度12  | Rc1/8 | 19     | 20 | 25 | M14×1.5  | 78  | 12 | 10 | 44  | M10 | 16 | 14 | 6   | 2  | 13 | 12 | 26   |
|      | $\phi 50$     | 35 | 27 | 32 | 58  | M8深度16  | Rc1/4 | 22     | 25 | 30 | M18×1.5  | 90  | 13 | 12 | 55  | M12 | 20 | 17 | 8   | 2  | 15 | 12 | 32   |
| SRT3 | $\phi 63$     | 35 | 27 | 32 | 72  | M10深度16 | Rc1/4 | 22     | 25 | 32 | M18×1.5  | 90  | 13 | 12 | 69  | M14 | 20 | 17 | 8   | 2  | 15 | 12 | 38   |
|      | $\phi 80$     | 40 | 32 | 37 | 89  | M10深度22 | Rc3/8 | 28     | 28 | 40 | M22×1.5  | 108 | -  | -  | 80  | -   | 25 | 22 | 11  | 3  | 15 | 15 | 50   |
| MRL2 | $\phi 100$    | 40 | 41 | 37 | 110 | M12深度22 | Rc1/2 | 28     | 28 | 50 | M26×1.5  | 108 | -  | -  | 100 | -   | 30 | 27 | 13  | 3  | 15 | 15 | 60   |

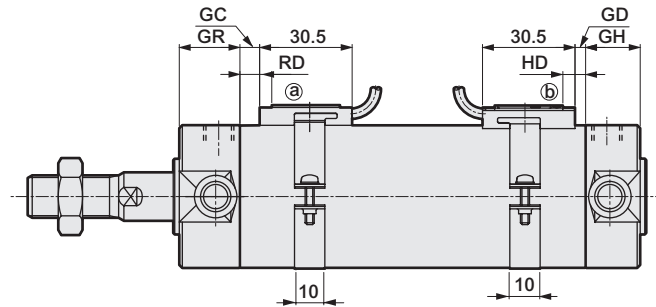
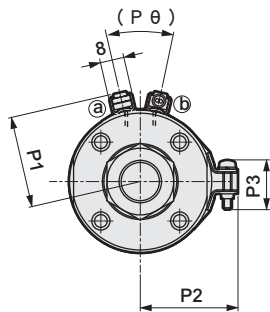
| 記號    | 氣缸內徑 (mm)  | 防防塵套 |    |     |    |      |    |       | 附空氣緩衝          |      |      |      |         | 開關安裝方式：導軌方式 |      |      |       |                  |            |       |                  |            |
|-------|------------|------|----|-----|----|------|----|-------|----------------|------|------|------|---------|-------------|------|------|-------|------------------|------------|-------|------------------|------------|
|       |            | T    | WF | X   | XF | b    | d  | s     | $\ell$         | EA   | EB   | EC   | EE* (註) | E $\theta$  | P    | GB   | HD    |                  |            | RD    |                  |            |
|       |            |      |    |     |    |      |    |       |                |      |      |      |         |             |      |      | T0/T5 | T2/T2R<br>T3/T3P | T2W<br>T3W | T0/T5 | T2/T2R<br>T3/T3P | T2W<br>T3W |
| SM-25 | $\phi 20$  | 5    | 17 | 106 | 35 | 30   | 30 | 25.7  | (行程/3) +18.5   | 14   | 12   | 27   | M5      | 30°         | 19.5 | 23   | 3.0   | 6.5              | 8.5        | 7.5   | 7.5              | 9.5        |
|       | $\phi 25$  | 6    | 18 | 111 | 40 | 35   | 30 | 30.7  | (行程/3) +20.5   | 14   | 12   | 29.5 | M5      | 30°         | 22   | 24.4 | 2.0   | 5.5              | 7.5        | 8.5   | 8.5              | 10.5       |
| 緩衝器   | $\phi 32$  | 6    | 18 | 113 | 40 | 31.5 | 35 | 37.7  | (行程/3) +19     | 14   | 12   | 32.8 | Rc1/8   | 25°         | 25.5 | 25   | 3.0   | 6.5              | 8.5        | 9.5   | 9.5              | 11.5       |
|       | $\phi 40$  | 8    | 20 | 130 | 50 | 40   | 35 | 46.7  | (行程/3) +18.5   | 15   | 12   | 36.6 | Rc1/8   | 20°         | 30   | 25.7 | 5.0   | 8.5              | 10.5       | 11.5  | 11.5             | 13.5       |
| FJ    | $\phi 50$  | 11   | 23 | 150 | 58 | 46   | 40 | 57.7  | (行程/3.6) +18.5 | 18.5 | 15.5 | 43   | Rc1/4   | 20°         | 35.5 | 26.2 | 7.5   | 11.0             | 13.0       | 13.0  | 13.0             | 15.0       |
|       | $\phi 63$  | 11   | 23 | 150 | 58 | 46   | 40 | 71.7  | (行程/3.6) +18.5 | 18.5 | 15.5 | 50   | Rc1/4   | 20°         | 42.5 | 26.5 | 7.5   | 11.0             | 13.0       | 13.0  | 13.0             | 15.0       |
| FK    | $\phi 80$  | 13   | 31 | 182 | 71 | 55   | 50 | 88.7  | (行程/4.3) +14.5 | 20   | 20   | 58.5 | Rc3/8   | 20°         | 51   | 26.7 | 9.5   | 13.0             | 15.0       | 20.0  | 20.0             | 22.0       |
| 調速閥   | $\phi 100$ | 16   | 31 | 182 | 71 | 56   | 60 | 109.7 | (行程/4.5) +21   | 20   | 20   | 69   | Rc1/2   | 20°         | 61.5 | 26.7 | 10.0  | 13.5             | 15.5       | 19.5  | 19.5             | 21.5       |

## 外形尺寸圖



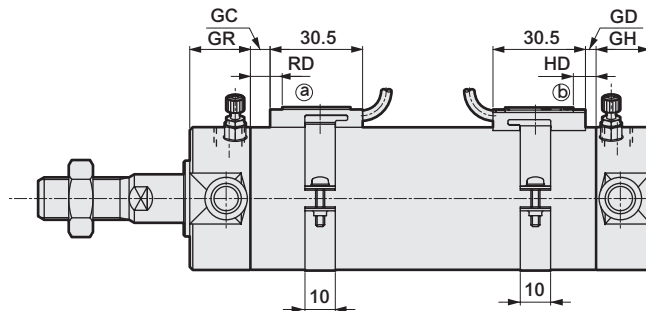
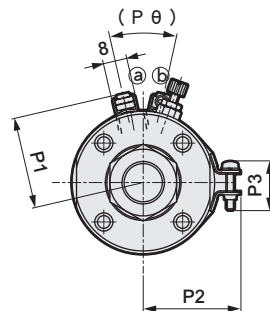
● 基本型 (00)  $\phi 20 \sim \phi 100$   
 <附橡膠緩衝>

• 開關安裝方式：綁帶方式



<附空氣緩衝>

• 開關安裝方式：綁帶方式



註1：雙色顯示方式、斷電延遲式、交流磁場用、T1H/V、T8H/V開關的RD、HD、突出尺寸等，請參閱第329頁。  
 註2：附屬品的外形尺寸圖請參閱第238、239頁。

| 記號         | 開關安裝方式：綁帶方式 |       |         |       |       |         |    |    |       |       |         |       |       |         |      |      |    |       |
|------------|-------------|-------|---------|-------|-------|---------|----|----|-------|-------|---------|-------|-------|---------|------|------|----|-------|
|            | GD          |       |         | GC    |       |         | GH | GR | HD    |       |         | RD    |       |         | P1   | P2   | P3 | Pθ    |
|            | T0/T5       | T2,T3 | T2W/T3W | T0/T5 | T2,T3 | T2W/T3W |    |    | T0/T5 | T2,T3 | T2W/T3W | T0/T5 | T2,T3 | T2W/T3W |      |      |    |       |
| $\phi 20$  | 2.5         | 2.5   | 4.5     | 3.5   | 3.5   | 5.5     | 17 | 19 | 6.5   | 6.5   | 8.5     | 7.5   | 7.5   | 9.5     | 19.6 | 21.5 | 14 | (38°) |
| $\phi 25$  | 1.5         | 1.5   | 3.5     | 4.5   | 4.5   | 6.5     | 17 | 19 | 5.5   | 5.5   | 7.5     | 8.5   | 8.5   | 10.5    | 22.1 | 23.9 | 14 | (34°) |
| $\phi 32$  | 2.5         | 2.5   | 4.5     | 5.5   | 5.5   | 7.5     | 17 | 19 | 6.5   | 6.5   | 8.5     | 9.5   | 9.5   | 11.5    | 25.6 | 27.6 | 16 | (30°) |
| $\phi 40$  | 4.5         | 4.5   | 6.5     | 7.5   | 7.5   | 9.5     | 19 | 20 | 8.5   | 8.5   | 10.5    | 11.5  | 11.5  | 13.5    | 30.2 | 32.1 | 16 | (26°) |
| $\phi 50$  | 7.0         | 7.0   | 9.0     | 9.0   | 9.0   | 11.0    | 22 | 25 | 11.0  | 11.0  | 13.0    | 13.0  | 13.0  | 15.0    | 35.7 | 37.4 | 16 | (22°) |
| $\phi 63$  | 7.0         | 7.0   | 9.0     | 9.0   | 9.0   | 11.0    | 22 | 25 | 11.0  | 11.0  | 13.0    | 13.0  | 13.0  | 15.0    | 42.7 | 44.4 | 16 | (20°) |
| $\phi 80$  | 9.0         | 9.0   | 11.0    | 16.0  | 16.0  | 18.0    | 28 | 28 | 13.0  | 13.0  | 15.0    | 20.0  | 20.0  | 22.0    | 51.2 | 53.0 | 16 | (16°) |
| $\phi 100$ | 9.5         | 9.5   | 11.5    | 15.5  | 15.5  | 17.5    | 28 | 28 | 13.5  | 13.5  | 15.5    | 19.5  | 19.5  | 21.5    | 61.7 | 63.5 | 16 | (16°) |

SCP※3

CMK2

CMA2

SCM

SCG

SCA2

SCS2

CKV2

CAV2・COVPIN2

SSD2

SSG

SSD

CAT

MDC2

MVC

SMG

MSD・MSDG

FC※

STK

SRL3

SRG3

SRM3

SRT3

MRL2

MRG2

SM-25

緩衝器

FJ

FK

調速閥

卷尾

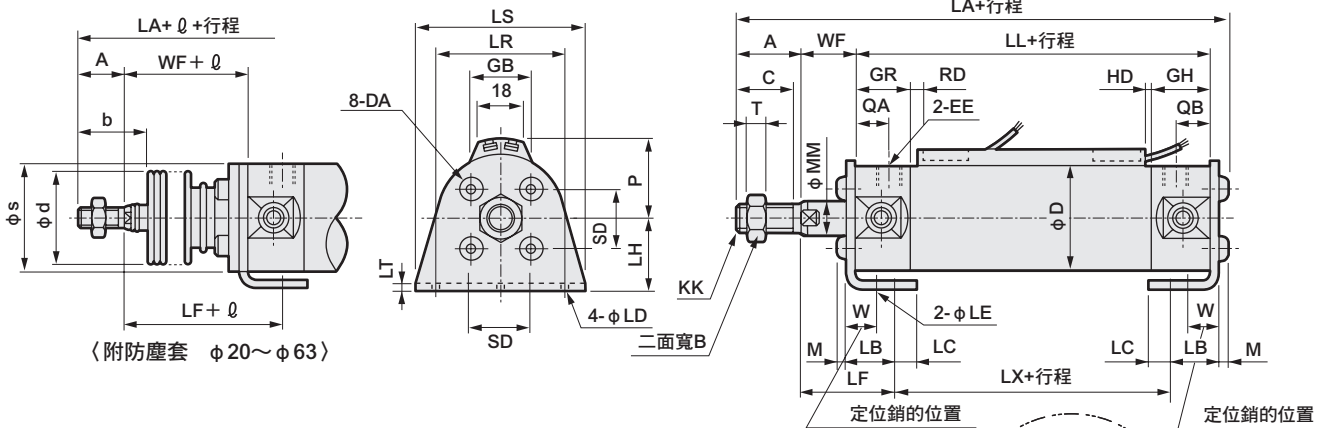


## 外形尺寸圖



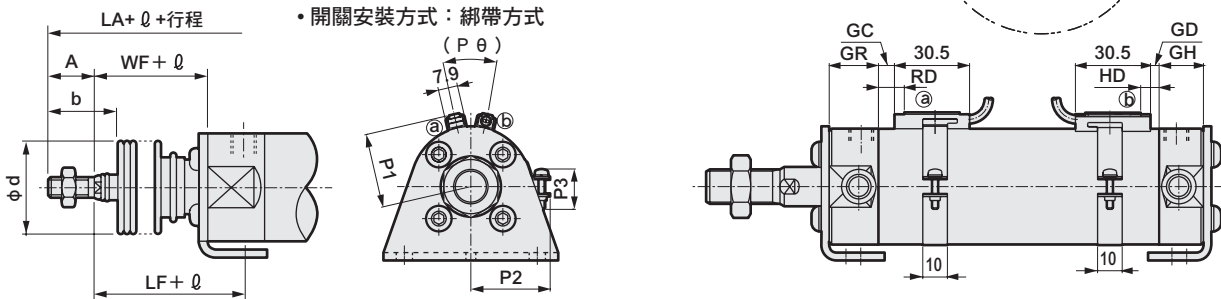
### ● 軸向腳架型 (LB)

• 開關安裝方式：導軌方式



〈附防塵套 φ20~φ63〉

• 開關安裝方式：綁帶方式



〈附防塵套 φ80、φ100〉

| 記號    | 軸向腳架型 (LB) 基本尺寸 |    |      |     |     |       |    |    |          |       |      |     |     |   |      |    |     |     |     |     |      |     |    |
|-------|-----------------|----|------|-----|-----|-------|----|----|----------|-------|------|-----|-----|---|------|----|-----|-----|-----|-----|------|-----|----|
|       | 氣缸內徑 (mm)       |    |      |     |     |       |    |    |          |       |      |     |     |   |      |    |     |     |     |     |      |     |    |
| φ 20  | 18              | 13 | 15.5 | 26  | M4  | Rc1/8 | 17 | 19 | M8       | 109.8 | 15.1 | 7.1 | 5.7 | 4 | 28.9 | 20 | 69  | 32  | 44  | 3.2 | 45.2 | 2.6 | 8  |
| φ 25  | 22              | 17 | 19.5 | 31  | M5  | Rc1/8 | 17 | 19 | M10×1.25 | 115.6 | 15.1 | 7.1 | 5.7 | 4 | 29.9 | 22 | 69  | 36  | 49  | 3.2 | 45.2 | 3.4 | 10 |
| φ 32  | 22              | 17 | 19.5 | 38  | M5  | Rc1/8 | 17 | 19 | M10×1.25 | 117.6 | 16.1 | 8.1 | 6.8 | 4 | 30.9 | 25 | 71  | 44  | 58  | 3.2 | 45.2 | 3.4 | 12 |
| φ 40  | 30              | 22 | 27   | 47  | M6  | Rc1/8 | 19 | 20 | M14×1.5  | 135.2 | 16.6 | 9.1 | 6.8 | 4 | 33.4 | 30 | 78  | 54  | 71  | 3.2 | 51.2 | 4   | 16 |
| φ 50  | 35              | 27 | 32   | 58  | M8  | Rc1/4 | 22 | 25 | M18×1.5  | 157.5 | 22   | 11  | 9   | 5 | 40.5 | 40 | 90  | 66  | 86  | 4.5 | 55   | 5   | 20 |
| φ 63  | 35              | 27 | 32   | 72  | M10 | Rc1/4 | 22 | 25 | M18×1.5  | 157.5 | 22   | 13  | 11  | 5 | 40.5 | 45 | 90  | 82  | 106 | 4.5 | 55   | 5   | 20 |
| φ 80  | 40              | 32 | 37   | 89  | M10 | Rc3/8 | 28 | 28 | M22×1.5  | 189.5 | 28.5 | 14  | 11  | 6 | 55   | 55 | 108 | 100 | 125 | 4.5 | 60   | 6   | 25 |
| φ 100 | 40              | 41 | 37   | 110 | M12 | Rc1/2 | 28 | 28 | M26×1.5  | 192   | 30   | 16  | 14  | 6 | 55   | 65 | 108 | 120 | 150 | 6   | 60   | 7   | 30 |

| 記號    | 防塵套 |    |      |    |      |    |      |    |      |               | 開關安裝方式：導軌方式 |      |      |      |      |      | 開關安裝方式：綁帶方式 |      |     |     |      |      |      |
|-------|-----|----|------|----|------|----|------|----|------|---------------|-------------|------|------|------|------|------|-------------|------|-----|-----|------|------|------|
|       | QA  | QB | SD   | T  | W    | WF | b    | d  | s    | φ             | P           | GB   | HD   |      |      | RD   |             |      | GD  |     |      | GC   |      |
| φ 20  | 12  | 10 | 14   | 5  | 10   | 17 | 30   | 30 | 25.7 | (行程/3)+18.5   | 19.5        | 23   | 3.0  | 6.5  | 8.5  | 7.5  | 9.5         | 2.5  | 2.5 | 4.5 | 3.5  | 5.5  | 5.5  |
| φ 25  | 12  | 10 | 16.5 | 6  | 10   | 18 | 35   | 30 | 30.7 | (行程/3)+20.5   | 22          | 24.4 | 2.0  | 5.5  | 7.5  | 8.5  | 8.5         | 10.5 | 1.5 | 1.5 | 3.5  | 4.5  | 6.5  |
| φ 32  | 12  | 10 | 20   | 6  | 10   | 18 | 31.5 | 35 | 37.7 | (行程/3)+19     | 25.5        | 25   | 3.0  | 6.5  | 8.5  | 9.5  | 9.5         | 11.5 | 2.5 | 2.5 | 4.5  | 5.5  | 7.5  |
| φ 40  | 13  | 12 | 26   | 8  | 10   | 20 | 40   | 35 | 46.7 | (行程/3)+18.5   | 30          | 25.7 | 5.0  | 8.5  | 10.5 | 11.5 | 11.5        | 13.5 | 4.5 | 4.5 | 6.5  | 7.5  | 9.5  |
| φ 50  | 15  | 12 | 32   | 11 | 17.5 | 23 | 46   | 40 | 57.7 | (行程/3.6)+18.5 | 35.5        | 26.2 | 7.5  | 11.0 | 13.0 | 13.0 | 13.0        | 15.0 | 7.0 | 7.0 | 9.0  | 9.0  | 11.0 |
| φ 63  | 15  | 12 | 38   | 11 | 17.5 | 23 | 46   | 40 | 71.7 | (行程/3.6)+18.5 | 42.5        | 26.5 | 7.5  | 11.0 | 13.0 | 13.0 | 13.0        | 15.0 | 7.0 | 7.0 | 9.0  | 9.0  | 11.0 |
| φ 80  | 15  | 15 | 50   | 13 | 20   | 31 | 55   | 50 | -    | (行程/4.3)+14.5 | 51          | 26.7 | 9.5  | 13.0 | 15.0 | 20.0 | 20.0        | 22.0 | 9.0 | 9.0 | 11.0 | 16.0 | 18.0 |
| φ 100 | 15  | 15 | 60   | 16 | 20   | 31 | 56   | 60 | -    | (行程/4.5)+21   | 61.5        | 26.7 | 10.0 | 13.5 | 15.5 | 19.5 | 19.5        | 21.5 | 9.5 | 9.5 | 11.5 | 15.5 | 17.5 |

| 記號    | 防塵套  |      |      |      |      |      |      |      |    |       | 開關安裝方式：導軌方式 |    |    |    | 開關安裝方式：綁帶方式 |  |  |  |
|-------|------|------|------|------|------|------|------|------|----|-------|-------------|----|----|----|-------------|--|--|--|
|       | QA   | QB   | SD   | T    | W    | WF   | b    | d    | s  | φ     | P1          | P2 | P3 | Pθ |             |  |  |  |
| φ 20  | 6.5  | 6.5  | 8.5  | 7.5  | 7.5  | 9.5  | 19.6 | 21.5 | 14 | (38°) |             |    |    |    |             |  |  |  |
| φ 25  | 5.5  | 5.5  | 7.5  | 8.5  | 8.5  | 10.5 | 22.1 | 23.9 | 14 | (34°) |             |    |    |    |             |  |  |  |
| φ 32  | 6.5  | 6.5  | 8.5  | 9.5  | 9.5  | 11.5 | 25.6 | 27.6 | 16 | (30°) |             |    |    |    |             |  |  |  |
| φ 40  | 8.5  | 8.5  | 10.5 | 11.5 | 11.5 | 13.5 | 30.2 | 32.1 | 16 | (26°) |             |    |    |    |             |  |  |  |
| φ 50  | 11.0 | 11.0 | 13.0 | 13.0 | 13.0 | 15.0 | 35.7 | 37.4 | 16 | (22°) |             |    |    |    |             |  |  |  |
| φ 63  | 11.0 | 11.0 | 13.0 | 13.0 | 13.0 | 15.0 | 42.7 | 44.4 | 16 | (20°) |             |    |    |    |             |  |  |  |
| φ 80  | 13.0 | 13.0 | 15.0 | 20.0 | 20.0 | 22.0 | 51.2 | 53.0 | 16 | (16°) |             |    |    |    |             |  |  |  |
| φ 100 | 13.5 | 13.5 | 15.5 | 19.5 | 19.5 | 21.5 | 61.7 | 63.5 | 16 | (16°) |             |    |    |    |             |  |  |  |

註1：防空氣緩衝的針閥相關尺寸及端口口徑與基本型尺寸相同。請參閱第224頁。(φ20、φ25與基本型不同。)

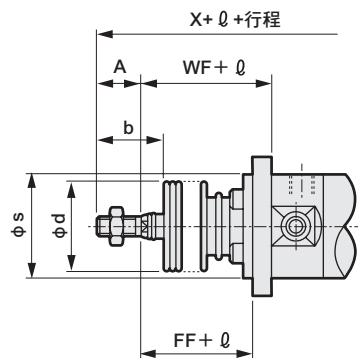
註2：雙色顯示方式、斷電延遲式、交流磁場用、T1H/V、T8H/V開關的RD、HD、突出尺寸等，請參閱第329頁。

註3：附屬品的外形尺寸圖請參閱第238、239頁。

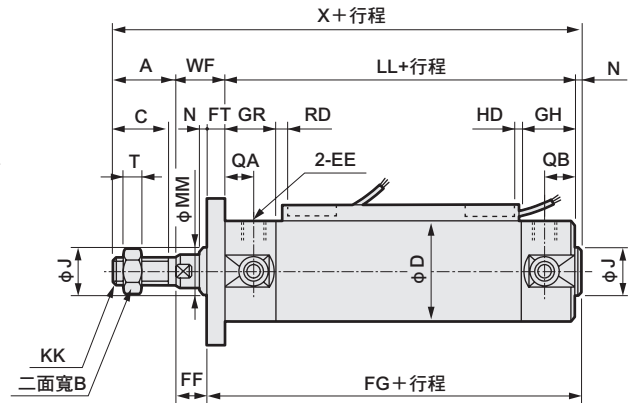
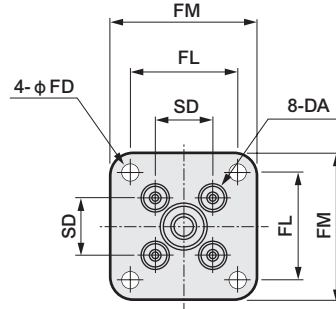
## 外形尺寸圖

### ● 活塞桿側法蘭型 (FA)

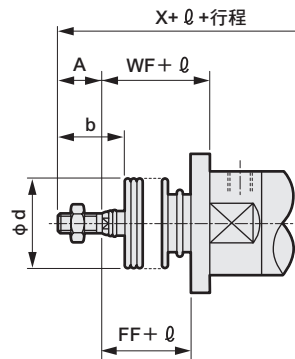
• 開關安裝方式：導軌方式



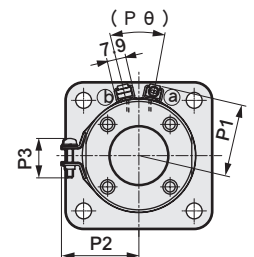
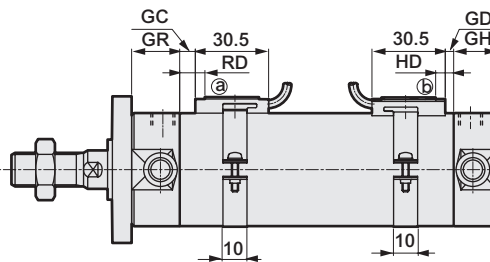
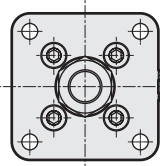
〈附防塵套 φ20~φ63〉



• 開關安裝方式：綁帶方式



〈附防塵套 φ80、φ100〉



T2W、T3W時

註1：附空氣緩衝的針閥相關尺寸及孔口口徑與基本型尺寸相同。請參閱第224頁。  
(φ20、φ25與基本型不同。)

註2：雙色顯示方式、斷電延遲式、交流磁場用、T1H/V、T8H/V開關的RD、HD、突出尺寸等，請參閱第329頁。

註3：附屬品的外形尺寸圖請參閱第238、239頁。

| 記號        | 活塞桿側法蘭型 (FA) 基本尺寸 |    |      |     |     |         |     |    |     |     |     |    |    |    |    |          |     |    |   |    |    |      |    |    |     |
|-----------|-------------------|----|------|-----|-----|---------|-----|----|-----|-----|-----|----|----|----|----|----------|-----|----|---|----|----|------|----|----|-----|
| 氣缸內徑 (mm) | A                 | B  | C    | D   | DA  | EE (註1) | FD  | FF | FG  | FL  | FM  | FT | GH | GR | J  | KK       | LL  | MM | N | QA | QB | SD   | T  | WF | X   |
| φ 20      | 18                | 13 | 15.5 | 26  | M4  | Rc1/8   | 5.5 | 11 | 77  | 28  | 40  | 6  | 17 | 19 | 12 | M8       | 69  | 8  | 2 | 12 | 10 | 14   | 5  | 17 | 106 |
| φ 25      | 22                | 17 | 19.5 | 31  | M5  | Rc1/8   | 5.5 | 11 | 78  | 32  | 44  | 7  | 17 | 19 | 14 | M10×1.25 | 69  | 10 | 2 | 12 | 10 | 16.5 | 6  | 18 | 111 |
| φ 32      | 22                | 17 | 19.5 | 38  | M5  | Rc1/8   | 6.6 | 11 | 80  | 38  | 53  | 7  | 17 | 19 | 18 | M10×1.25 | 71  | 12 | 2 | 12 | 10 | 20   | 6  | 18 | 113 |
| φ 40      | 30                | 22 | 27   | 47  | M6  | Rc1/8   | 6.6 | 12 | 88  | 46  | 61  | 8  | 19 | 20 | 25 | M14×1.5  | 78  | 16 | 2 | 13 | 12 | 26   | 8  | 20 | 130 |
| φ 50      | 35                | 27 | 32   | 58  | M8  | Rc1/4   | 9   | 14 | 101 | 58  | 76  | 9  | 22 | 25 | 30 | M18×1.5  | 90  | 20 | 2 | 15 | 12 | 32   | 11 | 23 | 150 |
| φ 63      | 35                | 27 | 32   | 72  | M10 | Rc1/4   | 11  | 14 | 101 | 70  | 92  | 9  | 22 | 25 | 32 | M18×1.5  | 90  | 20 | 2 | 15 | 12 | 38   | 11 | 23 | 150 |
| φ 80      | 40                | 32 | 37   | 89  | M10 | Rc3/8   | 11  | 20 | 122 | 82  | 104 | 11 | 28 | 28 | 40 | M22×1.5  | 108 | 25 | 3 | 15 | 15 | 50   | 13 | 31 | 182 |
| φ 100     | 40                | 41 | 37   | 110 | M12 | Rc1/2   | 13  | 17 | 125 | 100 | 128 | 14 | 28 | 28 | 50 | M26×1.5  | 108 | 30 | 3 | 15 | 15 | 60   | 16 | 31 | 182 |

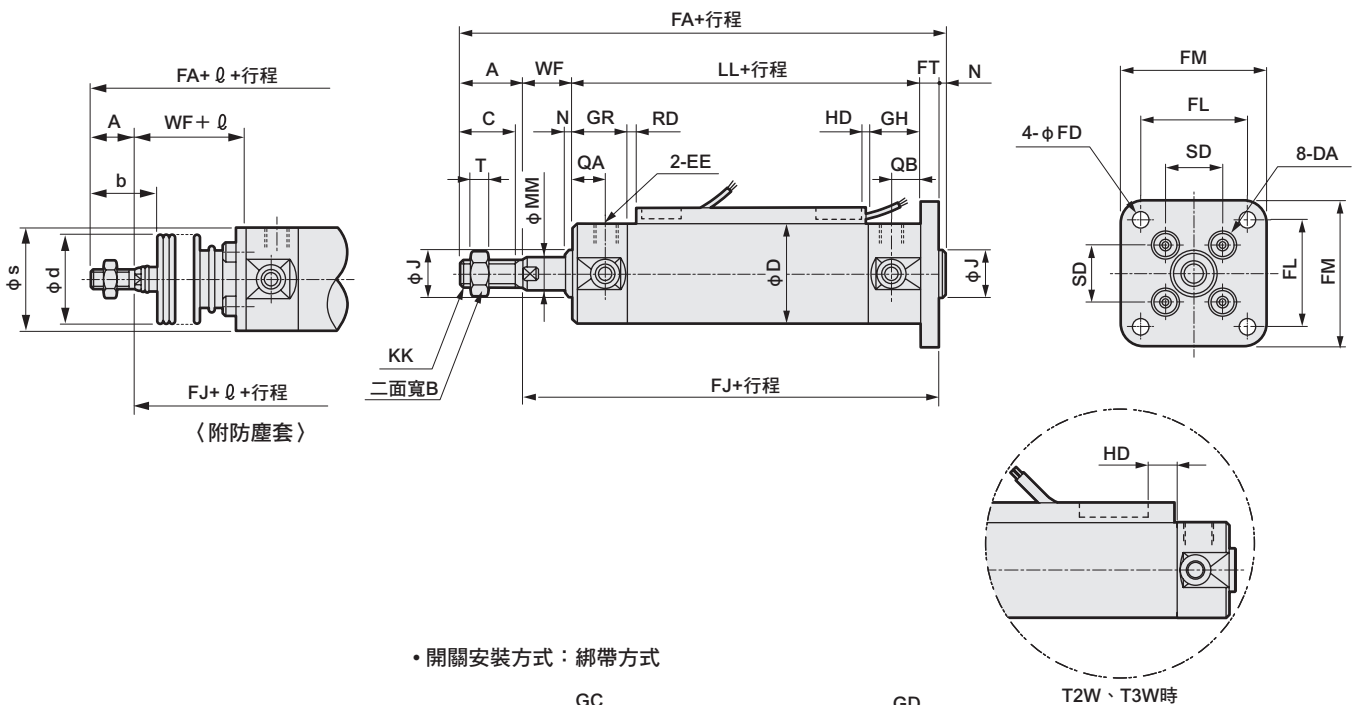
| 記號    | 防塵套  |    |      |               | 開關安裝方式：導軌方式 |                  |            |       |                  |            |       |       |            | 開關安裝方式：綁帶方式 |       |            |       |       |            |       |       |            |      |      |    |       |
|-------|------|----|------|---------------|-------------|------------------|------------|-------|------------------|------------|-------|-------|------------|-------------|-------|------------|-------|-------|------------|-------|-------|------------|------|------|----|-------|
|       | b    | d  | s    | ℓ             | HD          |                  |            | RD    |                  |            | GD    |       |            | GC          |       |            | HD    |       |            | RD    |       |            | P1   | P2   | P3 | Pθ    |
|       |      |    |      |               | T0/T5       | T2/T2R<br>T3/T3P | T2W<br>T3W | T0/T5 | T2/T2R<br>T3/T3P | T2W<br>T3W | T0/T5 | T2,T3 | T2W<br>T3W | T0/T5       | T2,T3 | T2W<br>T3W | T0/T5 | T2,T3 | T2W<br>T3W | T0/T5 | T2,T3 | T2W<br>T3W |      |      |    |       |
| φ 20  | 30   | 30 | 25.7 | (行程/3)+18.5   | 3.0         | 6.5              | 8.5        | 7.5   | 7.5              | 9.5        | 2.5   | 2.5   | 4.5        | 3.5         | 3.5   | 5.5        | 6.5   | 6.5   | 8.5        | 7.5   | 7.5   | 9.5        | 19.6 | 21.5 | 14 | (38°) |
| φ 25  | 35   | 30 | 30.7 | (行程/3)+20.5   | 2.0         | 5.5              | 7.5        | 8.5   | 8.5              | 10.5       | 1.5   | 1.5   | 3.5        | 4.5         | 4.5   | 6.5        | 5.5   | 5.5   | 7.5        | 8.5   | 8.5   | 10.5       | 22.1 | 23.9 | 14 | (34°) |
| φ 32  | 31.5 | 35 | 37.7 | (行程/3)+19     | 3.0         | 6.5              | 8.5        | 9.5   | 9.5              | 11.5       | 2.5   | 2.5   | 4.5        | 5.5         | 5.5   | 7.5        | 6.5   | 6.5   | 8.5        | 9.5   | 9.5   | 11.5       | 25.6 | 27.6 | 16 | (30°) |
| φ 40  | 40   | 35 | 46.7 | (行程/3)+18.5   | 5.0         | 8.5              | 10.5       | 11.5  | 11.5             | 13.5       | 4.5   | 4.5   | 6.5        | 7.5         | 7.5   | 9.5        | 8.5   | 8.5   | 10.5       | 11.5  | 11.5  | 13.5       | 30.2 | 32.1 | 16 | (26°) |
| φ 50  | 46   | 40 | 57.7 | (行程/3.6)+18.5 | 7.5         | 11.0             | 13.0       | 13.0  | 13.0             | 15.0       | 7.0   | 7.0   | 9.0        | 9.0         | 9.0   | 11.0       | 11.0  | 11.0  | 13.0       | 13.0  | 13.0  | 15.0       | 35.7 | 37.4 | 16 | (22°) |
| φ 63  | 46   | 40 | 71.7 | (行程/3.6)+18.5 | 7.5         | 11.0             | 13.0       | 13.0  | 13.0             | 15.0       | 7.0   | 7.0   | 9.0        | 9.0         | 9.0   | 11.0       | 11.0  | 11.0  | 13.0       | 13.0  | 13.0  | 15.0       | 42.7 | 44.4 | 16 | (20°) |
| φ 80  | 55   | 50 | -    | (行程/4.3)+14.5 | 9.5         | 13.0             | 15.0       | 20.0  | 20.0             | 22.0       | 9.0   | 9.0   | 11.0       | 16.0        | 16.0  | 18.0       | 13.0  | 13.0  | 15.0       | 20.0  | 20.0  | 22.0       | 51.2 | 53.0 | 16 | (16°) |
| φ 100 | 56   | 60 | -    | (行程/4.5)+21   | 10.0        | 13.5             | 15.5       | 19.5  | 19.5             | 21.5       | 9.5   | 9.5   | 11.5       | 15.5        | 15.5  | 17.5       | 13.5  | 13.5  | 15.5       | 19.5  | 19.5  | 21.5       | 61.7 | 63.5 | 16 | (16°) |

## 外形尺寸圖

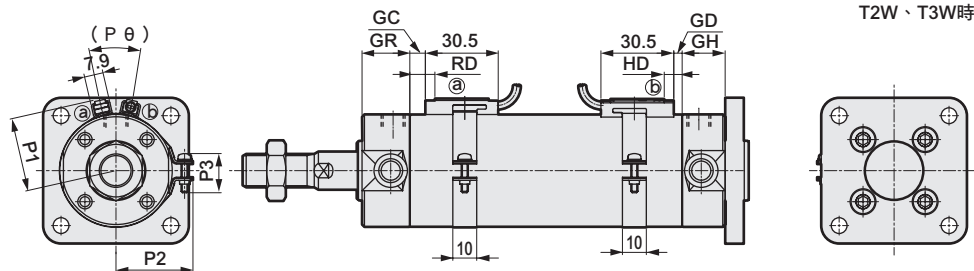


### ● 頭蓋側法蘭型 (FB)

● 開關安裝方式：導軌方式



● 開關安裝方式：綁帶方式



註1：附空氣緩衝的針閥相關尺寸及孔口口徑與基本型尺寸相同。請參閱第224頁。  
(φ20、φ25與基本型不同。)

註2：雙色顯示方式、斷電延遲式、交流磁場用、T1H/V、T8H/V開關的RD、HD、突出尺寸等，請參閱第329頁。

註3：附屬品的外形尺寸圖請參閱第238、239頁。

| 記號        | 活塞桿側法蘭型 (FB) 基本尺寸 |    |      |     |     |         |     |     |     |     |     |    |    |    |    |          |     |    |   |    |    |      |    |    |      |
|-----------|-------------------|----|------|-----|-----|---------|-----|-----|-----|-----|-----|----|----|----|----|----------|-----|----|---|----|----|------|----|----|------|
| 氣缸內徑 (mm) | A                 | B  | C    | D   | DA  | EE (註1) | FA  | FD  | FJ  | FL  | FM  | FT | GH | GR | J  | KK       | LL  | MM | N | QA | QB | SD   | T  | WF | b    |
| φ 20      | 18                | 13 | 15.5 | 26  | M4  | Rc1/8   | 112 | 5.5 | 92  | 28  | 40  | 6  | 17 | 19 | 12 | M8       | 69  | 8  | 2 | 12 | 10 | 14   | 5  | 17 | 30   |
| φ 25      | 22                | 17 | 19.5 | 31  | M5  | Rc1/8   | 118 | 5.5 | 94  | 32  | 44  | 7  | 17 | 19 | 14 | M10×1.25 | 69  | 10 | 2 | 12 | 10 | 16.5 | 6  | 18 | 35   |
| φ 32      | 22                | 17 | 19.5 | 38  | M5  | Rc1/8   | 120 | 6.6 | 96  | 38  | 53  | 7  | 17 | 19 | 18 | M10×1.25 | 71  | 12 | 2 | 12 | 10 | 20   | 6  | 18 | 31.5 |
| φ 40      | 30                | 22 | 27   | 47  | M6  | Rc1/8   | 138 | 6.6 | 106 | 46  | 61  | 8  | 19 | 20 | 25 | M14×1.5  | 78  | 16 | 2 | 13 | 12 | 26   | 8  | 20 | 40   |
| φ 50      | 35                | 27 | 32   | 58  | M8  | Rc1/4   | 159 | 9   | 122 | 58  | 76  | 9  | 22 | 25 | 30 | M18×1.5  | 90  | 20 | 2 | 15 | 12 | 32   | 11 | 23 | 46   |
| φ 63      | 35                | 27 | 32   | 72  | M10 | Rc1/4   | 159 | 11  | 122 | 70  | 92  | 9  | 22 | 25 | 32 | M18×1.5  | 90  | 20 | 2 | 15 | 12 | 38   | 11 | 23 | 46   |
| φ 80      | 40                | 32 | 37   | 89  | M10 | Rc3/8   | 193 | 11  | 150 | 82  | 104 | 11 | 28 | 28 | 40 | M22×1.5  | 108 | 25 | 3 | 15 | 15 | 50   | 13 | 31 | 55   |
| φ 100     | 40                | 41 | 37   | 110 | M12 | Rc1/2   | 196 | 13  | 153 | 100 | 128 | 14 | 28 | 28 | 50 | M26×1.5  | 108 | 30 | 3 | 15 | 15 | 60   | 16 | 31 | 56   |

| 記號  | 防塵套       |    |       | 開關安裝方式：導軌方式    |                  |            |       |                  |            | 開關安裝方式：綁帶方式 |       |            |       |       |            |       |       |            |      |      |      |      |      |      |    |       |
|-----|-----------|----|-------|----------------|------------------|------------|-------|------------------|------------|-------------|-------|------------|-------|-------|------------|-------|-------|------------|------|------|------|------|------|------|----|-------|
|     | 氣缸內徑 (mm) | d  | s     | HD             |                  |            | RD    |                  |            | GD          |       |            | GC    |       |            | HD    |       |            | RD   |      |      | P1   | P2   | P3   | Pθ |       |
|     |           |    |       | T0/T5          | T2/T2R<br>T3/T3P | T2W<br>T3W | T0/T5 | T2/T2R<br>T3/T3P | T2W<br>T3W | T0/T5       | T2,T3 | T2W<br>T3W | T0/T5 | T2,T3 | T2W<br>T3W | T0/T5 | T2,T3 | T2W<br>T3W |      |      |      |      |      |      |    |       |
| FJ  | φ 20      | 30 | 25.7  | (行程/3) +18.5   | 3.0              | 6.5        | 8.5   | 7.5              | 7.5        | 9.5         | 2.5   | 2.5        | 4.5   | 3.5   | 3.5        | 5.5   | 6.5   | 6.5        | 8.5  | 7.5  | 7.5  | 9.5  | 19.6 | 21.5 | 14 | (38°) |
|     | φ 25      | 30 | 30.7  | (行程/3) +20.5   | 2.0              | 5.5        | 7.5   | 8.5              | 8.5        | 10.5        | 1.5   | 1.5        | 3.5   | 4.5   | 4.5        | 6.5   | 5.5   | 5.5        | 7.5  | 8.5  | 8.5  | 10.5 | 22.1 | 23.9 | 14 | (34°) |
| FK  | φ 32      | 35 | 37.7  | (行程/3) +19     | 3.0              | 6.5        | 8.5   | 9.5              | 9.5        | 11.5        | 2.5   | 2.5        | 4.5   | 5.5   | 5.5        | 7.5   | 6.5   | 6.5        | 8.5  | 9.5  | 9.5  | 11.5 | 25.6 | 27.6 | 16 | (30°) |
|     | φ 40      | 35 | 46.7  | (行程/3) +18.5   | 5.0              | 8.5        | 10.5  | 11.5             | 11.5       | 13.5        | 4.5   | 4.5        | 6.5   | 7.5   | 7.5        | 9.5   | 8.5   | 8.5        | 10.5 | 11.5 | 11.5 | 13.5 | 30.2 | 32.1 | 16 | (26°) |
| 調速閥 | φ 50      | 40 | 57.7  | (行程/3.6) +18.5 | 7.5              | 11.0       | 13.0  | 13.0             | 13.0       | 15.0        | 7.0   | 7.0        | 9.0   | 9.0   | 9.0        | 11.0  | 11.0  | 11.0       | 13.0 | 13.0 | 13.0 | 15.0 | 35.7 | 37.4 | 16 | (22°) |
|     | φ 63      | 40 | 71.7  | (行程/3.6) +18.5 | 7.5              | 11.0       | 13.0  | 13.0             | 13.0       | 15.0        | 7.0   | 7.0        | 9.0   | 9.0   | 9.0        | 11.0  | 11.0  | 11.0       | 13.0 | 13.0 | 13.0 | 15.0 | 42.7 | 44.4 | 16 | (20°) |
| 卷尾  | φ 80      | 50 | 88.7  | (行程/4.3) +14.5 | 9.5              | 13.0       | 15.0  | 20.0             | 20.0       | 22.0        | 9.0   | 9.0        | 11.0  | 16.0  | 16.0       | 18.0  | 13.0  | 13.0       | 15.0 | 20.0 | 20.0 | 22.0 | 51.2 | 53.0 | 16 | (16°) |
|     | φ 100     | 60 | 109.7 | (行程/4.5) +21   | 10.0             | 13.5       | 15.5  | 19.5             | 19.5       | 21.5        | 9.5   | 9.5        | 11.5  | 15.5  | 15.5       | 17.5  | 13.5  | 13.5       | 15.5 | 19.5 | 19.5 | 21.5 | 61.7 | 63.5 | 16 | (16°) |

SCP※3

CMK2

CMA2

**SCM**

SCG

SCA2

SCS2

CKV2

CAV2・  
COVPIN2

SSD2

SSG

SSD

CAT

MDC2

MVC

SMG

MSD・  
MSDG

FC※

STK

SRL3

SRG3

SRM3

SRT3

MRL2

MRG2

SM-25

緩衝器

FJ

FK

調速閥

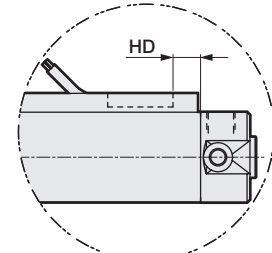
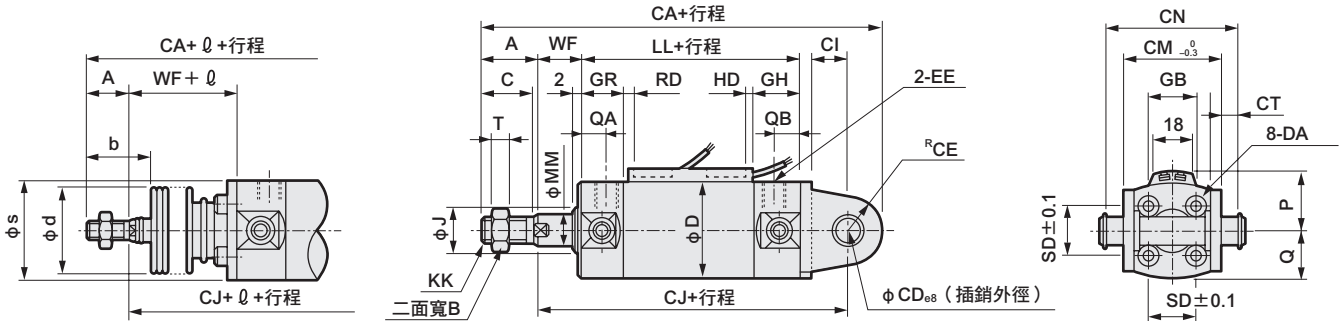
卷尾



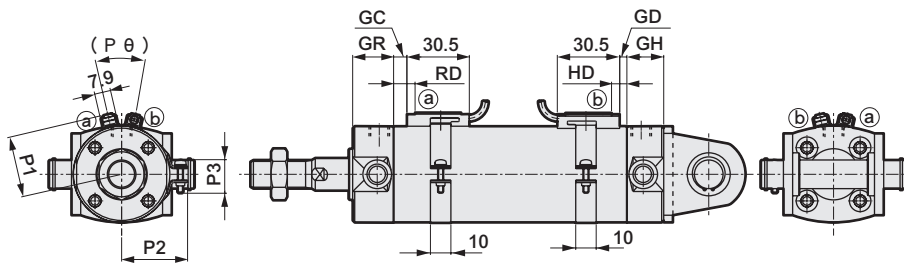
## 外形尺寸圖 (φ20~φ63)

● 一山吊耳型 (CA)

● 開關安裝方式：導軌方式



● 開關安裝方式：綁帶方式



| 記號  | 一山吊耳型 (CA) 基本尺寸 |    |      |       |    |    |     |      |       |    |      |    |     |       |         |    |    |          |    |    |      |
|-----|-----------------|----|------|-------|----|----|-----|------|-------|----|------|----|-----|-------|---------|----|----|----------|----|----|------|
|     | 氣缸內徑 (mm)       | A  | B    | C     | CA | CD | CE  | CT   | CI    | CJ | CM   | CN | D   | DA    | EE (註1) | GH | GR | J        | KK | LL | MM   |
| φ20 | 18              | 13 | 15.5 | 129   | 8  | 11 | 3.2 | 10.8 | 100   | 29 | 38.6 | 26 | M4  | Rc1/8 | 17      | 19 | 12 | M8       | 69 | 8  | 13   |
| φ25 | 22              | 17 | 19.5 | 138   | 10 | 13 | 3.2 | 12.8 | 103   | 33 | 42.6 | 31 | M5  | Rc1/8 | 17      | 19 | 14 | M10×1.25 | 69 | 10 | 15.5 |
| φ32 | 22              | 17 | 19.5 | 145.5 | 12 | 15 | 4.5 | 15.5 | 108.5 | 40 | 54   | 38 | M5  | Rc1/8 | 17      | 19 | 18 | M10×1.25 | 71 | 12 | 19   |
| φ40 | 30              | 22 | 27   | 167.5 | 14 | 18 | 4.5 | 17.5 | 119.5 | 49 | 65   | 47 | M6  | Rc1/8 | 19      | 20 | 25 | M14×1.5  | 78 | 16 | 23.5 |
| φ50 | 35              | 27 | 32   | 192.5 | 16 | 20 | 6   | 19   | 137.5 | 60 | 79.6 | 58 | M8  | Rc1/4 | 22      | 25 | 30 | M18×1.5  | 90 | 20 | 29   |
| φ63 | 35              | 27 | 32   | 199.5 | 18 | 22 | 8   | 22   | 142.5 | 74 | 97.8 | 72 | M10 | Rc1/4 | 22      | 25 | 32 | M18×1.5  | 90 | 20 | 36   |

| 記號  | 氣缸內徑 (mm) | 防塵套   |       |         |       |       | 開關安裝方式：導軌方式 |      |                |    |    |       |               |         |       |               | 開關安裝方式：綁帶方式 |       |       |         |       |       |         |     |      |  |
|-----|-----------|-------|-------|---------|-------|-------|-------------|------|----------------|----|----|-------|---------------|---------|-------|---------------|-------------|-------|-------|---------|-------|-------|---------|-----|------|--|
|     |           | QA    | QB    | SD      | T     | WF    | b           | d    | s              | ℓ  |    |       | P             | GB      | HD    |               |             | RD    |       |         | GD    |       |         | GC  |      |  |
|     |           | T0/T5 | T2/T3 | T2W/T3W | T0/T5 | T2/T3 | T2W/T3W     | P1   | P2             | P3 | Pθ | T0/T5 | T2/T2R/T3/T3P | T2W/T3W | T0/T5 | T2/T2R/T3/T3P | T2W/T3W     | T0/T5 | T2/T3 | T2W/T3W | T0/T5 | T2/T3 | T2W/T3W |     |      |  |
| φ20 | 12        | 10    | 14    | 5       | 17    | 30    | 30          | 25.7 | (行程/3) +18.5   |    |    | 19.5  | 23            | 3.0     | 6.5   | 8.5           | 7.5         | 7.5   | 9.5   | 2.5     | 2.5   | 4.5   | 3.5     | 3.5 | 5.5  |  |
| φ25 | 12        | 10    | 16.5  | 6       | 18    | 35    | 30          | 30.7 | (行程/3) +20.5   |    |    | 22    | 24.4          | 2.0     | 5.5   | 7.5           | 8.5         | 8.5   | 10.5  | 1.5     | 1.5   | 3.5   | 4.5     | 4.5 | 6.5  |  |
| φ32 | 12        | 10    | 20    | 6       | 18    | 31.5  | 35          | 37.7 | (行程/3) +19     |    |    | 25.5  | 25            | 3.0     | 6.5   | 8.5           | 9.5         | 9.5   | 11.5  | 2.5     | 2.5   | 4.5   | 5.5     | 5.5 | 7.5  |  |
| φ40 | 13        | 12    | 26    | 8       | 20    | 40    | 35          | 46.7 | (行程/3) +18.5   |    |    | 30    | 25.7          | 5.0     | 8.5   | 10.5          | 11.5        | 11.5  | 13.5  | 4.5     | 4.5   | 6.5   | 7.5     | 7.5 | 9.5  |  |
| φ50 | 15        | 12    | 32    | 11      | 23    | 46    | 40          | 57.7 | (行程/3.6) +18.5 |    |    | 35.5  | 26.2          | 7.5     | 11.0  | 13.0          | 13.0        | 13.0  | 15.0  | 7.0     | 7.0   | 9.0   | 9.0     | 9.0 | 11.0 |  |
| φ63 | 15        | 12    | 38    | 11      | 23    | 46    | 40          | 71.7 | (行程/3.6) +18.5 |    |    | 42.5  | 26.5          | 7.5     | 11.0  | 13.0          | 13.0        | 13.0  | 15.0  | 7.0     | 7.0   | 9.0   | 9.0     | 9.0 | 11.0 |  |

| 記號  | 氣缸內徑 (mm) | 開關安裝方式：綁帶方式 |       |         |       |       |         |      |    |       |    |
|-----|-----------|-------------|-------|---------|-------|-------|---------|------|----|-------|----|
|     |           | HD          |       |         | RD    |       |         | P1   | P2 | P3    | Pθ |
|     |           | T0/T5       | T2/T3 | T2W/T3W | T0/T5 | T2/T3 | T2W/T3W |      |    |       |    |
| φ20 | 6.5       | 6.5         | 8.5   | 7.5     | 7.5   | 9.5   | 19.6    | 21.5 | 14 | (38°) |    |
| φ25 | 5.5       | 5.5         | 7.5   | 8.5     | 8.5   | 10.5  | 22.1    | 23.9 | 14 | (34°) |    |
| φ32 | 6.5       | 6.5         | 8.5   | 9.5     | 9.5   | 11.5  | 25.6    | 27.6 | 16 | (30°) |    |
| φ40 | 8.5       | 8.5         | 10.5  | 11.5    | 11.5  | 13.5  | 30.2    | 32.1 | 16 | (26°) |    |
| φ50 | 11.0      | 11.0        | 13.0  | 13.0    | 13.0  | 15.0  | 35.7    | 37.4 | 16 | (22°) |    |
| φ63 | 11.0      | 11.0        | 13.0  | 13.0    | 13.0  | 15.0  | 42.7    | 44.4 | 16 | (20°) |    |

註1：附空氣緩衝的針閥相關尺寸及端口口徑與基本型尺寸相同。請參閱第224頁。(φ20、φ25與基本型不同。)

註2：雙色顯示方式、斷電延遲式、交流磁場用、T1H/V、T8H/V開關的RD、HD、突出尺寸等，請參閱第329頁。

註3：附屬品的外形尺寸圖請參閱第238、239頁。

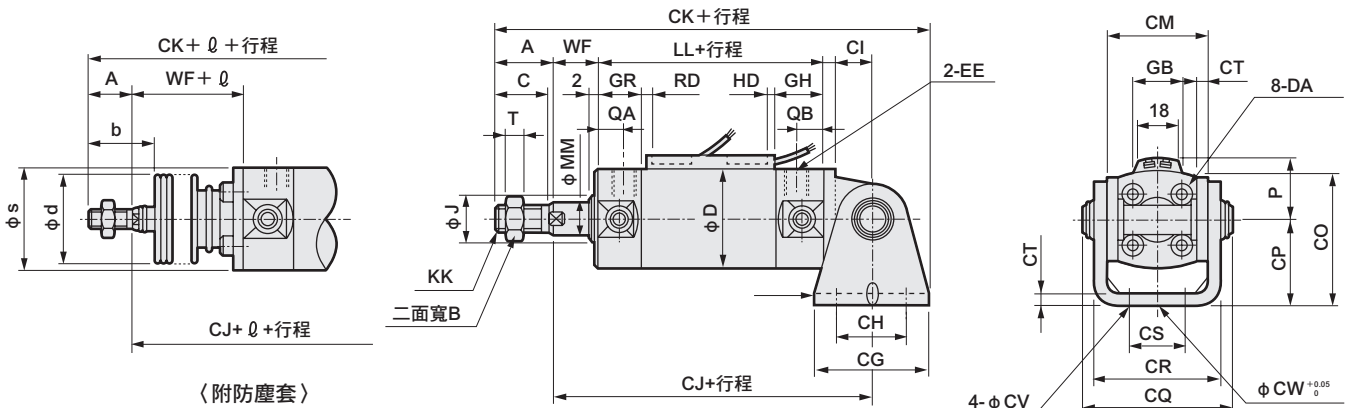


## 外形尺寸圖 (φ20~φ63)

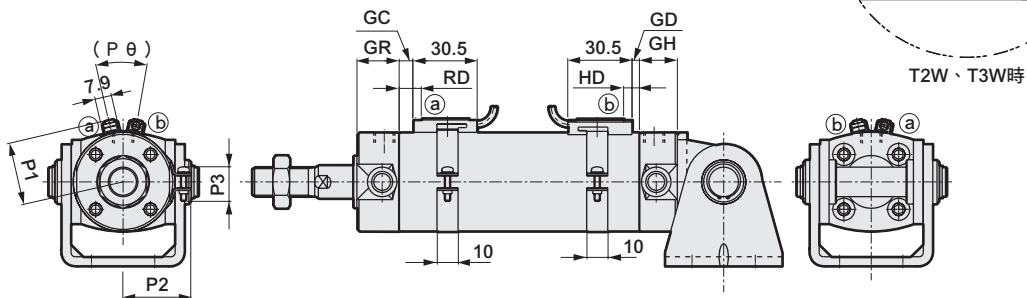


● 一山吊耳型 (CA) 附固定架 (選購品記號B2)

• 開關安裝方式：導軌方式



• 開關安裝方式：綁帶方式



| 記號        | 一山吊耳型 (CA) 附固定架 (選購品記號B2) 基本尺寸 |    |      |    |    |      |       |       |    |      |    |       |      |    |     |     |    |    |     |         |    |    |    |          |
|-----------|--------------------------------|----|------|----|----|------|-------|-------|----|------|----|-------|------|----|-----|-----|----|----|-----|---------|----|----|----|----------|
| 氣缸內徑 (mm) | A                              | B  | C    | CG | CH | CI   | CJ    | CK    | CM | CO   | CP | CQ    | CR   | CS | CT  | CV  | CW | D  | DA  | EE (註1) | GH | GR | J  | KK       |
| φ20       | 18                             | 13 | 15.5 | 42 | 28 | 10.8 | 100   | 139   | 29 | 38   | 25 | 43.4  | 35.8 | 16 | 3.2 | 5.5 | 10 | 26 | M4  | Rc1/8   | 17 | 19 | 12 | M8       |
| φ25       | 22                             | 17 | 19.5 | 42 | 28 | 12.8 | 103   | 146   | 33 | 45.5 | 30 | 48    | 39.8 | 20 | 3.2 | 5.5 | 10 | 31 | M5  | Rc1/8   | 17 | 19 | 14 | M10×1.25 |
| φ32       | 22                             | 17 | 19.5 | 48 | 28 | 15.5 | 108.5 | 154.5 | 40 | 54   | 35 | 59.4  | 49.4 | 22 | 4.5 | 6.6 | 10 | 38 | M5  | Rc1/8   | 17 | 19 | 18 | M10×1.25 |
| φ40       | 30                             | 22 | 27   | 56 | 30 | 17.5 | 119.5 | 177.5 | 49 | 63.5 | 40 | 71.4  | 58.4 | 30 | 4.5 | 6.6 | 10 | 47 | M6  | Rc1/8   | 19 | 20 | 25 | M14×1.5  |
| φ50       | 35                             | 27 | 32   | 64 | 36 | 19   | 137.5 | 204.5 | 60 | 79   | 50 | 86    | 72.4 | 36 | 6   | 9   | 20 | 58 | M8  | Rc1/4   | 22 | 25 | 30 | M18×1.5  |
| φ63       | 35                             | 27 | 32   | 74 | 46 | 22   | 142.5 | 214.5 | 74 | 96   | 60 | 105.4 | 90.4 | 46 | 8   | 11  | 20 | 72 | M10 | Rc1/4   | 22 | 25 | 32 | M18×1.5  |

| 記號  | 氣缸內徑 (mm) | 防防塵套  |       |         |       |       |         |    |      |                | 開關安裝方式：導軌方式 |      |     |       |               |         | 開關安裝方式：綁帶方式 |               |         |       |       |         |       |       |         |
|-----|-----------|-------|-------|---------|-------|-------|---------|----|------|----------------|-------------|------|-----|-------|---------------|---------|-------------|---------------|---------|-------|-------|---------|-------|-------|---------|
|     |           | LL    | MM    | QA      | QB    | T     | WF      | b  | d    | s              | ℓ           | P    | GB  | HD    |               |         | RD          |               |         | GD    |       |         | GC    |       |         |
|     |           | T0/T5 | T2/T3 | T2W/T3W | T0/T5 | T2/T3 | T2W/T3W | P1 | P2   | P3             | Pθ          |      |     | T0/T5 | T2/T2R/T3/T3P | T2W/T3W | T0/T5       | T2/T2R/T3/T3P | T2W/T3W | T0/T5 | T2/T3 | T2W/T3W | T0/T5 | T2/T3 | T2W/T3W |
| φ20 | 69        | 8     | 12    | 10      | 5     | 17    | 30      | 30 | 25.7 | (行程/3) +18.5   | 19.5        | 23   | 3.0 | 6.5   | 8.5           | 7.5     | 7.5         | 9.5           | 2.5     | 2.5   | 4.5   | 3.5     | 3.5   | 5.5   |         |
| φ25 | 69        | 10    | 12    | 10      | 6     | 18    | 35      | 30 | 30.7 | (行程/3) +20.5   | 22          | 24.4 | 2.0 | 5.5   | 7.5           | 8.5     | 8.5         | 10.5          | 1.5     | 1.5   | 3.5   | 4.5     | 4.5   | 6.5   |         |
| φ32 | 71        | 12    | 12    | 10      | 6     | 18    | 31.5    | 35 | 37.7 | (行程/3) +19     | 25.5        | 25   | 3.0 | 6.5   | 8.5           | 9.5     | 9.5         | 11.5          | 2.5     | 2.5   | 4.5   | 5.5     | 5.5   | 7.5   |         |
| φ40 | 78        | 16    | 13    | 12      | 8     | 20    | 40      | 35 | 46.7 | (行程/3) +18.5   | 30          | 25.7 | 5.0 | 8.5   | 10.5          | 11.5    | 11.5        | 13.5          | 4.5     | 4.5   | 6.5   | 7.5     | 7.5   | 9.5   |         |
| φ50 | 90        | 20    | 15    | 12      | 11    | 23    | 46      | 40 | 57.7 | (行程/3.6) +18.5 | 35.5        | 26.2 | 7.5 | 11.0  | 13.0          | 13.0    | 13.0        | 15.0          | 7.0     | 7.0   | 9.0   | 9.0     | 9.0   | 11.0  |         |
| φ63 | 90        | 20    | 15    | 12      | 11    | 23    | 46      | 40 | 71.7 | (行程/3.6) +18.5 | 42.5        | 26.5 | 7.5 | 11.0  | 13.0          | 13.0    | 13.0        | 15.0          | 7.0     | 7.0   | 9.0   | 9.0     | 9.0   | 11.0  |         |

| 記號  | 氣缸內徑 (mm) | 開關安裝方式：綁帶方式 |       |         |       |       |         |      |    |       |    |
|-----|-----------|-------------|-------|---------|-------|-------|---------|------|----|-------|----|
|     |           | HD          |       |         | RD    |       |         | P1   | P2 | P3    | Pθ |
|     |           | T0/T5       | T2/T3 | T2W/T3W | T0/T5 | T2/T3 | T2W/T3W |      |    |       |    |
| φ20 | 6.5       | 6.5         | 8.5   | 7.5     | 7.5   | 9.5   | 19.6    | 21.5 | 14 | (38°) |    |
| φ25 | 5.5       | 5.5         | 7.5   | 8.5     | 8.5   | 10.5  | 22.1    | 23.9 | 14 | (34°) |    |
| φ32 | 6.5       | 6.5         | 8.5   | 9.5     | 9.5   | 11.5  | 25.6    | 27.6 | 16 | (30°) |    |
| φ40 | 8.5       | 8.5         | 10.5  | 11.5    | 11.5  | 13.5  | 30.2    | 32.1 | 16 | (26°) |    |
| φ50 | 11.0      | 11.0        | 13.0  | 13.0    | 13.0  | 15.0  | 35.7    | 37.4 | 16 | (22°) |    |
| φ63 | 11.0      | 11.0        | 13.0  | 13.0    | 13.0  | 15.0  | 42.7    | 44.4 | 16 | (20°) |    |

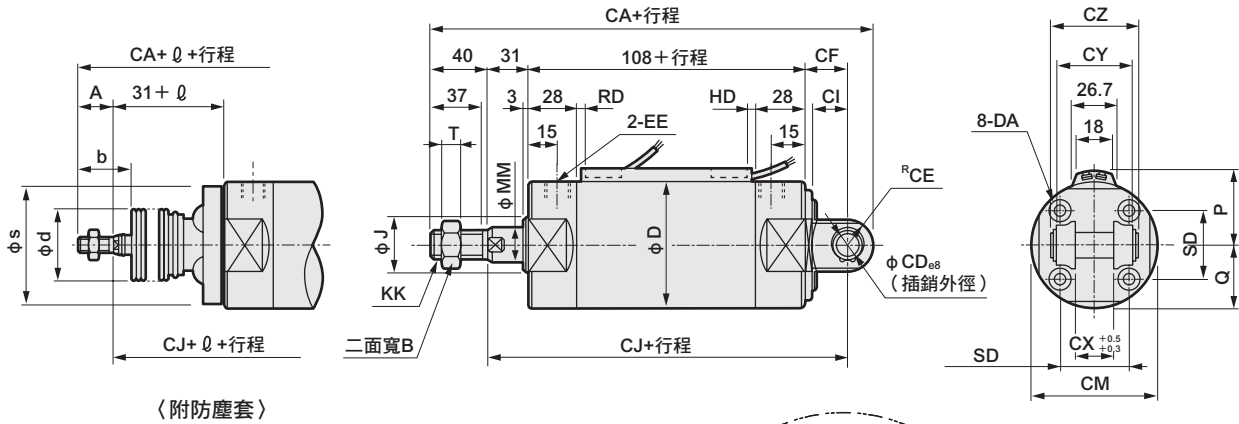
註1：附空氣緩衝的針閥相關尺寸及孔口口徑與基本型尺寸相同。請參閱第224頁。(φ20、φ25與基本型不同。)  
 註2：雙色顯示方式、斷電延遲式、交流磁場用、T1H/V、T8H/V開關的RD、HD、突出尺寸等，請參閱第329頁。  
 註3：附屬品的外形尺寸圖請參閱第238、239頁。



## 外形尺寸圖 (φ80~φ100)

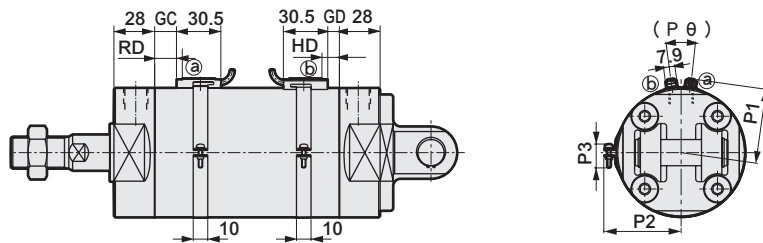
### ● 二山吊耳型 (CB)

• 開關安裝方式：導軌方式



T2W、T3W時

• 開關安裝方式：綁帶方式



- 註1：附空氣緩衝的針閥相關尺寸及孔口口徑與基本型尺寸相同。請參閱第224頁。
- 註2：雙色顯示方式、斷電延遲式、交流磁場用、T1H/V、T8H/V開關的RD、HD、突出尺寸等，請參閱第329頁。
- 註3：附屬品的外形尺寸圖請參閱第238、239頁。

| 記號   | 二山吊耳型 (CB) 基本尺寸 |     |    |    |    |    |     |     |    |    |    |     |     |       |         |         |    |      |    |    |
|------|-----------------|-----|----|----|----|----|-----|-----|----|----|----|-----|-----|-------|---------|---------|----|------|----|----|
|      | 氣缸內徑 (mm)       | B   | CA | CD | CE | CF | CI  | CJ  | CM | CX | CY | CZ  | D   | DA    | EE (註1) | J       | KK | MM   | Q  | SD |
| φ80  | 32              | 232 | 18 | 18 | 35 | 25 | 174 | 80  | 28 | 56 | 64 | 89  | M10 | Rc3/8 | 40      | M22×1.5 | 25 | 44.5 | 50 | 13 |
| φ100 | 41              | 244 | 22 | 22 | 43 | 31 | 182 | 100 | 32 | 64 | 72 | 110 | M12 | Rc1/2 | 50      | M26×1.5 | 30 | 55   | 60 | 16 |

| 記號  | 附防塵套      |    |    |       | 開關安裝方式：導軌方式   |      |       |                  |            |       |                  | 開關安裝方式：綁帶方式 |       |        |            |       |        |            |
|-----|-----------|----|----|-------|---------------|------|-------|------------------|------------|-------|------------------|-------------|-------|--------|------------|-------|--------|------------|
|     | 氣缸內徑 (mm) | b  | d  | s     | φ             | P    | HD    |                  |            | RD    |                  |             | GD    |        |            | GC    |        |            |
|     |           |    |    |       |               |      | T0/T5 | T2/T2R<br>T3/T3P | T2W<br>T3W | T0/T5 | T2/T2R<br>T3/T3P | T2W<br>T3W  | T0/T5 | T2, T3 | T2W<br>T3W | T0/T5 | T2, T3 | T2W<br>T3W |
| 緩衝器 | φ80       | 55 | 50 | 88.7  | (行程4.3) +14.5 | 51   | 9.5   | 13.0             | 15.0       | 20.0  | 20.0             | 22.0        | 9.0   | 9.0    | 11.0       | 16.0  | 16.0   | 18.0       |
|     | φ100      | 56 | 60 | 109.7 | (行程4.5) +21   | 61.5 | 10.0  | 13.5             | 15.5       | 19.5  | 19.5             | 21.5        | 9.5   | 9.5    | 11.5       | 15.5  | 15.5   | 17.5       |

| 記號 | 二山吊耳型 (CB) 基本尺寸 |       |        |            |       |        |            |      |      |    |       |
|----|-----------------|-------|--------|------------|-------|--------|------------|------|------|----|-------|
|    | 氣缸內徑 (mm)       | HD    |        |            | RD    |        |            | P1   | P2   | P3 | Pθ    |
|    |                 | T0/T5 | T2, T3 | T2W<br>T3W | T0/T5 | T2, T3 | T2W<br>T3W |      |      |    |       |
| FJ | φ80             | 13.0  | 13.0   | 15.0       | 20.0  | 20.0   | 22.0       | 51.2 | 53.0 | 16 | (16°) |
| FK | φ100            | 13.5  | 13.5   | 15.5       | 19.5  | 19.5   | 21.5       | 61.7 | 63.5 | 16 | (16°) |

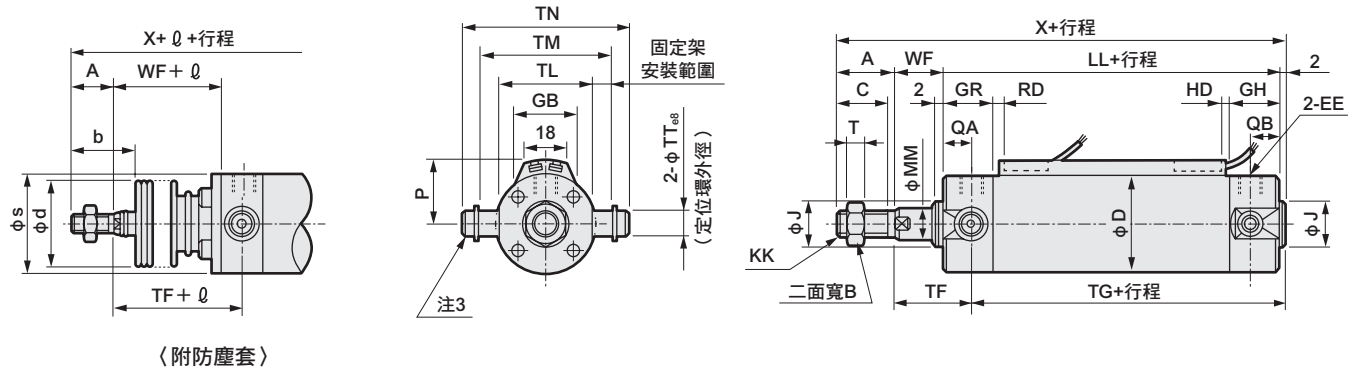


## 外形尺寸圖 (φ20~φ63)

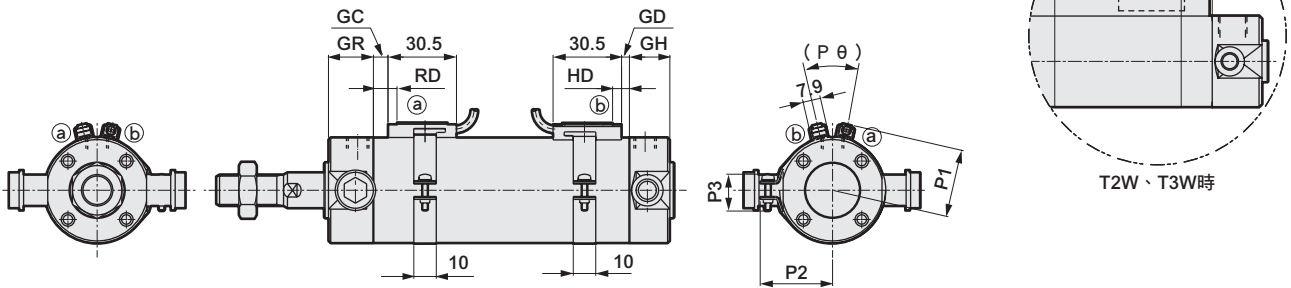


### ● 活塞桿側耳軸型 (TA)

• 開關安裝方式：導軌方式



• 開關安裝方式：綁帶方式



- 註1：附空氣緩衝的針閥相關尺寸及孔口口徑與基本型尺寸相同。請參閱第224頁。(φ20、φ25與基本型不同。)
- 註2：雙色顯示方式、斷電延遲式、交流磁場用、T1H/V、T8H/V開關的RD、HD、突出尺寸等，請參閱第329頁。
- 註3：由定位環、平墊圈、內六角螺栓構成。
- 註4：附屬品的外形尺寸圖請參閱第238、239頁。

| 記號  | 活塞桿側耳軸型 (TA) 基本尺寸 |    |      |    |       |         |    |    |          |    |    |    |    |    |    |    |    |
|-----|-------------------|----|------|----|-------|---------|----|----|----------|----|----|----|----|----|----|----|----|
|     | 氣缸內徑 (mm)         | A  | B    | C  | D     | EE (註1) | GH | GR | J        | KK | LL | MM | QA | QB | T  | TF | TG |
| φ20 | 18                | 13 | 15.5 | 26 | Rc1/8 | 17      | 19 | 12 | M8       | 69 | 8  | 12 | 10 | 5  | 28 | 60 | 28 |
| φ25 | 22                | 17 | 19.5 | 31 | Rc1/8 | 17      | 19 | 14 | M10×1.25 | 69 | 10 | 12 | 10 | 6  | 29 | 60 | 33 |
| φ32 | 22                | 17 | 19.5 | 38 | Rc1/8 | 17      | 19 | 18 | M10×1.25 | 71 | 12 | 12 | 10 | 6  | 29 | 62 | 40 |
| φ40 | 30                | 22 | 27   | 47 | Rc1/8 | 19      | 20 | 25 | M14×1.5  | 78 | 16 | 13 | 12 | 8  | 32 | 68 | 49 |
| φ50 | 35                | 27 | 32   | 58 | Rc1/4 | 22      | 25 | 30 | M18×1.5  | 90 | 20 | 15 | 12 | 11 | 36 | 79 | 60 |
| φ63 | 35                | 27 | 32   | 72 | Rc1/4 | 22      | 25 | 32 | M18×1.5  | 90 | 20 | 15 | 12 | 11 | 36 | 79 | 74 |

| 記號  | 氣缸內徑 (mm) | 附防塵套  |       |         |       |       | 開關安裝方式：導軌方式 |       |               |         |       |       |         |       |               |         |       |               |         |
|-----|-----------|-------|-------|---------|-------|-------|-------------|-------|---------------|---------|-------|-------|---------|-------|---------------|---------|-------|---------------|---------|
|     |           | TM    | TN    | TT      | WF    | X     | b           | d     | s             | ℓ       | P     | GB    | HD      |       |               | RD      |       |               |         |
|     |           | T0/T5 | T2/T3 | T2W/T3W | T0/T5 | T2/T3 | T2W/T3W     | T0/T5 | T2/T3         | T2W/T3W | T0/T5 | T2/T3 | T2W/T3W | T0/T5 | T2/T2R/T3/T3P | T2W/T3W | T0/T5 | T2/T2R/T3/T3P | T2W/T3W |
| φ20 | 39        | 47.6  | 8     | 17      | 106   | 30    | 30          | 25.7  | (行程/3)+18.5   | 19.5    | 23    | 3.0   | 6.5     | 8.5   | 7.5           | 7.5     | 9.5   |               |         |
| φ25 | 43        | 53    | 10    | 18      | 111   | 35    | 30          | 30.7  | (行程/3)+20.5   | 22      | 24.4  | 2.0   | 5.5     | 7.5   | 8.5           | 8.5     | 10.5  |               |         |
| φ32 | 54.5      | 67.7  | 12    | 18      | 113   | 31.5  | 35          | 37.7  | (行程/3)+19     | 25.5    | 25    | 3.0   | 6.5     | 8.5   | 9.5           | 9.5     | 11.5  |               |         |
| φ40 | 65.9      | 81.1  | 14    | 20      | 130   | 40    | 35          | 46.7  | (行程/3)+18.5   | 30      | 25.7  | 5.0   | 8.5     | 10.5  | 11.5          | 11.5    | 13.5  |               |         |
| φ50 | 80        | 98.6  | 16    | 23      | 150   | 46    | 40          | 57.7  | (行程/3.6)+18.5 | 35.5    | 26.2  | 7.5   | 11.0    | 13.0  | 13.0          | 13.0    | 15.0  |               |         |
| φ63 | 98        | 119.2 | 18    | 23      | 150   | 46    | 40          | 71.7  | (行程/3.6)+18.5 | 42.5    | 26.5  | 7.5   | 11.0    | 13.0  | 13.0          | 13.0    | 15.0  |               |         |

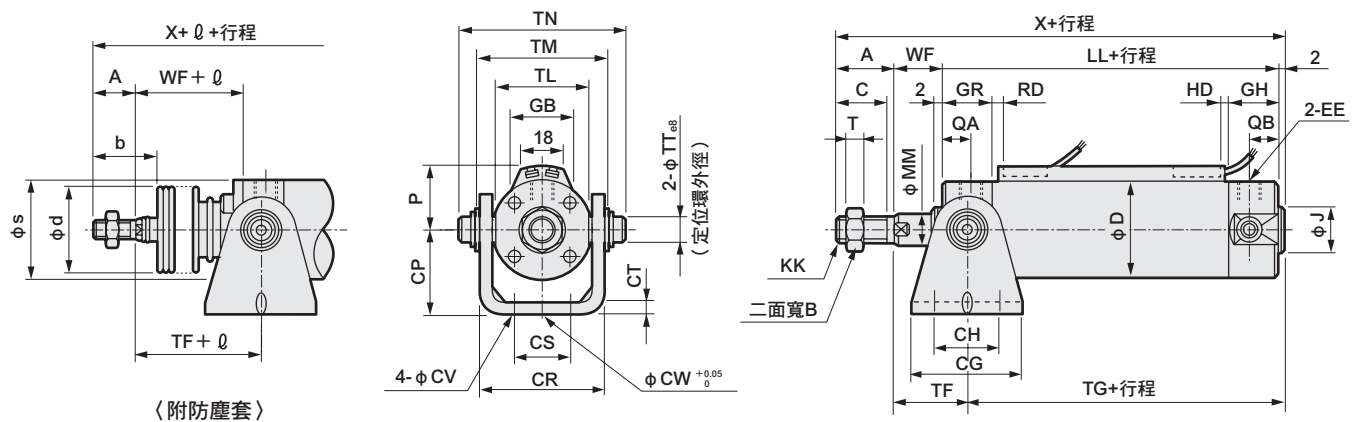
| 記號  | 氣缸內徑 (mm) | 開關安裝方式：綁帶方式 |       |         |       |       |         |       |       |         |       |       |         |      |    |       |    |
|-----|-----------|-------------|-------|---------|-------|-------|---------|-------|-------|---------|-------|-------|---------|------|----|-------|----|
|     |           | GD          |       |         | GC    |       |         | HD    |       |         | RD    |       |         | P1   | P2 | P3    | Pθ |
|     |           | T0/T5       | T2/T3 | T2W/T3W | T0/T5 | T2/T3 | T2W/T3W | T0/T5 | T2/T3 | T2W/T3W | T0/T5 | T2/T3 | T2W/T3W | P1   | P2 | P3    | Pθ |
| φ20 | 2.5       | 2.5         | 4.5   | 3.5     | 3.5   | 5.5   | 6.5     | 6.5   | 8.5   | 7.5     | 7.5   | 9.5   | 19.6    | 21.5 | 14 | (38°) |    |
| φ25 | 1.5       | 1.5         | 3.5   | 4.5     | 4.5   | 6.5   | 5.5     | 5.5   | 7.5   | 8.5     | 8.5   | 10.5  | 22.1    | 23.9 | 14 | (34°) |    |
| φ32 | 2.5       | 2.5         | 4.5   | 5.5     | 5.5   | 7.5   | 6.5     | 6.5   | 8.5   | 9.5     | 9.5   | 11.5  | 25.6    | 27.6 | 16 | (30°) |    |
| φ40 | 4.5       | 4.5         | 6.5   | 7.5     | 7.5   | 9.5   | 8.5     | 8.5   | 10.5  | 11.5    | 11.5  | 13.5  | 30.2    | 32.1 | 16 | (26°) |    |
| φ50 | 7.0       | 7.0         | 9.0   | 9.0     | 9.0   | 11.0  | 11.0    | 11.0  | 13.0  | 13.0    | 13.0  | 15.0  | 35.7    | 37.4 | 16 | (22°) |    |
| φ63 | 7.0       | 7.0         | 9.0   | 9.0     | 9.0   | 11.0  | 11.0    | 11.0  | 13.0  | 13.0    | 13.0  | 15.0  | 42.7    | 44.4 | 16 | (20°) |    |

## 外形尺寸圖 (φ20~φ63)



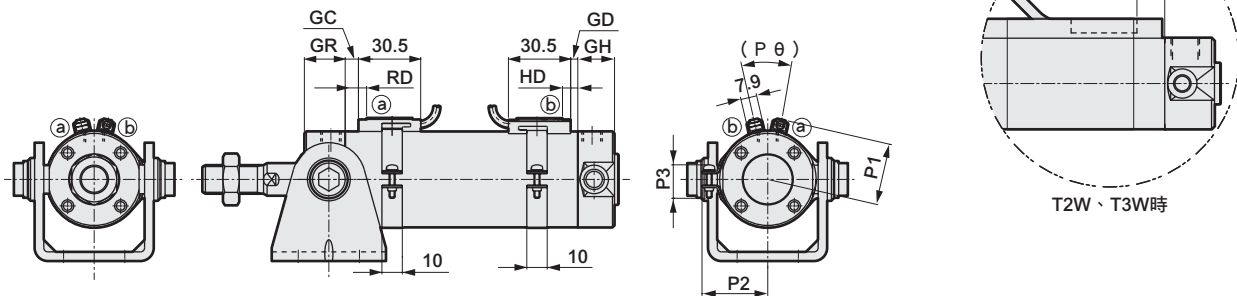
● 活塞桿側耳軸 (TA) 附固定架 (選購品記號: B2)

• 開關安裝方式: 導軌方式



〈防塵套〉

• 開關安裝方式: 綁帶方式



- 註1: 附空氣緩衝的針閥相關尺寸及孔口口徑與基本型尺寸相同。請參閱第224頁。  
 (φ20、φ25與基本型不同。)  
 註2: 雙色顯示方式、斷電延遲式、交流磁場用、T1H/V、T8H/V開關的RD、HD、突出尺寸等, 請參閱第329頁。  
 註3: 附屬品的外形尺寸圖請參閱第238、239頁。

| 記號        | 活塞桿側耳軸型 (TA) 附固定架 (選購品記號B2) 基本尺寸 |    |      |    |    |    |      |    |     |     |    |    |         |    |    |    |          |    |    |    |    |
|-----------|----------------------------------|----|------|----|----|----|------|----|-----|-----|----|----|---------|----|----|----|----------|----|----|----|----|
| 氣缸內徑 (mm) | A                                | B  | C    | CG | CH | CP | CR   | CS | CT  | CV  | CW | D  | EE (註1) | GH | GR | J  | KK       | LL | MM | QA | QB |
| φ20       | 18                               | 13 | 15.5 | 42 | 28 | 25 | 35.8 | 16 | 3.2 | 5.5 | 10 | 26 | Rc1/8   | 17 | 19 | 12 | M8       | 69 | 8  | 12 | 10 |
| φ25       | 22                               | 17 | 19.5 | 42 | 28 | 30 | 39.8 | 20 | 3.2 | 5.5 | 10 | 31 | Rc1/8   | 17 | 19 | 14 | M10×1.25 | 69 | 10 | 12 | 10 |
| φ32       | 22                               | 17 | 19.5 | 48 | 28 | 35 | 49.4 | 22 | 4.5 | 6.6 | 10 | 38 | Rc1/8   | 17 | 19 | 18 | M10×1.25 | 71 | 12 | 12 | 10 |
| φ40       | 30                               | 22 | 27   | 56 | 30 | 40 | 58.4 | 30 | 4.5 | 6.6 | 10 | 47 | Rc1/8   | 19 | 20 | 25 | M14×1.5  | 78 | 16 | 13 | 12 |
| φ50       | 35                               | 27 | 32   | 64 | 36 | 50 | 72.4 | 36 | 6   | 9   | 20 | 58 | Rc1/4   | 22 | 25 | 30 | M18×1.5  | 90 | 20 | 15 | 12 |
| φ63       | 35                               | 27 | 32   | 74 | 46 | 60 | 90.4 | 46 | 8   | 11  | 20 | 72 | Rc1/4   | 22 | 25 | 32 | M18×1.5  | 90 | 20 | 15 | 12 |

| 記號  | 氣缸內徑 (mm) | 防塵套 |    |    |      |       |    |    |     |      |    | 開關安裝方式: 導軌方式 |                |      |      |     |      |      |      |      |      |
|-----|-----------|-----|----|----|------|-------|----|----|-----|------|----|--------------|----------------|------|------|-----|------|------|------|------|------|
|     |           | T   | TF | TG | TL   | TM    | TN | TT | WF  | X    | b  | d            | s              | ℓ    | P    | GB  | HD   |      |      | RD   |      |
| φ20 | 5         | 28  | 60 | 28 | 39   | 47.6  | 8  | 17 | 106 | 30   | 30 | 25.7         | (行程/3) +18.5   | 19.5 | 23   | 3.0 | 6.5  | 8.5  | 7.5  | 7.5  | 9.5  |
| φ25 | 6         | 29  | 60 | 33 | 43   | 53    | 10 | 18 | 111 | 35   | 30 | 30.7         | (行程/3) +20.5   | 22   | 24.4 | 2.0 | 5.5  | 7.5  | 8.5  | 8.5  | 10.5 |
| φ32 | 6         | 29  | 62 | 40 | 54.5 | 67.7  | 12 | 18 | 113 | 31.5 | 35 | 37.7         | (行程/3) +19     | 25.5 | 25   | 3.0 | 6.5  | 8.5  | 9.5  | 9.5  | 11.5 |
| φ40 | 8         | 32  | 68 | 49 | 65.9 | 81.1  | 14 | 20 | 130 | 40   | 35 | 46.7         | (行程/3) +18.5   | 30   | 25.7 | 5.0 | 8.5  | 10.5 | 11.5 | 11.5 | 13.5 |
| φ50 | 11        | 36  | 79 | 60 | 80   | 98.6  | 16 | 23 | 150 | 46   | 40 | 57.7         | (行程/3.6) +18.5 | 35.5 | 26.2 | 7.5 | 11.0 | 13.0 | 13.0 | 13.0 | 15.0 |
| φ63 | 11        | 36  | 79 | 74 | 98   | 119.2 | 18 | 23 | 150 | 46   | 40 | 71.7         | (行程/3.6) +18.5 | 42.5 | 26.5 | 7.5 | 11.0 | 13.0 | 13.0 | 13.0 | 15.0 |

| 記號  | 氣缸內徑 (mm) | 開關安裝方式: 綁帶方式 |     |     |     |      |      |      |      |      |      |      |      |      |    | P1    | P2 | P3 | Pθ |
|-----|-----------|--------------|-----|-----|-----|------|------|------|------|------|------|------|------|------|----|-------|----|----|----|
|     |           | GD           |     |     | GC  |      |      | HD   |      |      | RD   |      |      |      |    |       |    |    |    |
| φ20 | 2.5       | 2.5          | 4.5 | 3.5 | 3.5 | 5.5  | 6.5  | 6.5  | 8.5  | 7.5  | 7.5  | 9.5  | 19.6 | 21.5 | 14 | (38°) |    |    |    |
| φ25 | 1.5       | 1.5          | 3.5 | 4.5 | 4.5 | 6.5  | 5.5  | 5.5  | 7.5  | 8.5  | 8.5  | 10.5 | 22.1 | 23.9 | 14 | (34°) |    |    |    |
| φ32 | 2.5       | 2.5          | 4.5 | 5.5 | 5.5 | 7.5  | 6.5  | 6.5  | 8.5  | 9.5  | 9.5  | 11.5 | 25.6 | 27.6 | 16 | (30°) |    |    |    |
| φ40 | 4.5       | 4.5          | 6.5 | 7.5 | 7.5 | 9.5  | 8.5  | 8.5  | 10.5 | 11.5 | 11.5 | 13.5 | 30.2 | 32.1 | 16 | (26°) |    |    |    |
| φ50 | 7.0       | 7.0          | 9.0 | 9.0 | 9.0 | 11.0 | 11.0 | 11.0 | 13.0 | 13.0 | 13.0 | 15.0 | 35.7 | 37.4 | 16 | (22°) |    |    |    |
| φ63 | 7.0       | 7.0          | 9.0 | 9.0 | 9.0 | 11.0 | 11.0 | 11.0 | 13.0 | 13.0 | 13.0 | 15.0 | 42.7 | 44.4 | 16 | (20°) |    |    |    |

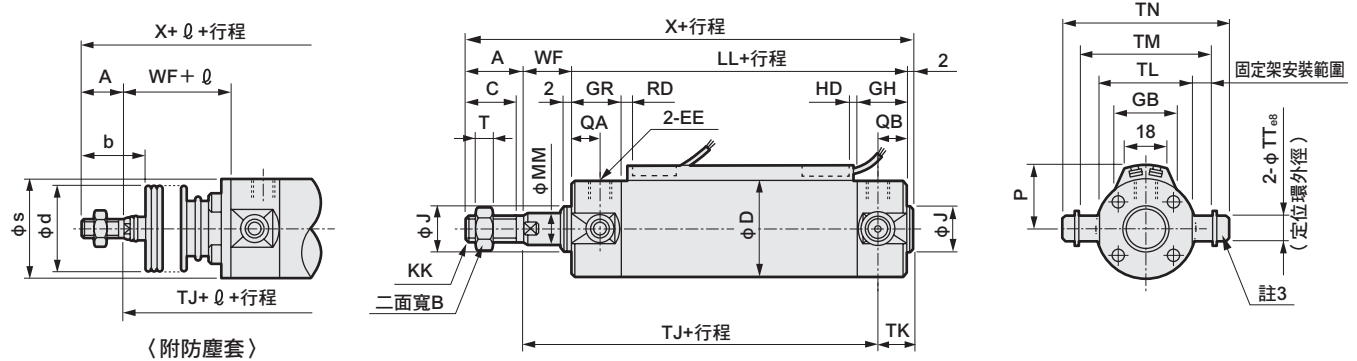


## 外形尺寸圖 (φ20~φ63)

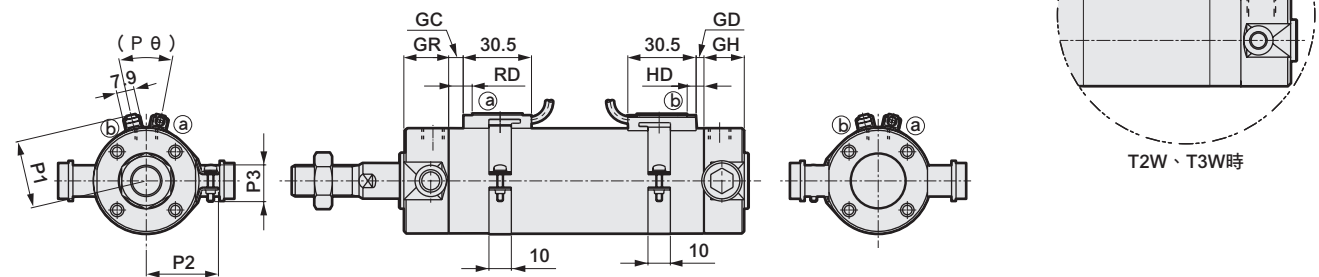


### ● 頭蓋側耳軸型 (TB)

• 開關安裝方式：導軌方式



• 開關安裝方式：綁帶方式



- 註1：附空氣緩衝的針閥相關尺寸及孔口口徑與基本型尺寸相同。請參閱第224頁。  
(φ20、φ25與基本型不同。)
- 註2：雙色顯示方式、斷電延遲式、交流磁場用、T1H/V、T8H/V開關的RD、HD、突出尺寸等，請參閱第329頁。
- 註3：由定位環、平墊圈、內六角螺絲構成。
- 註4：附屬品的外形尺寸圖請參閱第238、239頁。

| 記號  | 頭蓋側耳軸型 (TB) 基本尺寸 |    |      |    |         |    |    |    |          |    |    |    |    |    |     |    |    |      |       |    |    |     |
|-----|------------------|----|------|----|---------|----|----|----|----------|----|----|----|----|----|-----|----|----|------|-------|----|----|-----|
|     | A                | B  | C    | D  | EE (註1) | GH | GR | J  | KK       | LL | MM | QA | QB | T  | TJ  | TK | TL | TM   | TN    | TT | WF | X   |
| φ20 | 18               | 13 | 15.5 | 26 | Rc1/8   | 17 | 19 | 12 | M8       | 69 | 8  | 12 | 10 | 5  | 75  | 13 | 28 | 39   | 47.6  | 8  | 17 | 106 |
| φ25 | 22               | 17 | 19.5 | 31 | Rc1/8   | 17 | 19 | 14 | M10×1.25 | 69 | 10 | 12 | 10 | 6  | 76  | 13 | 33 | 43   | 53    | 10 | 18 | 111 |
| φ32 | 22               | 17 | 19.5 | 38 | Rc1/8   | 17 | 19 | 18 | M10×1.25 | 71 | 12 | 12 | 10 | 6  | 79  | 12 | 40 | 54.5 | 67.7  | 12 | 18 | 113 |
| φ40 | 30               | 22 | 27   | 47 | Rc1/8   | 19 | 20 | 25 | M14×1.5  | 78 | 16 | 13 | 12 | 8  | 88  | 12 | 49 | 65.9 | 81.1  | 14 | 20 | 130 |
| φ50 | 35               | 27 | 32   | 58 | Rc1/4   | 22 | 25 | 30 | M18×1.5  | 90 | 20 | 15 | 12 | 11 | 101 | 14 | 60 | 80   | 98.6  | 16 | 23 | 150 |
| φ63 | 35               | 27 | 32   | 72 | Rc1/4   | 22 | 25 | 32 | M18×1.5  | 90 | 20 | 15 | 12 | 11 | 101 | 14 | 74 | 98   | 119.2 | 18 | 23 | 150 |

| 記號  | 附防塵套 |    |      |                | 開關安裝方式：導軌方式 |      |       |       |         |       |       |         |       | 開關安裝方式：綁帶方式 |         |       |       |         |  |
|-----|------|----|------|----------------|-------------|------|-------|-------|---------|-------|-------|---------|-------|-------------|---------|-------|-------|---------|--|
|     | b    | d  | s    | ℓ              | P           | GB   | HD    |       |         | RD    |       |         | GD    |             |         | GC    |       |         |  |
|     |      |    |      |                |             |      | T0/T5 | T2/T3 | T2W/T3W | T0/T5 | T2/T3 | T2W/T3W | T0/T5 | T2,T3       | T2W/T3W | T0/T5 | T2,T3 | T2W/T3W |  |
| φ20 | 30   | 30 | 25.7 | (行程/3) +18.5   | 19.5        | 23   | 3.0   | 6.5   | 8.5     | 7.5   | 7.5   | 9.5     | 2.5   | 2.5         | 4.5     | 3.5   | 3.5   | 5.5     |  |
| φ25 | 35   | 30 | 30.7 | (行程/3) +20.5   | 22          | 24.4 | 2.0   | 5.5   | 7.5     | 8.5   | 8.5   | 10.5    | 1.5   | 1.5         | 3.5     | 4.5   | 4.5   | 6.5     |  |
| φ32 | 31.5 | 35 | 37.7 | (行程/3) +19     | 25.5        | 25   | 3.0   | 6.5   | 8.5     | 9.5   | 9.5   | 11.5    | 2.5   | 2.5         | 4.5     | 5.5   | 5.5   | 7.5     |  |
| φ40 | 40   | 35 | 46.7 | (行程/3) +18.5   | 30          | 25.7 | 5.0   | 8.5   | 10.5    | 11.5  | 11.5  | 13.5    | 4.5   | 4.5         | 6.5     | 7.5   | 7.5   | 9.5     |  |
| φ50 | 46   | 40 | 57.7 | (行程/3.6) +18.5 | 35.5        | 26.2 | 7.5   | 11.0  | 13.0    | 13.0  | 13.0  | 15.0    | 7.0   | 7.0         | 9.0     | 9.0   | 9.0   | 11.0    |  |
| φ63 | 46   | 40 | 71.7 | (行程/3.6) +18.5 | 42.5        | 26.5 | 7.5   | 11.0  | 13.0    | 13.0  | 13.0  | 15.0    | 7.0   | 7.0         | 9.0     | 9.0   | 9.0   | 11.0    |  |

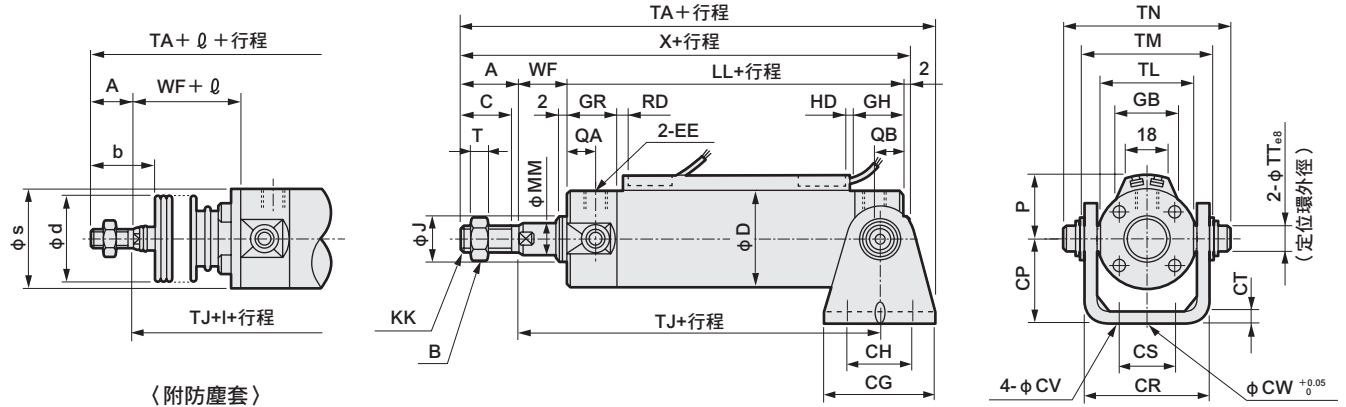
| 記號        | 開關安裝方式：綁帶方式 |       |         |       |       |         |      |      |    |       |
|-----------|-------------|-------|---------|-------|-------|---------|------|------|----|-------|
|           | HD          |       |         | RD    |       |         | P1   | P2   | P3 | Pθ    |
| 氣缸內徑 (mm) | T0/T5       | T2,T3 | T2W/T3W | T0/T5 | T2,T3 | T2W/T3W |      |      |    |       |
| φ20       | 6.5         | 6.5   | 8.5     | 7.5   | 7.5   | 9.5     | 19.6 | 21.5 | 14 | (38°) |
| φ25       | 5.5         | 5.5   | 7.5     | 8.5   | 8.5   | 10.5    | 22.1 | 23.9 | 14 | (34°) |
| φ32       | 6.5         | 6.5   | 8.5     | 9.5   | 9.5   | 11.5    | 25.6 | 27.6 | 16 | (30°) |
| φ40       | 8.5         | 8.5   | 10.5    | 11.5  | 11.5  | 13.5    | 30.2 | 32.1 | 16 | (26°) |
| φ50       | 11.0        | 11.0  | 13.0    | 13.0  | 13.0  | 15.0    | 35.7 | 37.4 | 16 | (22°) |
| φ63       | 11.0        | 11.0  | 13.0    | 13.0  | 13.0  | 15.0    | 42.7 | 44.4 | 16 | (20°) |

## 外形尺寸圖 (φ20~φ63)

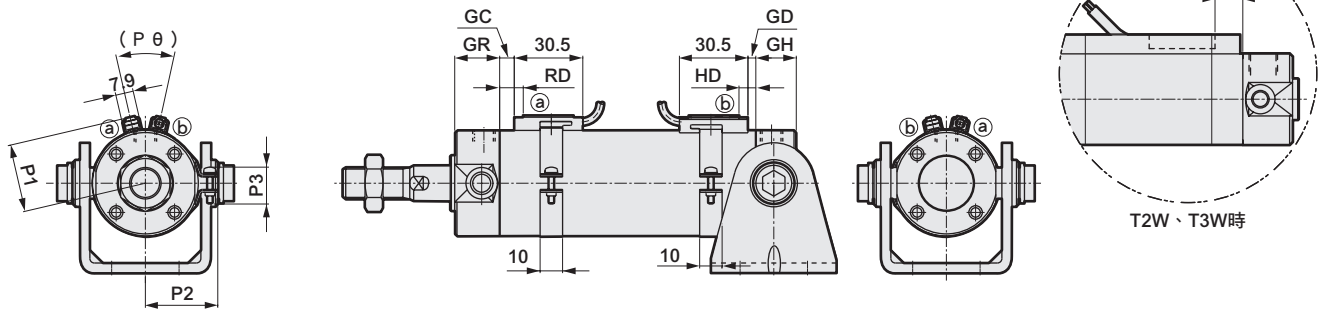


● 頭蓋側耳軸 (TB) 附固定架 (選購品記號: B2)

• 開關安裝方式: 導軌方式



• 開關安裝方式: 綁帶方式



註1: 附空氣緩衝的針閥相關尺寸及孔口口徑與基本型尺寸相同。請參閱第224頁。  
(φ20、φ25與基本型不同。)  
註2: 雙色顯示方式、斷電延遲式、交流磁場用、T1H/V、T8H/V開關的RD、HD、突出尺寸等, 請參閱第329頁。  
註3: 附屬品的外形尺寸圖請參閱第238、239頁。

| 記號        | 頭蓋側耳軸型 (TB) 附固定架 (選購品記號B2) 基本尺寸 |    |      |    |    |    |      |    |     |     |    |    |         |    |    |    |          |    |    |    |    |
|-----------|---------------------------------|----|------|----|----|----|------|----|-----|-----|----|----|---------|----|----|----|----------|----|----|----|----|
| 氣缸內徑 (mm) | A                               | B  | C    | CG | CH | CP | CR   | CS | CT  | CV  | CW | D  | EE (註1) | GH | GR | J  | KK       | LL | MM | QA | QB |
| φ20       | 18                              | 13 | 15.5 | 42 | 28 | 25 | 35.4 | 16 | 3.2 | 5.5 | 10 | 26 | Rc1/8   | 17 | 19 | 12 | M8       | 69 | 8  | 12 | 10 |
| φ25       | 22                              | 17 | 19.5 | 42 | 28 | 30 | 39.4 | 20 | 3.2 | 5.5 | 10 | 31 | Rc1/8   | 17 | 19 | 14 | M10×1.25 | 69 | 10 | 12 | 10 |
| φ32       | 22                              | 17 | 19.2 | 48 | 28 | 35 | 49   | 22 | 4.5 | 6.6 | 10 | 38 | Rc1/8   | 17 | 19 | 18 | M10×1.25 | 71 | 12 | 12 | 10 |
| φ40       | 30                              | 22 | 27   | 56 | 30 | 40 | 58   | 30 | 4.5 | 6.6 | 10 | 47 | Rc1/8   | 19 | 20 | 25 | M14×1.5  | 78 | 16 | 13 | 12 |
| φ50       | 35                              | 27 | 32   | 64 | 36 | 50 | 72   | 36 | 6   | 9   | 20 | 58 | Rc1/4   | 22 | 25 | 30 | M18×1.5  | 90 | 20 | 15 | 12 |
| φ63       | 35                              | 27 | 32   | 74 | 46 | 60 | 90   | 46 | 8   | 11  | 20 | 72 | Rc1/4   | 22 | 25 | 32 | M18×1.5  | 90 | 20 | 15 | 12 |

| 記號  | 附防塵套 |     |     |    |      |       |    |    |     |      |    | 開關安裝方式: 導軌方式 |               |      |      |       |       |         |       |       |         |
|-----|------|-----|-----|----|------|-------|----|----|-----|------|----|--------------|---------------|------|------|-------|-------|---------|-------|-------|---------|
|     | T    | TA  | TJ  | TL | TM   | TN    | TT | WF | X   | b    | d  | s            | ℓ             | P    | GB   | HD    |       |         | RD    |       |         |
|     |      |     |     |    |      |       |    |    |     |      |    |              |               |      |      | T0/T5 | T2/T3 | T2W/T3W | T0/T5 | T2/T3 | T2W/T3W |
| φ20 | 5    | 114 | 75  | 28 | 39   | 47.6  | 8  | 17 | 106 | 30   | 30 | 25.7         | (行程/3)+18.5   | 19.5 | 23   | 3.0   | 6.5   | 8.5     | 7.5   | 7.5   | 9.5     |
| φ25 | 6    | 119 | 76  | 33 | 43   | 53    | 10 | 18 | 111 | 35   | 30 | 30.7         | (行程/3)+20.5   | 22   | 24.4 | 2.0   | 5.5   | 7.5     | 8.5   | 8.5   | 10.5    |
| φ32 | 6    | 125 | 79  | 40 | 54.5 | 67.7  | 12 | 18 | 113 | 31.5 | 35 | 37.7         | (行程/3)+19     | 25.5 | 25   | 3.0   | 6.5   | 8.5     | 9.5   | 9.5   | 11.5    |
| φ40 | 8    | 146 | 88  | 49 | 65.9 | 81.1  | 14 | 20 | 130 | 40   | 35 | 46.7         | (行程/3)+18.5   | 30   | 25.7 | 5.0   | 8.5   | 10.5    | 11.5  | 11.5  | 13.5    |
| φ50 | 11   | 168 | 101 | 60 | 80   | 98.6  | 16 | 23 | 150 | 46   | 40 | 57.7         | (行程/3.6)+18.5 | 35.5 | 26.2 | 7.5   | 11.0  | 13.0    | 13.0  | 13.0  | 15.0    |
| φ63 | 11   | 173 | 101 | 74 | 98   | 119.2 | 18 | 23 | 150 | 46   | 40 | 71.7         | (行程/3.6)+18.5 | 42.5 | 26.5 | 7.5   | 11.0  | 13.0    | 13.0  | 13.0  | 15.0    |

| 記號  | 開關安裝方式: 綁帶方式 |       |         |       |       |         |       |       |         |       |       | P1   | P2   | P3   | Pθ |         |
|-----|--------------|-------|---------|-------|-------|---------|-------|-------|---------|-------|-------|------|------|------|----|---------|
|     | GD           |       |         | GC    |       |         | HD    |       |         | RD    |       |      |      |      |    |         |
|     | T0/T5        | T2,T3 | T2W/T3W | T0/T5 | T2,T3 | T2W/T3W | T0/T5 | T2,T3 | T2W/T3W | T0/T5 | T2,T3 |      |      |      |    | T2W/T3W |
| φ20 | 2.5          | 2.5   | 4.5     | 3.5   | 3.5   | 5.5     | 6.5   | 6.5   | 8.5     | 7.5   | 7.5   | 9.5  | 19.6 | 21.5 | 14 | (38°)   |
| φ25 | 1.5          | 1.5   | 3.5     | 4.5   | 4.5   | 6.5     | 5.5   | 5.5   | 7.5     | 8.5   | 8.5   | 10.5 | 22.1 | 23.9 | 14 | (34°)   |
| φ32 | 2.5          | 2.5   | 4.5     | 5.5   | 5.5   | 7.5     | 6.5   | 6.5   | 8.5     | 9.5   | 9.5   | 11.5 | 25.6 | 27.6 | 16 | (30°)   |
| φ40 | 4.5          | 4.5   | 6.5     | 7.5   | 7.5   | 9.5     | 8.5   | 8.5   | 10.5    | 11.5  | 11.5  | 13.5 | 30.2 | 32.1 | 16 | (26°)   |
| φ50 | 7.0          | 7.0   | 9.0     | 9.0   | 9.0   | 11.0    | 11.0  | 11.0  | 13.0    | 13.0  | 13.0  | 15.0 | 35.7 | 37.4 | 16 | (22°)   |
| φ63 | 7.0          | 7.0   | 9.0     | 9.0   | 9.0   | 11.0    | 11.0  | 11.0  | 13.0    | 13.0  | 13.0  | 15.0 | 42.7 | 44.4 | 16 | (20°)   |

SCP※3  
CMK2  
CMA2  
SCM  
SCG  
SCA2  
SCS2  
CKV2  
CAV2・COV/PIN2  
SSD2  
SSG  
SSD  
CAT  
MDC2  
MVC  
SMG  
MSD・MSDG  
FC※  
STK  
SRL3  
SRG3  
SRM3  
SRT3  
MRL2  
MRG2  
SM-25  
緩衝器  
FJ  
FK  
調速閥  
卷尾

## 附屬品外形尺寸圖



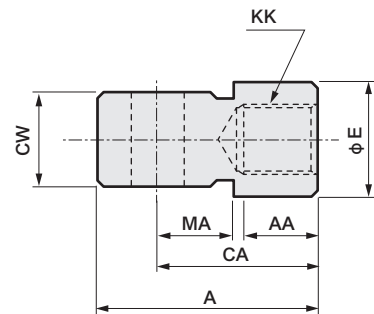
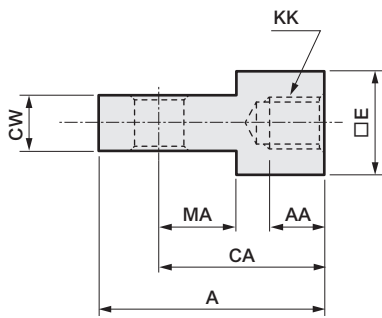
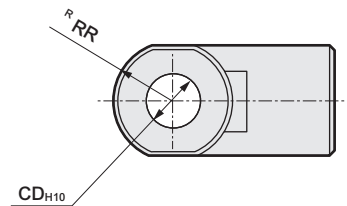
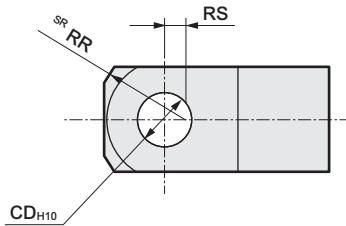
### ● 一山關節

● SCM-I-φ20~φ32

材質：鋼  
鉻酸鹽處理

● SCM-I-φ40~φ100

材質：鑄鐵  
烤漆處理



| 型號        | 適用氣缸內徑 (mm) | A  | AA   | CA | CD | CW                                 | E  | KK       | MA   | RR   | RS  | 重量 (g) |
|-----------|-------------|----|------|----|----|------------------------------------|----|----------|------|------|-----|--------|
| SCM-I-20  | 20          | 34 | 8.5  | 25 | 8  | 8 <sup>-0.2</sup> <sub>-0.4</sub>  | 16 | M8       | 11.5 | 13.4 | 3.1 | 39     |
| SCM-I-25  | 25、32       | 41 | 10.5 | 30 | 10 | 10 <sup>-0.2</sup> <sub>-0.4</sub> | 20 | M10×1.25 | 14   | 17.1 | 4.5 | 72     |
| SCM-I-40  | 40          | 42 | 14   | 30 | 10 | 18 <sup>-0.3</sup> <sub>-0.5</sub> | 22 | M14×1.5  | 14   | 12   | —   | 152    |
| SCM-I-50  | 50、63       | 56 | 18   | 40 | 14 | 22 <sup>-0.3</sup> <sub>-0.5</sub> | 28 | M18×1.5  | 20   | 16   | —   | 158    |
| SCM-I-80  | 80          | 71 | 21   | 50 | 18 | 28 <sup>-0.3</sup> <sub>-0.5</sub> | 38 | M22×1.5  | 27   | 21   | —   | 395    |
| SCM-I-100 | 100         | 79 | 21   | 55 | 22 | 32 <sup>-0.3</sup> <sub>-0.5</sub> | 44 | M26×1.5  | 31   | 24   | —   | 564    |

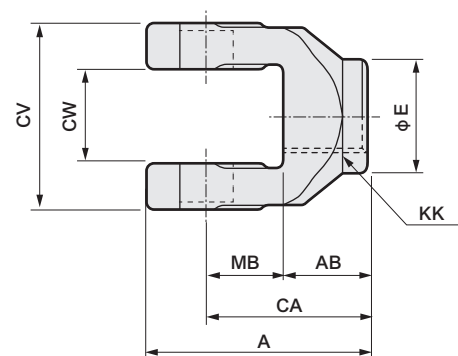
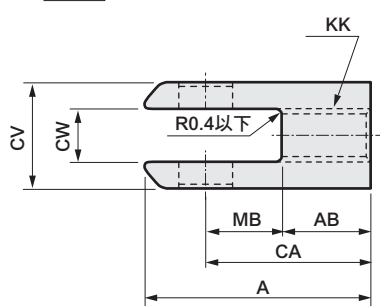
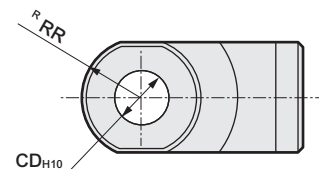
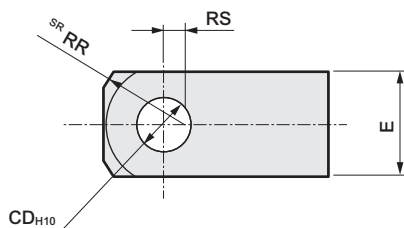
### ● 二山關節

● SCM-Y-φ20~φ32

材質：鋼  
鉻酸鹽處理

● SCM-Y-φ40~φ100

材質：鑄鐵  
烤漆處理



| 型號        | 適用氣缸內徑 (mm) | A  | AB   | CA | CD | CV | CW                                 | E  | KK       | MB   | RR   | RS  | 適用插銷編號    | 重量 (g) |
|-----------|-------------|----|------|----|----|----|------------------------------------|----|----------|------|------|-----|-----------|--------|
| SCM-Y-20  | 20          | 34 | 13.5 | 25 | 8  | 16 | 8 <sup>+0.4</sup> <sub>+0.2</sub>  | 16 | M8       | 11.5 | 13.4 | 3.1 | SCM-P-20  | 46     |
| SCM-Y-25  | 25、32       | 41 | 16   | 30 | 10 | 20 | 10 <sup>+0.4</sup> <sub>+0.2</sub> | 20 | M10×1.25 | 14   | 17.1 | 4.5 | SCM-P-25  | 85     |
| SCM-Y-40  | 40          | 42 | 16   | 30 | 10 | 36 | 18 <sup>+0.5</sup> <sub>+0.3</sub> | 22 | M14×1.5  | 14   | 12   | —   | SCM-P-40  | 122    |
| SCM-Y-50  | 50、63       | 56 | 20   | 40 | 14 | 44 | 22 <sup>+0.5</sup> <sub>+0.3</sub> | 28 | M18×1.5  | 20   | 16   | —   | SCM-P-50  | 258    |
| SCM-Y-80  | 80          | 71 | 23   | 50 | 18 | 56 | 28 <sup>+0.5</sup> <sub>+0.3</sub> | 38 | M22×1.5  | 27   | 21   | —   | SCM-P-80  | 590    |
| SCM-Y-100 | 100         | 79 | 24   | 55 | 22 | 64 | 32 <sup>+0.5</sup> <sub>+0.3</sub> | 44 | M26×1.5  | 31   | 24   | —   | SCM-P-100 | 909    |

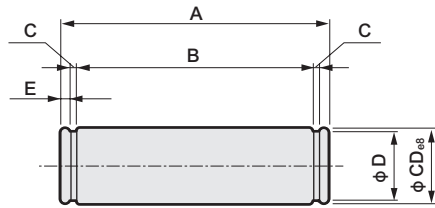
註：添附插銷及止環。

## 附屬品外形尺寸圖

### ● 吊耳用插銷



材質：鋼  
鉻酸鹽處理



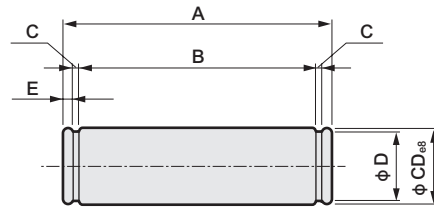
| 型號        | 適用氣缸內徑 (mm) | A     | B    | C    | CD | D    | E   | 使用的止環  | 重量 (g) |
|-----------|-------------|-------|------|------|----|------|-----|--------|--------|
| SCM-P1-20 | 20          | 43.4  | 38.6 | 0.9  | 8  | 7.6  | 1.5 | 軸用C型 8 | 17     |
| SCM-P1-25 | 25          | 48    | 42.6 | 1.15 | 10 | 9.6  | 1.6 | 軸用C型10 | 30     |
| SCM-P1-32 | 32          | 59.4  | 54   | 1.15 | 12 | 11.5 | 1.6 | 軸用C型12 | 52     |
| SCM-P1-40 | 40          | 71.4  | 65   | 1.15 | 14 | 13.4 | 2.1 | 軸用C型14 | 85     |
| SCM-P1-50 | 50          | 86    | 79.6 | 1.15 | 16 | 15.2 | 2.1 | 軸用C型16 | 133    |
| SCM-P1-63 | 63          | 105.4 | 97.8 | 1.35 | 18 | 17   | 2.5 | 軸用C型18 | 207    |

註1：一山吊耳型、二山吊耳型添附插銷及止環。  
註2：φ80、φ100與關節用插銷共用。

### ● 關節用插銷



材質：鋼  
鉻酸鹽處理



| 型號        | 適用氣缸內徑 (mm) | A    | B    | C    | CD | D    | E   | 使用的止環  | 重量 (g) |
|-----------|-------------|------|------|------|----|------|-----|--------|--------|
| SCM-P-20  | 20          | 21   | 16.2 | 0.9  | 8  | 7.6  | 1.5 | 軸用C型 8 | 9      |
| SCM-P-25  | 25、32       | 25.6 | 20.2 | 1.15 | 10 | 9.6  | 1.6 | 軸用C型10 | 16     |
| SCM-P-40  | 40          | 41.6 | 36.2 | 1.15 | 10 | 9.6  | 1.6 | 軸用C型10 | 26     |
| SCM-P-50  | 50、63       | 50.6 | 44.2 | 1.15 | 14 | 13.4 | 2.1 | 軸用C型14 | 60     |
| SCM-P-80  | 80          | 64   | 56.2 | 1.35 | 18 | 17   | 2.6 | 軸用C型18 | 126    |
| SCM-P-100 | 100         | 72   | 64.2 | 1.35 | 22 | 21   | 2.6 | 軸用C型22 | 213    |

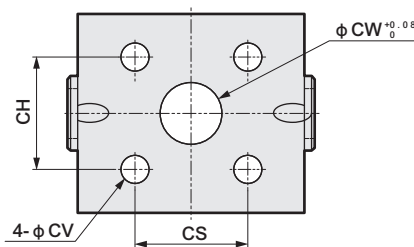
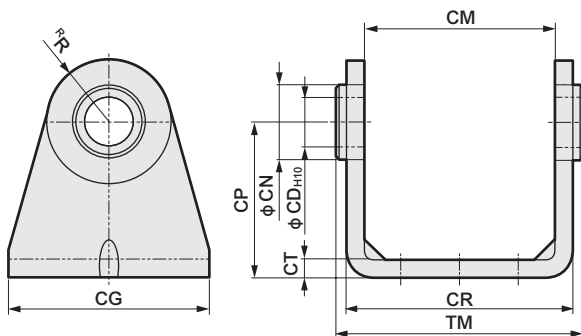
註：二山關節添附插銷及止環。

### ● 第2固定架



● 二山固定架 (B2)  
SCM-B2-φ20~φ63

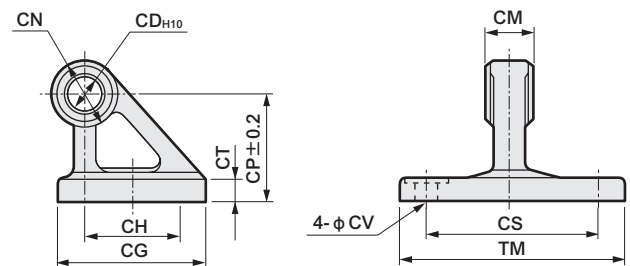
材質：鋼  
鉻酸鹽處理



### ● 一山固定架 (B1)

SCM-B1-φ80~φ100

材質：鑄鐵  
烤漆處理



| 型號         | 適用氣缸內徑 (mm) | CD | CG | CH | CM                                   | CN | CP | CR   | CS  | CT  | CV   | CW | R  | TM   | 重量 (g) |
|------------|-------------|----|----|----|--------------------------------------|----|----|------|-----|-----|------|----|----|------|--------|
| SCM-B2-20  | 20          | 8  | 42 | 28 | 29 <sup>+0.4</sup> / <sub>+0.1</sub> | 13 | 25 | 35.8 | 16  | 3.2 | 5.5  | 10 | 11 | 38   | 72     |
| SCM-B2-25  | 25          | 10 | 42 | 28 | 33 <sup>+0.4</sup> / <sub>+0.1</sub> | 15 | 30 | 39.8 | 20  | 3.2 | 5.5  | 10 | 13 | 42   | 90     |
| SCM-B2-32  | 32          | 12 | 48 | 28 | 40 <sup>+0.5</sup> / <sub>+0.1</sub> | 17 | 35 | 49.4 | 22  | 4.5 | 6.6  | 10 | 15 | 53.4 | 166    |
| SCM-B2-40  | 40          | 14 | 56 | 30 | 49 <sup>+0.5</sup> / <sub>+0.1</sub> | 21 | 40 | 58.4 | 30  | 4.5 | 6.6  | 10 | 18 | 64.4 | 239    |
| SCM-B2-50  | 50          | 16 | 64 | 36 | 60 <sup>+0.5</sup> / <sub>+0.1</sub> | 24 | 50 | 72.4 | 36  | 6   | 9    | 20 | 20 | 78.8 | 417    |
| SCM-B2-63  | 63          | 18 | 74 | 46 | 74 <sup>+0.7</sup> / <sub>+0.1</sub> | 26 | 60 | 90.4 | 46  | 7.5 | 11   | 20 | 22 | 96.6 | 754    |
| SCM-B1-80  | 80          | 18 | 72 | 45 | 28 <sup>-0.1</sup> / <sub>-0.3</sub> | 36 | 55 | -    | 85  | 11  | 11   | -  | -  | 110  | 1000   |
| SCM-B1-100 | 100         | 22 | 93 | 60 | 32 <sup>-0.1</sup> / <sub>-0.3</sub> | 50 | 65 | -    | 100 | 12  | 13.5 | -  | -  | 130  | 1735   |

- SCP※3
- CMK2
- CMA2
- SCM**
- SCG
- SCA2
- SCS2
- CKV2
- CAV2・COV/PIN2
- SSD2
- SSG
- SSD
- CAT
- MDC2
- MVC
- SMG
- MSD・MSDG
- FC※
- STK
- SRL3
- SRG3
- SRM3
- SRT3
- MRL2
- MRG2
- SM-25
- 緩衝器
- FJ
- FK
- 調速閥
- 卷尾



微型氣缸  
單動、推出型

# SCM-X Series

● 氣缸內徑：φ 20、φ 25、φ 32、φ 40

JIS記號



## 規格

| 項目     |      | SCM-X                       |      |      |      |
|--------|------|-----------------------------|------|------|------|
| 氣缸內徑   | mm   | φ 20                        | φ 25 | φ 32 | φ 40 |
| 動作方式   |      | 單動、推出型                      |      |      |      |
| 使用流體   |      | 壓縮空氣                        |      |      |      |
| 最高使用壓力 | MPa  | 1.0                         |      |      |      |
| 最低使用壓力 | MPa  | 0.2                         |      |      |      |
| 耐壓力    | MPa  | 1.6                         |      |      |      |
| 環境溫度   | °C   | -10~60 (避免結凍)               |      |      |      |
| 連接口徑   |      | Rc1/8                       |      |      |      |
| 行程容許差  | mm   | +2.0                        |      |      |      |
|        |      | 0                           |      |      |      |
| 使用活塞速度 | mm/s | 50~1000 (使用時不得超過吸收能量的容許範圍。) |      |      |      |
| 緩衝     |      | 橡膠緩衝                        |      |      |      |
| 給油     |      | 不要 (給油時請使用渦輪機油ISO VG32)     |      |      |      |
| 容許吸收能量 | J    | 0.1                         | 0.2  | 0.5  | 0.9  |

註：單動型氣缸不得長時間加壓後放置。否則，一旦壓力排除後，若彈簧力量疲乏將有可能造成活塞桿無法復原的情形。

## 行程

| 氣缸內徑 (mm) | 標準行程 (mm) | 最大行程 (mm) | 最小行程 (mm) |
|-----------|-----------|-----------|-----------|
| φ 20      | 25、50、75  | 200       | 5         |
| φ 25      |           |           |           |
| φ 32      | 100、125   |           |           |
| φ 40      | 150、200   |           |           |

註1：中間行程的製作規格間距為1mm。

## 彈簧負載

(單位：N)

| 氣缸內徑 (mm) | 行程0mm時 | 全行程動作時 |
|-----------|--------|--------|
| φ 20      | 11.8   | 38     |
| φ 25      | 12.5   | 40.2   |
| φ 32      | 24.3   | 54.9   |
| φ 40      | 28.4   | 100    |

## 開關安裝數量及最小行程 (mm)

● 開關安裝方式：導軌方式

| 開關數量<br>氣缸內徑 (mm) | 1     |         |      |     | 2     |         |      |     | 3     |         |      |     | 4     |         |      |     | 5     |         |      |     |
|-------------------|-------|---------|------|-----|-------|---------|------|-----|-------|---------|------|-----|-------|---------|------|-----|-------|---------|------|-----|
|                   | 無接點   |         |      | 有接點 | 無接點   |         |      | 有接點 | 無接點   |         |      | 有接點 | 無接點   |         |      | 有接點 | 無接點   |         |      | 有接點 |
|                   | T2,T3 | T2W,T3W | T×Y× |     | T2,T3 | T2W,T3W | T×Y× |     | T2,T3 | T2W,T3W | T×Y× |     | T2,T3 | T2W,T3W | T×Y× |     | T2,T3 | T2W,T3W | T×Y× |     |
| φ 20              | 10    |         |      | 25  | 50    |         |      | 70  | 70    | 55      | 55   | 70  | 70    | 55      | 75   | 110 | 110   | 90      |      |     |
| φ 25              | 10    |         |      |     | 50    |         |      | 70  | 70    | 55      | 55   | 70  | 70    | 55      | 75   | 110 | 110   | 90      |      |     |
| φ 32              | 10    |         |      |     | 50    |         |      | 70  | 70    | 55      | 55   | 70  | 70    | 55      | 75   | 110 | 110   | 90      |      |     |
| φ 40              | 10    |         |      |     | 50    |         |      | 70  | 70    | 55      | 55   | 70  | 70    | 55      | 75   | 110 | 110   | 90      |      |     |

● 開關安裝方式：綁帶方式

| 開關數量<br>氣缸內徑 (mm) | 1     |         |      |     | 2     |         |      |     | 3     |         |      |     | 4     |         |      |     | 5     |         |      |     |
|-------------------|-------|---------|------|-----|-------|---------|------|-----|-------|---------|------|-----|-------|---------|------|-----|-------|---------|------|-----|
|                   | 無接點   |         |      | 有接點 | 無接點   |         |      | 有接點 | 無接點   |         |      | 有接點 | 無接點   |         |      | 有接點 | 無接點   |         |      | 有接點 |
|                   | T2,T3 | T2W,T3W | T×Y× |     | T2,T3 | T2W,T3W | T×Y× |     | T2,T3 | T2W,T3W | T×Y× |     | T2,T3 | T2W,T3W | T×Y× |     | T2,T3 | T2W,T3W | T×Y× |     |
| φ 20              | 10    |         |      | 25  | 30    | 35      | 25   | 50  | 55    | 55      | 50   | 75  | 75    | 80      | 70   | 95  | 100   | 100     | 95   |     |
| φ 25              | 10    |         |      |     | 25    | 30      | 35   | 25  | 50    | 55      | 55   | 50  | 75    | 75      | 80   | 70  | 95    | 100     | 100  | 95  |
| φ 32              | 10    |         |      |     | 25    | 30      | 35   | 25  | 50    | 55      | 55   | 50  | 75    | 75      | 80   | 70  | 95    | 100     | 100  | 95  |
| φ 40              | 10    |         |      |     | 25    | 30      | 35   | 25  | 50    | 55      | 55   | 50  | 75    | 75      | 80   | 70  | 95    | 100     | 100  | 95  |

註1：由於附1個開關且行程10mm以上未滿25mm的規格，其開關導軌安裝位置會改變，因此無法製作安裝型式耳軸型。另外，安裝位置請參閱第329頁。



### 開關規格

● 單色/雙色顯示方式

| 項目   | 無接點2線式                           |                       | 無接點2線式                  |                         | 無接點3線式         |                      |                         |                         | 有接點2線式          |            |                                |          | 無接點2線式         |        |                         |
|------|----------------------------------|-----------------------|-------------------------|-------------------------|----------------|----------------------|-------------------------|-------------------------|-----------------|------------|--------------------------------|----------|----------------|--------|-------------------------|
|      | T1H・T1V                          | T2H・T2V・<br>T2JH・T2JV | T2YH・<br>T2YV           | T2WH・<br>T2WV           | T3H・T3V        | T3PH・T3PV<br>(接單生產)  | T3YH・<br>T3YV           | T3WH・<br>T3WV           | T0H・T0V         | T5H・T5V    | T8H・T8V                        |          | T2YD           |        |                         |
| 用途   | 可程式控制器<br>繼電器、小型電磁閥用             |                       | 可程式控制器專用                |                         | 可程式控制器、繼電器用    |                      |                         |                         | 可程式控制器、<br>繼電器用 |            | 可程式控制器、繼電器<br>IC選路(無顯示燈)、串聯連接用 |          | 可程式<br>控制器專用   |        |                         |
| 輸出方式 | —                                |                       |                         |                         | NPN輸出          | PNP輸出                | NPN輸出                   | NPN輸出                   | —               |            |                                |          |                |        |                         |
| 電源電壓 | —                                |                       |                         |                         | DC10~28V       |                      |                         |                         | —               |            |                                |          |                |        |                         |
| 負載電壓 | AC85~265V                        | DC10~30V              | DC24V±10%               | DC30V以下                 |                |                      |                         | DC12/24V                | AC100/110V      | DC5/12/24V | AC100/110V                     | DC12/24V | AC110V         | AC220V | DC24V±10%               |
| 負載電流 | 5~100mA                          | 5~20mA (註2)           |                         | 100mA以下                 |                | 50mA以下               |                         | 5~50mA                  | 7~20mA          | 50mA以下     | 20mA以下                         | 5~50mA   | 7~20mA         | 7~10mA | 5~20mA                  |
| 顯示燈  | LED<br>(ON時亮燈)                   | LED<br>(ON時亮燈)        | 紅色/綠色<br>LED<br>(ON時亮燈) | 紅色/綠色<br>LED<br>(ON時亮燈) | LED<br>(ON時亮燈) | 黃色<br>LED<br>(ON時亮燈) | 紅色/綠色<br>LED<br>(ON時亮燈) | 紅色/綠色<br>LED<br>(ON時亮燈) | LED<br>(ON時亮燈)  |            | 無顯示燈                           |          | LED<br>(ON時亮燈) |        | 紅色/綠色<br>LED<br>(ON時亮燈) |
| 漏電流  | AC100V時電流小於1mA<br>AC200V時電流小於2mA | 1mA以下                 |                         | 10μA以下                  |                |                      |                         | 0mA                     |                 |            |                                | 1mA以下    |                |        |                         |
| 重量   | 1m : 33                          | 1m : 18               | 1m : 33                 | 1m : 18                 | 1m : 18        | 1m : 33              | 1m : 18                 | 1m : 18 3m : 49 5m : 80 |                 |            |                                | 1m : 33  | 1m : 61        |        |                         |
|      | 3m : 87                          | 3m : 49               | 3m : 87                 | 3m : 49                 | 3m : 49        | 3m : 87              | 3m : 49                 | 3m : 49 5m : 80         |                 |            |                                | 3m : 87  | 3m : 166       |        |                         |
|      | 5m : 142                         | 5m : 80               | 5m : 142                | 5m : 80                 | 5m : 80        | 5m : 142             | 5m : 80                 | 5m : 80                 |                 |            |                                | 5m : 142 | 5m : 272       |        |                         |

註1：其他開關規格，請參閱卷尾第1頁。

註2：上述負載電流的最大值：20mA為溫度25°C時的數值。開關使用環境溫度若高於25°C，電流將降至低於20mA。  
(溫度到達60°C時，則電流為5~10mA。)

註3：T0/T5開關也可使用AC220V。關於使用條件，請洽詢本公司。

註4：交流磁場用開關(T2YD)於直流磁場環境下無法使用。

註5：外形尺寸視開關型號而異。詳細內容請參閱卷尾第18頁。

### 氣缸重量

● 行程：5~50

| 項目、安裝型式 | 行程(S)=0mm時的產品重量 |       |      |      |      | 開關重量<br>(每1個)         | S=10mm時的<br>累計重量 | S=10mm時的累計<br>重量(附導軌) | 1個開關的<br>綁帶重量 |
|---------|-----------------|-------|------|------|------|-----------------------|------------------|-----------------------|---------------|
|         | 基本型             | 軸向腳架型 | 法蘭型  | 吊耳型  | 耳軸型  |                       |                  |                       |               |
| 氣缸內徑    |                 |       |      |      |      | 請參閱開關<br>規格內記載<br>的重量 | 0.010            | 0.012                 | 0.007         |
| φ20     | 0.15            | 0.26  | 0.18 | 0.20 | 0.16 |                       |                  |                       |               |
| φ25     | 0.24            | 0.37  | 0.28 | 0.32 | 0.26 |                       |                  |                       |               |
| φ32     | 0.36            | 0.52  | 0.42 | 0.51 | 0.39 |                       |                  |                       |               |
| φ40     | 0.59            | 0.81  | 0.67 | 0.82 | 0.64 | 0.030                 | 0.032            | 0.007                 |               |

● 行程：51~100

| 項目、安裝型式 | 行程(S)=0mm時的產品重量 |       |      |      |      | 開關重量<br>(每1個)         | S=10mm時的<br>累計重量 | S=10mm時的累計<br>重量(附導軌) | 1個開關的<br>綁帶重量 |
|---------|-----------------|-------|------|------|------|-----------------------|------------------|-----------------------|---------------|
|         | 基本型             | 軸向腳架型 | 法蘭型  | 吊耳型  | 耳軸型  |                       |                  |                       |               |
| 氣缸內徑    |                 |       |      |      |      | 請參閱開關<br>規格內記載<br>的重量 | 0.010            | 0.012                 | 0.007         |
| φ20     | 0.19            | 0.30  | 0.22 | 0.24 | 0.20 |                       |                  |                       |               |
| φ25     | 0.32            | 0.45  | 0.36 | 0.40 | 0.34 |                       |                  |                       |               |
| φ32     | 0.46            | 0.62  | 0.52 | 0.61 | 0.49 |                       |                  |                       |               |
| φ40     | 0.76            | 0.98  | 0.84 | 0.99 | 0.81 | 0.030                 | 0.032            | 0.007                 |               |

● 行程：101~150

| 項目、安裝型式 | 行程(S)=0mm時的產品重量 |       |      |      |      | 開關重量<br>(每1個)         | S=10mm時的<br>累計重量 | S=10mm時的累計<br>重量(附導軌) | 1個開關的<br>綁帶重量 |
|---------|-----------------|-------|------|------|------|-----------------------|------------------|-----------------------|---------------|
|         | 基本型             | 軸向腳架型 | 法蘭型  | 吊耳型  | 耳軸型  |                       |                  |                       |               |
| 氣缸內徑    |                 |       |      |      |      | 請參閱開關<br>規格內記載<br>的重量 | 0.010            | 0.012                 | 0.007         |
| φ20     | 0.24            | 0.35  | 0.27 | 0.29 | 0.25 |                       |                  |                       |               |
| φ25     | 0.39            | 0.52  | 0.43 | 0.47 | 0.41 |                       |                  |                       |               |
| φ32     | 0.55            | 0.71  | 0.61 | 0.70 | 0.58 |                       |                  |                       |               |
| φ40     | 0.94            | 1.16  | 1.02 | 1.17 | 0.99 | 0.030                 | 0.032            | 0.007                 |               |

● 行程：151~200

| 項目、安裝型式 | 行程(S)=0mm時的產品重量 |       |      |      |      | 開關重量<br>(每1個)         | S=10mm時的<br>累計重量 | S=10mm時的累計<br>重量(附導軌) | 1個開關的<br>綁帶重量 |
|---------|-----------------|-------|------|------|------|-----------------------|------------------|-----------------------|---------------|
|         | 基本型             | 軸向腳架型 | 法蘭型  | 吊耳型  | 耳軸型  |                       |                  |                       |               |
| 氣缸內徑    |                 |       |      |      |      | 請參閱開關<br>規格內記載<br>的重量 | 0.010            | 0.012                 | 0.007         |
| φ20     | 0.29            | 0.40  | 0.32 | 0.34 | 0.30 |                       |                  |                       |               |
| φ25     | 0.46            | 0.59  | 0.50 | 0.54 | 0.48 |                       |                  |                       |               |
| φ32     | 0.65            | 0.81  | 0.71 | 0.80 | 0.68 |                       |                  |                       |               |
| φ40     | 1.11            | 1.33  | 1.19 | 1.34 | 1.16 | 0.030                 | 0.032            | 0.007                 |               |

|                                  |  |
|----------------------------------|--|
| (範例) SCM-X-LB-40D-100-T2H-D的產品重量 | $\left\{ \begin{array}{l} S=0\text{mm時的產品重量} \cdots \cdots \cdots 0.98\text{kg} \\ S=10\text{mm時的累計重量} \cdots \cdots \cdots 0.032 \times \frac{100}{10} = 0.32\text{kg} \\ \text{2個開關的重量} \cdots \cdots \cdots 0.036\text{kg} \\ \text{產品重量} \cdots \cdots \cdots 0.98\text{kg} + 0.32\text{kg} + 0.036\text{kg} = 1.336\text{kg} \end{array} \right.$ |
|----------------------------------|--|

SCP※3  
CMK2  
CMA2  
SCM  
SCG  
SCA2  
SCS2  
CKV2  
CAV2・  
COV/PIN2  
SSD2  
SSG  
SSD  
CAT  
MDC2  
MVC  
SMG  
MSD・  
MSDG  
FC※  
STK  
SRL3  
SRG3  
SRM3  
SRT3  
MRL2  
MRG2  
SM-25  
緩衝器  
FJ  
FK  
調速閥  
卷尾

## 型號標示方法

無開關（內置開關用磁鐵）

SCM-X - LB - 40 - D - 100 - J I

附開關（內置開關用磁鐵）

SCM-X - LB - 40 - D - 100 - T0H - D - J I

A 安裝型式  
註1

B 氣缸內徑

C 配管螺牙種類

D 緩衝

E 行程

F 開關型號  
註3  
註4

G 開關數量  
註5

H 開關安裝方式

I 選購品  
註5、註7

J 附屬品  
註8

### 選定型號時的注意事項

- 註1：安裝固定架將添附於產品內一併出貨。  
 註2：關於開關安裝數量及最小行程，請參閱第240頁。  
 註3：除了F所示的開關型號外，亦備有其他開關可供選擇。（接單生產）  
 詳細內容請參閱卷尾第1頁。  
 註4：若開關安裝方式為導軌方式，將無法配置T8H/V開關。  
 註5：瞬間最高溫度是指火花或切削粉末等瞬間接觸到防塵套時的溫度。  
 註6：有關活塞桿前端外形製作規格，請參閱卷尾第85頁。  
 註7：開關安裝方式若選定「Z」，將無法選定添附開關導軌出貨「Q」之選項。  
 註8：無法同時選定「I」和「Y」。  
 註9：開關將添附於產品內一併出貨。如需組裝產品後出貨，請洽詢本公司。

### 〈型號標示範例〉

SCM-X-LB-40D-100-T0H-D-JI

機型：微型氣缸 單動、推出型

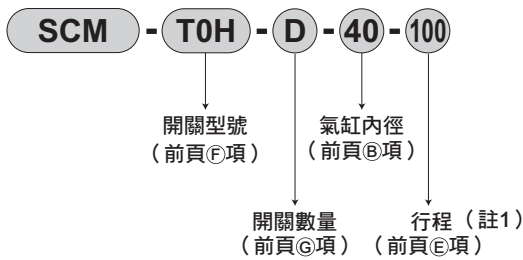
- A 安裝型式：軸向腳架型  
 B 氣缸內徑：φ40mm  
 C 配管螺牙種類：Rc螺牙  
 D 緩衝：附兩側橡膠緩衝  
 E 行程：100mm  
 F 開關型號：無接點T0H開關、導線1m  
 G 開關數量：附2個  
 H 開關安裝方式：導軌方式  
 I 選購品：防塵套材質、最高環境溫度60°C  
 J 附屬品：一山關節

| 記號                 | 內容                  |         |        |    |             |    |
|--------------------|---------------------|---------|--------|----|-------------|----|
| <b>A 安裝型式</b>      |                     |         |        |    |             |    |
| 00                 | 基本型                 |         |        |    |             |    |
| LB                 | 軸向腳架型               |         |        |    |             |    |
| FA                 | 活塞桿側法蘭型             |         |        |    |             |    |
| FB                 | 頭蓋側法蘭型              |         |        |    |             |    |
| CA                 | 一山吊耳型               |         |        |    |             |    |
| TA                 | 活塞桿側耳軸型             |         |        |    |             |    |
| TB                 | 頭蓋側耳軸型              |         |        |    |             |    |
| <b>B 氣缸內徑 (mm)</b> |                     |         |        |    |             |    |
| 20                 | φ20                 |         |        |    |             |    |
| 25                 | φ25                 |         |        |    |             |    |
| 32                 | φ32                 |         |        |    |             |    |
| 40                 | φ40                 |         |        |    |             |    |
| <b>C 配管螺牙種類</b>    |                     |         |        |    |             |    |
| 無記號                | Rc螺牙                |         |        |    |             |    |
| N                  | NPT螺牙（接單生產）         |         |        |    |             |    |
| G                  | G螺牙（接單生產）           |         |        |    |             |    |
| <b>D 緩衝</b>        |                     |         |        |    |             |    |
| D                  | 附兩側橡膠緩衝             |         |        |    |             |    |
| <b>E 行程 (mm)</b>   |                     |         |        |    |             |    |
| 氣缸內徑               | 行程註2                | 中間行程    |        |    |             |    |
| φ20~φ40            | 5~200               | 以1mm為單位 |        |    |             |    |
| <b>F 開關型號</b>      |                     |         |        |    |             |    |
| 導線直型               | 導線L型                | 接點      | 電壓     | 顯示 | 導線          |    |
|                    |                     |         | AC     | DC |             |    |
| T0H※               | T0V※                | 有接點     | ●      | ●  | 單色顯示方式      | 2線 |
| T5H※               | T5V※                |         | ●      | ●  |             |    |
| T8H※               | T8V※                |         | ●      | ●  | 單色顯示方式      |    |
| T1H※               | T1V※                | 無接點     | ●      |    | 單色顯示方式      | 2線 |
| T2H※               | T2V※                |         |        | ●  |             |    |
| T3H※               | T3V※                |         |        | ●  | 雙色顯示方式      | 2線 |
| T3PH※              | T3PV※               |         |        | ●  |             |    |
| T2WH※              | T2WV※               |         |        | ●  | 雙色顯示方式      | 2線 |
| T2YH※              | T2YV※               |         |        | ●  |             |    |
| T3WH※              | T3WV※               |         |        | ●  | 雙色顯示方式      | 2線 |
| T3YH※              | T3YV※               |         |        | ●  |             |    |
| T2YD※              | -                   |         |        | ●  | 單色顯示方式斷電延遲型 | 2線 |
| T2YDT※             | -                   |         |        | ●  |             |    |
| T2JV※              | T2JV※               |         | ●      |    |             |    |
| <b>※導線長度</b>       |                     |         |        |    |             |    |
| 無記號                | 1m（標準）              |         |        |    |             |    |
| 3                  | 3m（選購品）             |         |        |    |             |    |
| 5                  | 5m（選購品）             |         |        |    |             |    |
| <b>G 開關數量</b>      |                     |         |        |    |             |    |
| R                  | 活塞桿側附1個             |         |        |    |             |    |
| H                  | 頭蓋側附1個              |         |        |    |             |    |
| D                  | 附2個                 |         |        |    |             |    |
| T                  | 附3個                 |         |        |    |             |    |
| 4                  | 附4個（如為4個以上，則加入開關數量） |         |        |    |             |    |
| <b>H 開關安裝方式</b>    |                     |         |        |    |             |    |
| 無記號                | 導軌方式                |         |        |    |             |    |
| Z                  | 綁帶方式                |         |        |    |             |    |
| <b>I 選購品</b>       |                     |         |        |    |             |    |
|                    |                     | 最高環境溫度  | 瞬間最高溫度 |    |             |    |
| J                  | 防塵套材質               | 60°C    | 100°C  |    |             |    |
| K                  | 防塵套材質               | 100°C   | 200°C  |    |             |    |
| L                  | 防塵套材質               | 250°C   | 400°C  |    |             |    |
| Q                  | 開關導軌添附出貨            |         |        |    |             |    |
| M                  | 活塞桿材質（不鏽鋼）          |         |        |    |             |    |
| P6                 | 銅離子防止處理             |         |        |    |             |    |
| <b>J 附屬品</b>       |                     |         |        |    |             |    |
| I                  | 一山關節                |         |        |    |             |    |
| Y                  | 二山關節（添附插銷及止環）       |         |        |    |             |    |
| B2                 | 二山固定架               |         |        |    |             |    |

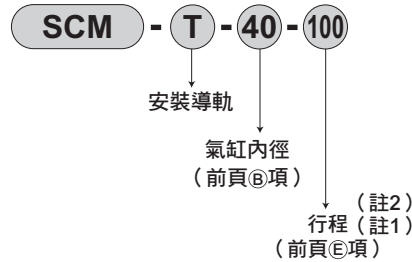
## 開關單品型號標示方法

〈開關安裝方式：導軌方式〉

- 開關本體+安裝導軌一式



- 僅安裝導軌



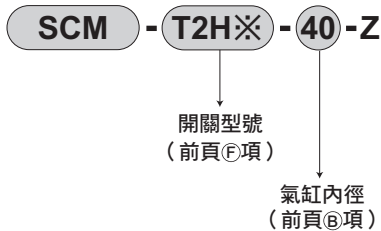
註1：行程超出300mm者請標示X。

行程超出300mm時，每一個開關將附有1支短導軌（開關調整移動距離為100mm）。

註2：僅安裝導軌且標示為X時，請依照所使用的開關數量訂購相同數量的導軌。

〈開關安裝方式：綁帶方式〉

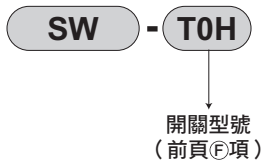
- 開關本體+安裝固定架一式+綁帶



- 安裝固定架一式+綁帶



〈僅開關本體〉



## 安裝固定架型號標示方法

| 氣缸內徑 (mm)   | φ 20      | φ 25      | φ 32      | φ 40      |
|-------------|-----------|-----------|-----------|-----------|
| 安裝固定架       |           |           |           |           |
| 腳架 (LB)     | SCM-LB-20 | SCM-LB-25 | SCM-LB-32 | SCM-LB-40 |
| 法蘭 (FA/FB)  | SCM-FA-20 | SCM-FA-25 | SCM-FA-32 | SCM-FA-40 |
| 一山吊耳 (CA)   | SCM-CA-20 | SCM-CA-25 | SCM-CA-32 | SCM-CA-40 |
| 耳軸型 (TA/TB) | SCM-TA-20 | SCM-TA-25 | SCM-TA-32 | SCM-TA-40 |

註1：各安裝固定架皆有添附安裝用螺栓。

註2：腳架型安裝固定架為每組2個。

## 理論推力表

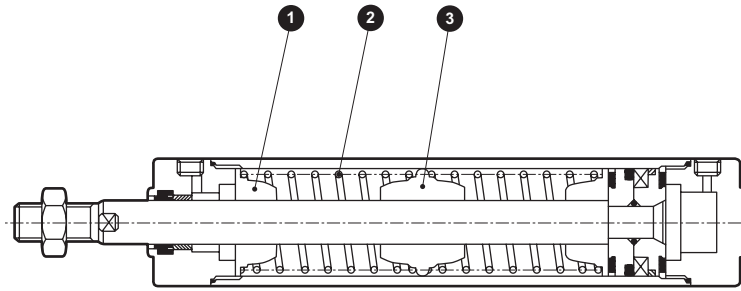
(單位：N)

| 氣缸內徑 (mm) | 動作方向 | 使用壓力 MPa             |                      |                      |                      |                      |                      |                      |                      |                      |                      |                      |
|-----------|------|----------------------|----------------------|----------------------|----------------------|----------------------|----------------------|----------------------|----------------------|----------------------|----------------------|----------------------|
|           |      | 0.1                  | 0.15                 | 0.2                  | 0.3                  | 0.4                  | 0.5                  | 0.6                  | 0.7                  | 0.8                  | 0.9                  | 1.0                  |
| φ 20      | Push | 31.4                 | 47.1                 | 62.8                 | 94.2                 | 1.26×10 <sup>2</sup> | 1.57×10 <sup>2</sup> | 1.88×10 <sup>2</sup> | 2.20×10 <sup>2</sup> | 2.51×10 <sup>2</sup> | 2.83×10 <sup>2</sup> | 3.14×10 <sup>2</sup> |
|           | Pull | 26.4                 | 39.6                 | 52.8                 | 79.2                 | 1.06×10 <sup>2</sup> | 1.32×10 <sup>2</sup> | 1.58×10 <sup>2</sup> | 1.85×10 <sup>2</sup> | 2.11×10 <sup>2</sup> | 2.38×10 <sup>2</sup> | 2.64×10 <sup>2</sup> |
| φ 25      | Push | 49.1                 | 73.6                 | 98.2                 | 1.47×10 <sup>2</sup> | 1.96×10 <sup>2</sup> | 2.45×10 <sup>2</sup> | 2.95×10 <sup>2</sup> | 3.44×10 <sup>2</sup> | 3.93×10 <sup>2</sup> | 4.42×10 <sup>2</sup> | 4.91×10 <sup>2</sup> |
|           | Pull | 41.2                 | 61.9                 | 82.5                 | 1.24×10 <sup>2</sup> | 1.65×10 <sup>2</sup> | 2.06×10 <sup>2</sup> | 2.47×10 <sup>2</sup> | 2.89×10 <sup>2</sup> | 3.30×10 <sup>2</sup> | 3.71×10 <sup>2</sup> | 4.12×10 <sup>2</sup> |
| φ 32      | Push | 80.4                 | 1.21×10 <sup>2</sup> | 1.61×10 <sup>2</sup> | 2.41×10 <sup>2</sup> | 3.22×10 <sup>2</sup> | 4.02×10 <sup>2</sup> | 4.83×10 <sup>2</sup> | 5.63×10 <sup>2</sup> | 6.43×10 <sup>2</sup> | 7.24×10 <sup>2</sup> | 8.04×10 <sup>2</sup> |
|           | Pull | 69.1                 | 1.04×10 <sup>2</sup> | 1.38×10 <sup>2</sup> | 2.07×10 <sup>2</sup> | 2.76×10 <sup>2</sup> | 3.46×10 <sup>2</sup> | 4.15×10 <sup>2</sup> | 4.84×10 <sup>2</sup> | 5.53×10 <sup>2</sup> | 6.22×10 <sup>2</sup> | 6.91×10 <sup>2</sup> |
| φ 40      | Push | 1.26×10 <sup>2</sup> | 1.88×10 <sup>2</sup> | 2.51×10 <sup>2</sup> | 3.77×10 <sup>2</sup> | 5.03×10 <sup>2</sup> | 6.28×10 <sup>2</sup> | 7.54×10 <sup>2</sup> | 8.80×10 <sup>2</sup> | 1.01×10 <sup>3</sup> | 1.13×10 <sup>3</sup> | 1.26×10 <sup>3</sup> |
|           | Pull | 1.06×10 <sup>2</sup> | 1.58×10 <sup>2</sup> | 2.11×10 <sup>2</sup> | 3.17×10 <sup>2</sup> | 4.22×10 <sup>2</sup> | 5.28×10 <sup>2</sup> | 6.33×10 <sup>2</sup> | 7.39×10 <sup>2</sup> | 8.44×10 <sup>2</sup> | 9.50×10 <sup>2</sup> | 1.06×10 <sup>3</sup> |

- SCP※3
- CMK2
- CMA2
- SCM**
- SCG
- SCA2
- SCS2
- CKV2
- CAV2・COVPIN2
- SSD2
- SSG
- SSD
- CAT
- MDC2
- MVC
- SMG
- MSD・MSDG
- FC※
- STK
- SRL3
- SRG3
- SRM3
- SRT3
- MRL2
- MRG2
- SM-25
- 緩衝器
- FJ
- FK
- 調速閥
- 卷尾

## 內部結構及零件一覽表

- SCP※3
- CMK2
- CMA2
- SCM**
- SCG
- SCA2
- SCS2
- CKV2
- CAV2・COVPIN2
- SSD2
- SSG
- SSD
- CAT
- MDC2
- MVC
- SMG
- MSD・MSDG
- FC※
- STK
- SRL3
- SRG3
- SRM3
- SRT3
- MRL2
- MRG2
- SM-25
- 緩衝器
- FJ
- FK
- 調速閥
- 卷尾



### 消耗性零件一覽表

消耗零件編號係依照SCM系列內部結構圖（第222頁）所示。

| 編號 | 零件名稱 | 材質  | 備註   |
|----|------|-----|------|
| 1  | 彈簧座A | 鋁合金 |      |
| 2  | 圓柱彈簧 | 鋼琴線 | 電鍍烤漆 |
| 3  | 彈簧座B | 鋁合金 |      |

上述以外的零件皆與複動型相同。

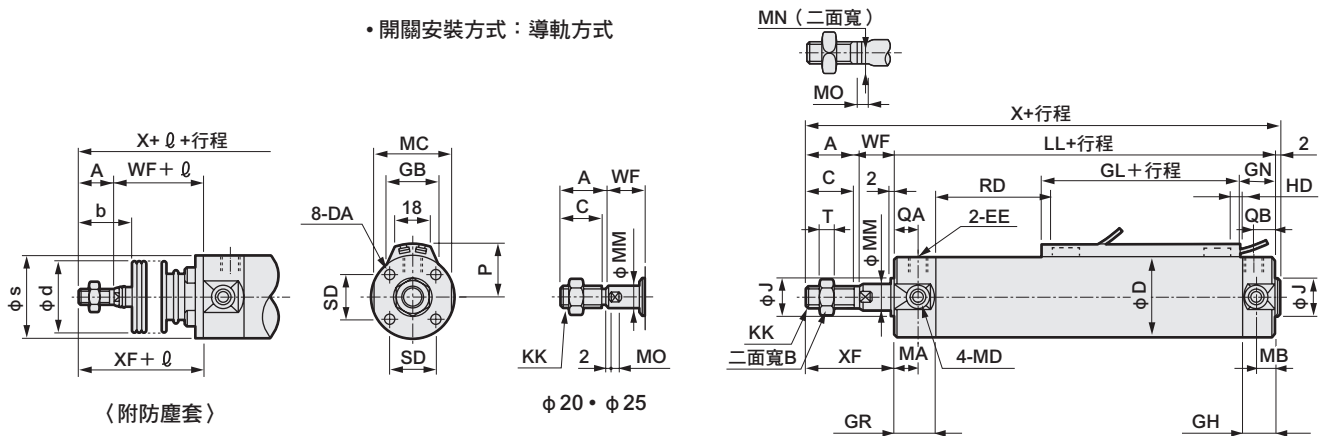
| 氣缸內徑 (mm) | 套件編號       | 消耗性零件編號     |
|-----------|------------|-------------|
| φ 20      | SCM-X-20DK | 3 6 8 10 13 |
| φ 25      | SCM-X-25DK |             |
| φ 32      | SCM-X-32DK |             |
| φ 40      | SCM-X-40DK |             |

### 外形尺寸圖

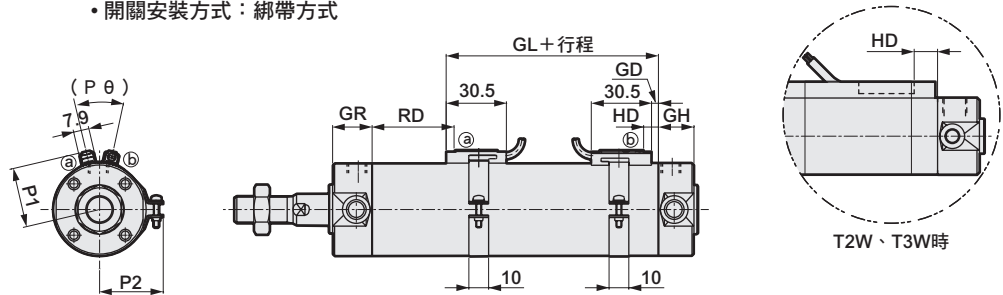


● 單動推出型

● 開關安裝方式：導軌方式



● 開關安裝方式：綁帶方式



註1：雙色顯示方式、斷電延遲式、交流磁場用、T1H/V、T8H/V開關的RD、HD、突出尺寸等，請參閱第329頁。

| 記號        | 基本型 (00) 基本尺寸      |        |         |         |         |        |         |         |             |          |                    | LL      |         |         |         |         |         |        |         |         |         |      |        |         |         |       |
|-----------|--------------------|--------|---------|---------|---------|--------|---------|---------|-------------|----------|--------------------|---------|---------|---------|---------|---------|---------|--------|---------|---------|---------|------|--------|---------|---------|-------|
|           | A                  | B      | C       | D       | DA      | EE     | GR      | GH      | J           | KK       | 5~50 <sup>ST</sup> | 51~100  | 101~150 | 151~200 | MA      | MB      | MC      | MD     | MM      | MN      | MO      | QA   | QB     | SD      | T       | WF    |
| φ20       | 18                 | 13     | 15.5    | 26      | M4深度6.5 | Rc1/8  | 19      | 17      | 12          | M8       | 96                 | 123     | 150     | 177     | 11      | 11      | 24      | M5     | 8       | 6       | 4       | 12   | 10     | 14      | 5       | 17    |
| φ25       | 22                 | 17     | 19.5    | 31      | M5深度6.5 | Rc1/8  | 19      | 17      | 14          | M10×1.25 | 99                 | 129     | 159     | 189     | 11      | 11      | 29      | M6     | 10      | 8       | 5       | 12   | 10     | 16.5    | 6       | 18    |
| φ32       | 22                 | 17     | 19.5    | 38      | M5深度7.5 | Rc1/8  | 19      | 17      | 18          | M10×1.25 | 101                | 131     | 161     | 191     | 11      | 10      | 36      | M8     | 12      | 10      | 5.5     | 12   | 10     | 20      | 6       | 18    |
| φ40       | 30                 | 22     | 27      | 47      | M6深度12  | Rc1/8  | 20      | 19      | 25          | M14×1.5  | 108                | 138     | 168     | 198     | 12      | 10      | 44      | M10    | 16      | 14      | 6       | 13   | 12     | 26      | 8       | 20    |
| 記號        | X                  |        |         |         | 附防塵套    |        |         |         | 開關安裝方式：導軌方式 |          |                    |         |         |         |         |         |         |        |         |         |         |      |        |         |         |       |
|           | 5~50 <sup>ST</sup> | 51~100 | 101~150 | 151~200 | XF      | b      | d       | s       | φ           | P        | GB                 | GN      | GL      | HD      |         |         | RD      |        |         |         |         |      |        |         |         |       |
| 氣缸內徑 (mm) |                    |        |         |         | XF      | b      | d       | s       | φ           | P        | GB                 | GN      | GL      | T0/T5   |         |         | T2, T3  |        |         |         |         |      |        |         |         |       |
|           | 50以下               |        | 50以上    |         |         |        |         |         |             |          |                    |         |         | 50以下    | 50~100  | 100~150 | 150~200 | 50以下   | 50~100  | 100~150 | 150~200 | 50以下 | 50~100 | 100~150 | 150~200 |       |
| φ20       | 133                | 160    | 187     | 214     | 35      | 30     | 30      | 25.7    | (行程/3)+18.5 | 19.5     | 23                 | 18.5    | 30      | 4       | 7       | 9.5     | 33.5    | 60.5   | 87.5    | 114.5   | 34.5    | 61.5 | 88.5   | 115.5   |         |       |
| φ25       | 141                | 171    | 201     | 231     | 40      | 35     | 30      | 30.7    | (行程/3)+20.5 | 22       | 24.4               | 18.5    | 30      | 3       | 6       | 8.5     | 37.5    | 67.5   | 97.5    | 127.5   | 38.5    | 68.5 | 98.5   | 128.5   |         |       |
| φ32       | 143                | 173    | 203     | 233     | 40      | 31.5   | 35      | 37.7    | (行程/3)+19   | 25.5     | 25                 | 18.5    | 32      | 4       | 7       | 9.5     | 38.5    | 68.5   | 98.5    | 128.5   | 39.5    | 69.5 | 99.5   | 129.5   |         |       |
| φ40       | 160                | 190    | 220     | 250     | 50      | 40     | 35      | 46.7    | (行程/3)+18.5 | 30       | 25.7               | 20.5    | 36      | 6       | 9       | 11.5    | 40.5    | 70.5   | 100.5   | 130.5   | 41.5    | 71.5 | 101.5  | 131.5   |         |       |
| 記號        | 開關安裝方式：綁帶方式        |        |         |         |         |        |         |         |             |          |                    |         |         |         |         |         |         |        |         |         |         |      |        |         |         |       |
|           | T2W, T3W           |        |         |         | GL      |        |         |         | HD          |          |                    |         | RD      |         |         |         |         |        |         |         |         |      |        |         |         |       |
| 氣缸內徑 (mm) |                    |        |         |         | T0/T5   |        |         |         | T2, T3      |          |                    |         | RD      |         |         |         |         |        |         |         |         |      |        |         |         |       |
|           | 50以下               | 50~100 | 100~150 | 150~200 | 50以下    | 50~100 | 100~150 | 150~200 | 50以下        | 50~100   | 100~150            | 150~200 | 50以下    | 50~100  | 100~150 | 150~200 | 50以下    | 50~100 | 100~150 | 150~200 | GD      | P1   | P2     | P3      | Pθ      |       |
| φ20       | 35.5               | 62.5   | 89.5    | 116.5   | 30.5    | 29.5   | 5.5     | 6.5     | 9.5         | 33.5     | 60.5               | 87.5    | 14.5    | 34.5    | 61.5    | 88.5    | 115.5   | 35.5   | 62.5    | 89.5    | 116.5   | 1.5  | 19.6   | 21.5    | 14      | (38°) |
| φ25       | 39.5               | 69.5   | 99.5    | 129.5   | 29.5    | 28.5   | 4.5     | 5.5     | 8.5         | 37.5     | 67.5               | 97.5    | 127.5   | 38.5    | 68.5    | 98.5    | 128.5   | 39.5   | 69.5    | 99.5    | 129.5   | 0.5  | 22.1   | 23.9    | 14      | (34°) |
| φ32       | 40.5               | 70.5   | 100.5   | 130.5   | 30.5    | 29.5   | 5.5     | 6.5     | 9.5         | 38.5     | 68.5               | 98.5    | 128.5   | 39.5    | 69.5    | 99.5    | 129.5   | 40.5   | 70.5    | 100.5   | 130.5   | 1.5  | 25.6   | 27.6    | 16      | (30°) |
| φ40       | 42.5               | 72.5   | 102.5   | 132.5   | 32.5    | 31.5   | 7.5     | 8.5     | 11.5        | 40.5     | 70.5               | 100.5   | 130.5   | 41.5    | 71.5    | 101.5   | 131.5   | 42.5   | 72.5    | 102.5   | 132.5   | 3.5  | 30.2   | 32.1    | 16      | (26°) |

※各安裝型式的安裝尺寸除X、LL外，均與SCM（複動型）相同。請參閱第226~237頁。  
 ※附屬品的外形尺寸圖請參閱第238、239頁。

- SCP※3
- CMK2
- CMA2
- SCM
- SCG
- SCA2
- SCS2
- CKV2
- CAV2・COV/PIN2
- SSD2
- SSG
- SSD
- CAT
- MDC2
- MVC
- SMG
- MSD・MSDG
- FC※
- STK
- SRL3
- SRG3
- SRM3
- SRT3
- MRL2
- MRG2
- SM-25
- 緩衝器
- FJ
- FK
- 調速閥
- 卷尾



微型氣缸  
單動、引入型

# SCM-Y Series

● 氣缸內徑：φ 20、φ 25、φ 32、φ 40

JIS記號



## 規格

| 項目     |      | SCM-Y                       |      |      |      |
|--------|------|-----------------------------|------|------|------|
| 氣缸內徑   | mm   | φ 20                        | φ 25 | φ 32 | φ 40 |
| 動作方式   |      | 單動、引入型                      |      |      |      |
| 使用流體   |      | 壓縮空氣                        |      |      |      |
| 最高使用壓力 | MPa  | 1.0                         |      |      |      |
| 最低使用壓力 | MPa  | 0.2                         |      |      |      |
| 耐壓力    | MPa  | 1.6                         |      |      |      |
| 環境溫度   | °C   | -10~60 (避免結凍)               |      |      |      |
| 連接口徑   |      | Rc1/8                       |      |      |      |
| 行程容許差  | mm   | +2.0                        |      |      |      |
|        |      | 0                           |      |      |      |
| 使用活塞速度 | mm/s | 50~1000 (使用時不得超過吸收能量的容許範圍。) |      |      |      |
| 緩衝     |      | 橡膠緩衝                        |      |      |      |
| 給油     |      | 不要 (給油時請使用渦輪機油ISO VG32)     |      |      |      |
| 容許吸收能量 | J    | 0.1                         | 0.2  | 0.5  | 0.9  |

註：單動型氣缸不得長時間加壓後放置。否則，一旦壓力排除後，若彈簧力量疲乏將有可能造成活塞桿無法復原的情形。

## 行程

| 氣缸內徑 (mm) | 標準行程 (mm)                      | 最大行程 (mm) | 最小行程 (mm) |
|-----------|--------------------------------|-----------|-----------|
| φ 20      | 25、50、75<br>100、125<br>150、200 | 200       | 5         |
| φ 25      |                                |           |           |
| φ 32      |                                |           |           |
| φ 40      |                                |           |           |

註1：中間行程的製作規格間距為1mm。

## 彈簧負載

(單位：N)

| 氣缸內徑 (mm) | 行程0時 | 全行程動作時 |
|-----------|------|--------|
| φ 20      | 11.8 | 38     |
| φ 25      | 12.5 | 40.2   |
| φ 32      | 24.3 | 54.9   |
| φ 40      | 28.4 | 100    |

## 開關安裝數量及最小行程 (mm)

● 開關安裝方式：導軌方式

| 開關數量<br>氣缸內徑 (mm) | 1     |         |      |     | 2     |         |      |     | 3     |         |      |     | 4     |         |      |     | 5     |         |      |     |
|-------------------|-------|---------|------|-----|-------|---------|------|-----|-------|---------|------|-----|-------|---------|------|-----|-------|---------|------|-----|
|                   | 無接點   |         |      | 有接點 | 無接點   |         |      | 有接點 | 無接點   |         |      | 有接點 | 無接點   |         |      | 有接點 | 無接點   |         |      | 有接點 |
|                   | T2,T3 | T2W,T3W | T×Y× |     | T2,T3 | T2W,T3W | T×Y× |     | T2,T3 | T2W,T3W | T×Y× |     | T2,T3 | T2W,T3W | T×Y× |     | T2,T3 | T2W,T3W | T×Y× |     |
| φ 20              | 10    |         |      | 有接點 | 25    |         |      | 有接點 | 50    | 70      | 70   | 55  | 55    | 70      | 70   | 55  | 75    | 110     | 110  | 90  |
| φ 25              | 10    |         |      |     | 25    |         |      |     | 50    | 70      | 70   | 55  | 55    | 70      | 70   | 55  | 75    | 110     | 110  | 90  |
| φ 32              | 10    |         |      |     | 25    |         |      |     | 50    | 70      | 70   | 55  | 55    | 70      | 70   | 55  | 75    | 110     | 110  | 90  |
| φ 40              | 10    |         |      |     | 25    |         |      |     | 50    | 70      | 70   | 55  | 55    | 70      | 70   | 55  | 75    | 110     | 110  | 90  |

● 開關安裝方式：綁帶方式

| 開關數量<br>氣缸內徑 (mm) | 1     |         |      |     | 2     |         |      |     | 3     |         |      |     | 4     |         |      |     | 5     |         |      |     |
|-------------------|-------|---------|------|-----|-------|---------|------|-----|-------|---------|------|-----|-------|---------|------|-----|-------|---------|------|-----|
|                   | 無接點   |         |      | 有接點 | 無接點   |         |      | 有接點 | 無接點   |         |      | 有接點 | 無接點   |         |      | 有接點 | 無接點   |         |      | 有接點 |
|                   | T2,T3 | T2W,T3W | T×Y× |     | T2,T3 | T2W,T3W | T×Y× |     | T2,T3 | T2W,T3W | T×Y× |     | T2,T3 | T2W,T3W | T×Y× |     | T2,T3 | T2W,T3W | T×Y× |     |
| φ 20              | 10    |         |      | 有接點 | 25    | 30      | 35   | 25  | 50    | 55      | 55   | 50  | 75    | 75      | 80   | 70  | 95    | 100     | 100  | 95  |
| φ 25              | 10    |         |      |     | 25    | 30      | 35   | 25  | 50    | 55      | 55   | 50  | 75    | 75      | 80   | 70  | 95    | 100     | 100  | 95  |
| φ 32              | 10    |         |      |     | 25    | 30      | 35   | 25  | 50    | 55      | 55   | 50  | 75    | 75      | 80   | 70  | 95    | 100     | 100  | 95  |
| φ 40              | 10    |         |      |     | 25    | 30      | 35   | 25  | 50    | 55      | 55   | 50  | 75    | 75      | 80   | 70  | 95    | 100     | 100  | 95  |

註1：由於附1個開關且行程10mm以上未滿25mm的規格，其開關導軌安裝位置會改變，因此無法製作安裝型式耳軸型。另外，安裝位置請參閱第329頁。



## 開關規格

● 單色/雙色顯示方式

| 項目   | 無接點2線式                           |                            | 無接點3線式                      |                            |                            |                             | 有接點2線式                     |                            |                      |         | 無接點2線式      |                                 |                |                              |                         |        |        |           |
|------|----------------------------------|----------------------------|-----------------------------|----------------------------|----------------------------|-----------------------------|----------------------------|----------------------------|----------------------|---------|-------------|---------------------------------|----------------|------------------------------|-------------------------|--------|--------|-----------|
|      | T1H・T1V                          | T2H・T2V・<br>T2JH・T2JV      | T2YH・<br>T2YV               | T2WH・<br>T2WV              | T3H・T3V                    | T3PH・T3PV<br>(按單生產)         | T3YH・<br>T3YV              | T3WH・<br>T3WV              | T0H・T0V              | T5H・T5V | T8H・T8V     | T2YD                            |                |                              |                         |        |        |           |
| 用途   | 可程式控制繼電器、小型電機開關                  |                            | 可程式控制器專用                    |                            |                            |                             | 可程式控制器、繼電器用                |                            |                      |         | 可程式控制器、繼電器用 | 可程式控制器、繼電器用<br>IC迴路(無顯示燈)、串聯連接用 | 可程式控制器專用       |                              |                         |        |        |           |
| 輸出方式 | -                                |                            | NPN輸出 PNP輸出 NPN輸出 NPN輸出     |                            |                            |                             | -                          |                            |                      |         | -           | -                               |                |                              |                         |        |        |           |
| 電源電壓 | -                                |                            | DC10~28V                    |                            |                            |                             | -                          |                            |                      |         | -           | -                               |                |                              |                         |        |        |           |
| 負載電壓 | AC85~265V                        |                            | DC10~30V                    |                            | DC24V±10%                  |                             | DC30V以下                    |                            |                      |         | DC12/24V    | AC100/110V                      | DC5/12/24V     | AC100/110V                   | DC12/24V                | AC110V | AC220V | DC24V±10% |
| 負載電流 | 5~100mA                          |                            | 5~20mA (註2)                 |                            |                            |                             | 100mA以下                    |                            | 50mA以下               |         | 5~50mA      | 7~20mA                          | 50mA以下         | 20mA以下                       | 5~50mA                  | 7~20mA | 7~10mA | 5~20mA    |
| 顯示燈  | LED<br>(ON時亮燈)                   | LED (ON<br>時亮燈)            | 紅色/綠色<br>LED<br>(ON時亮燈)     | 紅色/綠色<br>LED<br>(ON時亮燈)    | LED<br>(ON時亮燈)             | 黃色<br>LED<br>(ON時亮燈)        | 紅色/綠色<br>LED<br>(ON時亮燈)    | 紅色/綠色<br>LED<br>(ON時亮燈)    | LED<br>(ON時亮燈)       |         | 無顯示燈        |                                 | LED<br>(ON時亮燈) |                              | 紅色/綠色<br>LED<br>(ON時亮燈) |        |        |           |
| 漏電電流 | AC100V時電流小於1mA<br>AC200V時電流小於2mA |                            | 1mA以下                       |                            |                            |                             | 10μA以下                     |                            |                      |         | 0mA         |                                 |                |                              | 1mA以下                   |        |        |           |
| 重量 g | 1m: 33<br>3m: 87<br>5m: 142      | 1m: 18<br>3m: 49<br>5m: 80 | 1m: 33<br>3m: 87<br>5m: 142 | 1m: 18<br>3m: 49<br>5m: 80 | 1m: 18<br>3m: 49<br>5m: 80 | 1m: 33<br>3m: 87<br>5m: 142 | 1m: 18<br>3m: 87<br>5m: 80 | 1m: 18<br>3m: 49<br>5m: 80 | 1m: 18 3m: 49 5m: 80 |         |             | 1m: 33<br>3m: 87<br>5m: 142     |                | 1m: 61<br>3m: 166<br>5m: 272 |                         |        |        |           |

註1: 其他開關規格, 請參閱卷尾第1頁。

註2: 上述負載電流的最大值: 20mA為溫度25°C時的數值。開關使用環境溫度若高於25°C, 電流將降至低於20mA。  
(溫度到達60°C時, 則電流為5~10mA。)

註3: T0/T5開關也可使用AC220V。關於使用條件, 請洽詢本公司。

註4: 交流磁場用開關(T2YD)於直流磁場環境下無法使用。

註5: 外形尺寸視開關型號而異。詳細內容請參閱卷尾第18頁。

## 氣缸重量

● 行程5~50

(單位: kg)

| 項目、安裝型式 | 行程(S)=0mm時的產品重量 |       |      |      |      | 開關重量<br>(每1個)      | S=10mm時<br>的累計重量 | S=10mm時的<br>累計重量(附導軌) | 1個開關的<br>綁帶重量 |
|---------|-----------------|-------|------|------|------|--------------------|------------------|-----------------------|---------------|
|         | 基本型             | 軸向腳架型 | 法蘭型  | 吊耳型  | 耳軸型  |                    |                  |                       |               |
| 氣缸內徑    |                 |       |      |      |      | 請參閱開關規格<br>內記載的重量。 |                  |                       |               |
| φ20     | 0.14            | 0.25  | 0.17 | 0.19 | 0.15 |                    | 0.010            | 0.012                 | 0.007         |
| φ25     | 0.22            | 0.35  | 0.26 | 0.30 | 0.24 |                    | 0.014            | 0.016                 | 0.007         |
| φ32     | 0.33            | 0.49  | 0.39 | 0.48 | 0.36 |                    | 0.018            | 0.020                 | 0.007         |
| φ40     | 0.54            | 0.76  | 0.62 | 0.77 | 0.59 |                    | 0.030            | 0.032                 | 0.007         |

● 行程51~100

(單位: kg)

| 項目、安裝型式 | 行程(S)=0mm時的產品重量 |       |      |      |      | 開關重量<br>(每1個)      | S=10mm時<br>的累計重量 | S=10mm時的<br>累計重量(附導軌) | 1個開關的<br>綁帶重量 |
|---------|-----------------|-------|------|------|------|--------------------|------------------|-----------------------|---------------|
|         | 基本型             | 軸向腳架型 | 法蘭型  | 吊耳型  | 耳軸型  |                    |                  |                       |               |
| 氣缸內徑    |                 |       |      |      |      | 請參閱開關規格<br>內記載的重量。 |                  |                       |               |
| φ20     | 0.17            | 0.28  | 0.20 | 0.22 | 0.18 |                    | 0.010            | 0.012                 | 0.007         |
| φ25     | 0.28            | 0.41  | 0.32 | 0.36 | 0.30 |                    | 0.014            | 0.016                 | 0.007         |
| φ32     | 0.40            | 0.56  | 0.46 | 0.55 | 0.43 |                    | 0.018            | 0.020                 | 0.007         |
| φ40     | 0.67            | 0.89  | 0.75 | 0.90 | 0.72 |                    | 0.030            | 0.032                 | 0.007         |

● 行程101~150

(單位: kg)

| 項目、安裝型式 | 行程(S)=0mm時的產品重量 |       |      |      |      | 開關重量<br>(每1個)      | S=10mm時<br>的累計重量 | S=10mm時的<br>累計重量(附導軌) | 1個開關的<br>綁帶重量 |
|---------|-----------------|-------|------|------|------|--------------------|------------------|-----------------------|---------------|
|         | 基本型             | 軸向腳架型 | 法蘭型  | 吊耳型  | 耳軸型  |                    |                  |                       |               |
| 氣缸內徑    |                 |       |      |      |      | 請參閱開關規格<br>內記載的重量。 |                  |                       |               |
| φ20     | 0.21            | 0.32  | 0.24 | 0.26 | 0.22 |                    | 0.010            | 0.012                 | 0.007         |
| φ25     | 0.33            | 0.46  | 0.37 | 0.41 | 0.35 |                    | 0.014            | 0.016                 | 0.007         |
| φ32     | 0.47            | 0.63  | 0.53 | 0.62 | 0.50 |                    | 0.018            | 0.020                 | 0.007         |
| φ40     | 0.80            | 1.02  | 0.88 | 1.03 | 0.85 |                    | 0.030            | 0.032                 | 0.007         |

● 行程151~200

(單位: kg)

| 項目、安裝型式 | 行程(S)=0mm時的產品重量 |       |      |      |      | 開關重量<br>(每1個)      | S=10mm時<br>的累計重量 | S=10mm時的<br>累計重量(附導軌) | 1個開關的<br>綁帶重量 |
|---------|-----------------|-------|------|------|------|--------------------|------------------|-----------------------|---------------|
|         | 基本型             | 軸向腳架型 | 法蘭型  | 吊耳型  | 耳軸型  |                    |                  |                       |               |
| 氣缸內徑    |                 |       |      |      |      | 請參閱開關規格<br>內記載的重量。 |                  |                       |               |
| φ20     | 0.24            | 0.35  | 0.27 | 0.29 | 0.25 |                    | 0.010            | 0.012                 | 0.007         |
| φ25     | 0.39            | 0.52  | 0.43 | 0.47 | 0.41 |                    | 0.014            | 0.016                 | 0.007         |
| φ32     | 0.54            | 0.70  | 0.60 | 0.69 | 0.57 |                    | 0.018            | 0.020                 | 0.007         |
| φ40     | 0.92            | 1.14  | 1.00 | 1.15 | 0.97 |                    | 0.030            | 0.032                 | 0.007         |

(範例) SCM-Y-LB-40D-100-T2H-D的產品重量

$$\left\{ \begin{array}{l} S=0\text{mm時的產品重量} \cdots \cdots \cdots 0.89\text{kg} \\ S=100\text{mm時的累計重量} \cdots \cdots \cdots 0.032 \times \frac{100}{10} = 0.32\text{kg} \\ 2\text{個開關的重量} \cdots \cdots \cdots 0.036\text{kg} \\ \text{產品重量} \cdots \cdots \cdots 0.89\text{kg} + 0.32\text{kg} + 0.036\text{kg} = 1.246\text{kg} \end{array} \right.$$

## 型號標示方法

無開關（內置開關用磁鐵）



附開關（內置開關用磁鐵）



**A** 安裝型式  
註1

**B** 氣缸內徑

**C** 配管螺牙種類

**D** 緩衝

**E** 行程

**F** 開關型號  
註3  
註4

**G** 開關數量

**H** 開關安裝方式

**I** 選購品  
註5、註7

**J** 附屬品  
註8

### 選定型號時的注意事項

- 註1：安裝固定架將添附於產品內一併出貨。  
 註2：關於開關安裝數量及最小行程，請參閱第246頁。  
 註3：除了**F**所示的開關型號外，亦備有其他開關可供選擇。（接單生產）  
 詳細內容請參閱卷尾第1頁。  
 註4：若開關安裝方式為導軌方式，將無法配置T8H/V開關。  
 註5：瞬間最高溫度是指火花或切削粉末等瞬間接觸到防塵套時的溫度。  
 註6：有關活塞桿前端外形製作規格，請參閱卷尾第85頁。  
 註7：開關安裝方式若選定「Z」，將無法選定添附開關導軌出貨「Q」之選項。  
 註8：無法同時選定「I」和「Y」。  
 註9：開關將添附於產品內一併出貨。如需組裝產品後出貨，請洽詢本公司。

### 〈型號標示範例〉

#### SCM-Y-LB-40D-100-T0H-D-JI

機型：微型氣缸 單動、引入型

- A** 安裝型式：軸向腳架型
- B** 氣缸內徑：φ40mm
- C** 配管螺牙種類：Rc螺牙
- D** 緩衝：附兩側橡膠緩衝
- E** 行程：100mm
- F** 開關型號：有接點T0H開關、導線1m
- G** 開關數量：附2個
- H** 開關安裝方式：導軌方式
- I** 選購品：防塵套材質、最高環境溫度60°C
- J** 附屬品：一山關節

### 安裝固定架型號標示方法

| 氣缸內徑 (mm)    | φ20       | φ25       | φ32       | φ40       |
|--------------|-----------|-----------|-----------|-----------|
| <b>安裝固定架</b> |           |           |           |           |
| 腳架 (LB)      | SCM-LB-20 | SCM-LB-25 | SCM-LB-32 | SCM-LB-40 |
| 法蘭 (FA/FB)   | SCM-FA-20 | SCM-FA-25 | SCM-FA-32 | SCM-FA-40 |
| 一山吊耳 (CA)    | SCM-CA-20 | SCM-CA-25 | SCM-CA-32 | SCM-CA-40 |
| 耳軸型 (TA/TB)  | SCM-TA-20 | SCM-TA-25 | SCM-TA-32 | SCM-TA-40 |

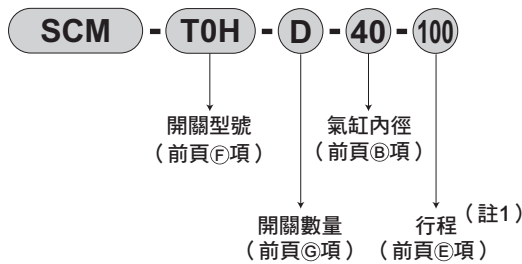
註1：各安裝固定架皆有添附安裝用螺栓。  
 註2：腳架型安裝固定架為每組2個。

| 記號                 | 內容                   |         |               |             |        |    |
|--------------------|----------------------|---------|---------------|-------------|--------|----|
| <b>A 安裝型式</b>      |                      |         |               |             |        |    |
| 00                 | 基本型                  |         |               |             |        |    |
| LB                 | 軸向腳架型                |         |               |             |        |    |
| FA                 | 活塞桿側法蘭型              |         |               |             |        |    |
| FB                 | 頭蓋側法蘭型               |         |               |             |        |    |
| CA                 | 一山吊耳型                |         |               |             |        |    |
| TA                 | 活塞桿側耳軸型              |         |               |             |        |    |
| TB                 | 頭蓋側耳軸型               |         |               |             |        |    |
| <b>B 氣缸內徑 (mm)</b> |                      |         |               |             |        |    |
| 20                 | φ20                  |         |               |             |        |    |
| 25                 | φ25                  |         |               |             |        |    |
| 32                 | φ32                  |         |               |             |        |    |
| 40                 | φ40                  |         |               |             |        |    |
| <b>C 配管螺牙種類</b>    |                      |         |               |             |        |    |
| 無記號                | Rc螺牙                 |         |               |             |        |    |
| N                  | NPT螺牙 (接單生產)         |         |               |             |        |    |
| G                  | G螺牙 (接單生產)           |         |               |             |        |    |
| <b>D 緩衝</b>        |                      |         |               |             |        |    |
| D                  | 附兩側橡膠緩衝              |         |               |             |        |    |
| <b>E 行程 (mm)</b>   |                      |         |               |             |        |    |
| 氣缸內徑               | 行程註2                 | 中間行程    |               |             |        |    |
| φ20~φ40            | 5~200                | 以1mm為單位 |               |             |        |    |
| <b>F 開關型號</b>      |                      |         |               |             |        |    |
| 導線直型               | 導線L型                 | 接點      | 電壓            | 顯示          | 導線     |    |
| T0H※               | T0V※                 | 有接點     | AC            | ● ●         | 單色顯示方式 | 2線 |
| T5H※               | T5V※                 |         | DC            | ● ●         |        |    |
| T8H※               | T8V※                 |         | ● ●           | ● ●         | 單色顯示方式 |    |
| T1H※               | T1V※                 |         | ●             | ●           | 單色顯示方式 |    |
| T2H※               | T2V※                 | 無接點     | ●             | ●           | 單色顯示方式 | 2線 |
| T3H※               | T3V※                 |         | ●             | ●           |        |    |
| T3PH※              | T3PV※                |         | ●             | ●           | 雙色顯示方式 | 2線 |
| T2WH※              | T2WV※                |         | ●             | ●           |        |    |
| T2YH※              | T2YV※                |         | ●             | ●           | 雙色顯示方式 | 2線 |
| T3WH※              | T3WV※                |         | ●             | ●           |        |    |
| T2YD※              | -                    | ●       | ●             | 單色顯示方式蓄電延遲型 | 2線     |    |
| T2YDT※             | -                    | ●       | ●             |             |        |    |
| T2JH※              | T2JV※                | ●       | ●             |             |        |    |
| <b>※導線長度</b>       |                      |         |               |             |        |    |
| 無記號                | 1m (標準)              |         |               |             |        |    |
| 3                  | 3m (選購品)             |         |               |             |        |    |
| 5                  | 5m (選購品)             |         |               |             |        |    |
| <b>G 開關數量</b>      |                      |         |               |             |        |    |
| R                  | 活塞桿側附1個              |         |               |             |        |    |
| H                  | 頭蓋側附1個               |         |               |             |        |    |
| D                  | 附2個                  |         |               |             |        |    |
| T                  | 附3個                  |         |               |             |        |    |
| 4                  | 附4個 (如為4個以上，則加入開關數量) |         |               |             |        |    |
| <b>H 開關安裝方式</b>    |                      |         |               |             |        |    |
| 無記號                | 導軌方式                 |         |               |             |        |    |
| Z                  | 綁帶方式                 |         |               |             |        |    |
| <b>I 選購品</b>       |                      |         | 最高環境溫度、瞬間最高溫度 |             |        |    |
| J                  | 防塵套材質                | 60°C    | 100°C         |             |        |    |
| K                  | 防塵套材質                | 100°C   | 200°C         |             |        |    |
| L                  | 防塵套材質                | 250°C   | 400°C         |             |        |    |
| Q                  | 開關導軌添附出貨             |         |               |             |        |    |
| M                  | 活塞桿材質 (不鏽鋼)          |         |               |             |        |    |
| P6                 | 銅離子防止處理              |         |               |             |        |    |
| <b>J 附屬品</b>       |                      |         |               |             |        |    |
| I                  | 一山關節                 |         |               |             |        |    |
| Y                  | 二山關節 (添附插銷及止環)       |         |               |             |        |    |
| B2                 | 二山固定架                |         |               |             |        |    |

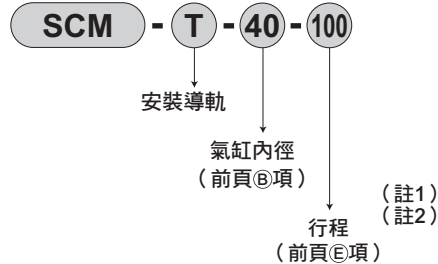
## 開關單品型號標示方法

〈開關安裝方式：導軌方式〉

● 開關本體+安裝導軌一式



● 僅安裝導軌



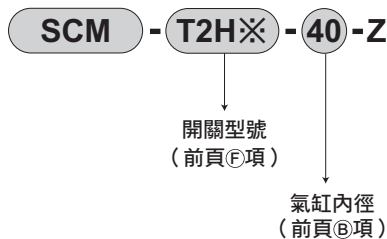
註1：行程超出300mm者請標示X。

行程超出300mm時，每一個開關將附有1支短導軌（開關調整移動距離為100mm）。

註2：僅安裝導軌且標示為X時，請依照所使用的開關數量訂購相同數量的導軌。

〈開關安裝方式：綁帶方式〉

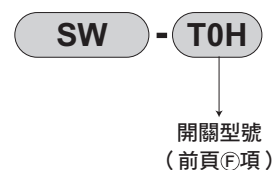
● 開關本體+安裝固定架一式+綁帶



● 安裝固定架一式+綁帶



〈僅開關本體〉

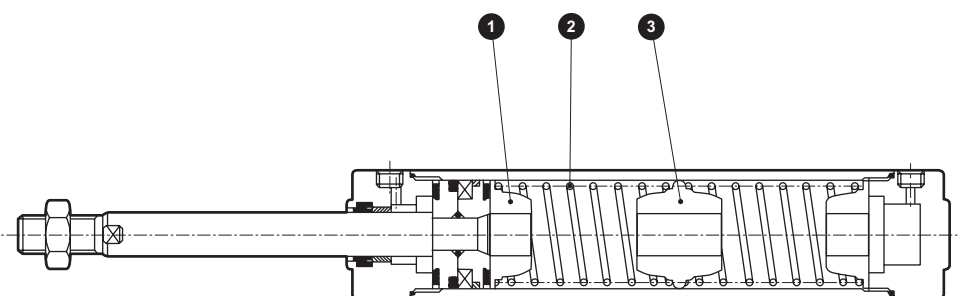


## 理論推力表

(單位：N)

| 氣缸內徑 (mm) | 動作方向 | 使用壓力 MPa           |                    |                    |                    |                    |                    |                    |                    |                    |                    |                    |
|-----------|------|--------------------|--------------------|--------------------|--------------------|--------------------|--------------------|--------------------|--------------------|--------------------|--------------------|--------------------|
|           |      | 0.1                | 0.15               | 0.2                | 0.3                | 0.4                | 0.5                | 0.6                | 0.7                | 0.8                | 0.9                | 1.0                |
| φ20       | Push | 31.4               | 47.1               | 62.8               | 94.2               | $1.26 \times 10^2$ | $1.57 \times 10^2$ | $1.88 \times 10^2$ | $2.20 \times 10^2$ | $2.51 \times 10^2$ | $2.83 \times 10^2$ | $3.14 \times 10^2$ |
|           | Pull | 26.4               | 39.6               | 52.8               | 79.2               | $1.06 \times 10^2$ | $1.32 \times 10^2$ | $1.58 \times 10^2$ | $1.85 \times 10^2$ | $2.11 \times 10^2$ | $2.38 \times 10^2$ | $2.64 \times 10^2$ |
| φ25       | Push | 49.1               | 73.6               | 98.2               | $1.47 \times 10^2$ | $1.96 \times 10^2$ | $2.45 \times 10^2$ | $2.95 \times 10^2$ | $3.44 \times 10^2$ | $3.93 \times 10^2$ | $4.42 \times 10^2$ | $4.91 \times 10^2$ |
|           | Pull | 41.2               | 61.9               | 82.5               | $1.24 \times 10^2$ | $1.65 \times 10^2$ | $2.06 \times 10^2$ | $2.47 \times 10^2$ | $2.89 \times 10^2$ | $3.30 \times 10^2$ | $3.71 \times 10^2$ | $4.12 \times 10^2$ |
| φ32       | Push | 80.4               | $1.21 \times 10^2$ | $1.61 \times 10^2$ | $2.41 \times 10^2$ | $3.22 \times 10^2$ | $4.02 \times 10^2$ | $4.83 \times 10^2$ | $5.63 \times 10^2$ | $6.43 \times 10^2$ | $7.24 \times 10^2$ | $8.04 \times 10^2$ |
|           | Pull | 69.1               | $1.04 \times 10^2$ | $1.38 \times 10^2$ | $2.07 \times 10^2$ | $2.76 \times 10^2$ | $3.46 \times 10^2$ | $4.15 \times 10^2$ | $4.84 \times 10^2$ | $5.53 \times 10^2$ | $6.22 \times 10^2$ | $6.91 \times 10^2$ |
| φ40       | Push | $1.26 \times 10^2$ | $1.88 \times 10^2$ | $2.51 \times 10^2$ | $3.77 \times 10^2$ | $5.03 \times 10^2$ | $6.28 \times 10^2$ | $7.54 \times 10^2$ | $8.80 \times 10^2$ | $1.01 \times 10^3$ | $1.13 \times 10^3$ | $1.26 \times 10^3$ |
|           | Pull | $1.06 \times 10^2$ | $1.58 \times 10^2$ | $2.11 \times 10^2$ | $3.17 \times 10^2$ | $4.22 \times 10^2$ | $5.28 \times 10^2$ | $6.33 \times 10^2$ | $7.39 \times 10^2$ | $8.44 \times 10^2$ | $9.50 \times 10^2$ | $1.06 \times 10^3$ |

## 內部結構及零件一覽表



## 消耗性零件一覽表

消耗零件編號係依照SCM系列內部結構圖（第222頁）所示。

| 編號 | 零件名稱 | 材質  | 備註   |
|----|------|-----|------|
| 1  | 彈簧座A | 鋁合金 |      |
| 2  | 圓柱彈簧 | 鋼琴線 | 電鍍烤漆 |
| 3  | 彈簧座B | 鋁合金 |      |

上述以外的零件皆與複動型相同。

| 氣缸內徑 (mm) | 套件編號       | 消耗性零件編號     |
|-----------|------------|-------------|
| φ20       | SCM-Y-20DK | 3 6 8 10 13 |
| φ25       | SCM-Y-25DK |             |
| φ32       | SCM-Y-32DK |             |
| φ40       | SCM-Y-40DK |             |

- SCP※3
- CMK2
- CMA2
- SCM
- SCG
- SCA2
- SCS2
- CKV2
- CAV2・COVPIN2
- SSD2
- SSG
- SSD
- CAT
- MDC2
- MVC
- SMG
- MSD・MSDG
- FC※
- STK
- SRL3
- SRG3
- SRM3
- SRT3
- MRL2
- MRG2
- SM-25
- 緩衝器
- FJ
- FK
- 調速閥
- 卷尾

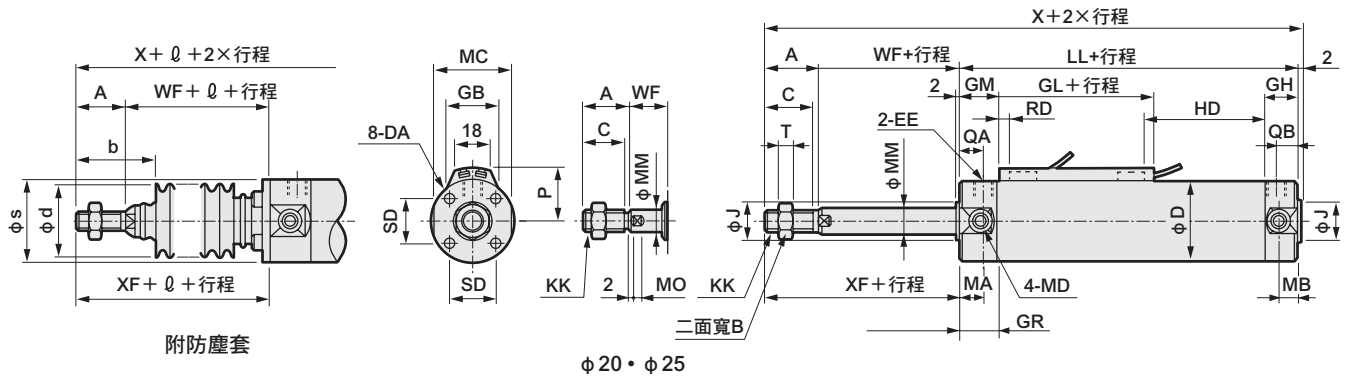
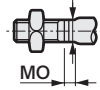
## 外形尺寸圖



● 單動引入型 (00)

● 開關安裝方式：導軌方式

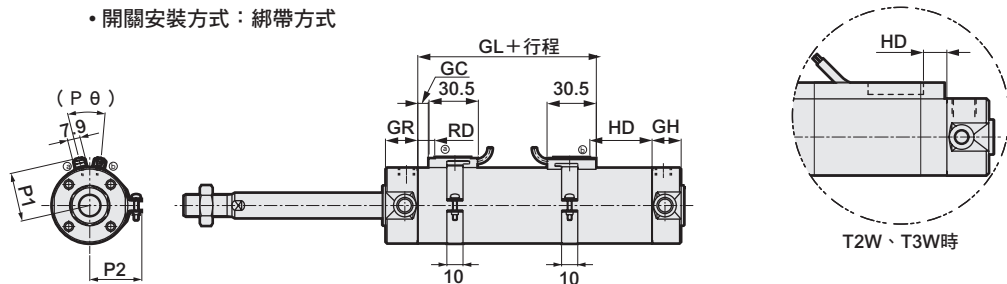
MN (二面寬)



防塵套

φ 20 · φ 25

● 開關安裝方式：綁帶方式



T2W、T3W時

註1：雙色顯示方式、斷電延遲式、交流磁場用、T1H/V、T8H/V開關的RD、HD、突出尺寸等，請參閱第329頁。

| 記號        | 基本型 (00) 基本尺寸 |    |    |      |    |         |       |    |    |    |             | LL             |                 |                 |     |    |    |    |     |    |    |
|-----------|---------------|----|----|------|----|---------|-------|----|----|----|-------------|----------------|-----------------|-----------------|-----|----|----|----|-----|----|----|
|           | A             | B  | C  | D    | DA | EE      | GR    | GH | J  | KK | 5以上<br>50以下 | 超過50~<br>100以下 | 超過100~<br>150以下 | 超過150~<br>200以下 | MA  | MB | MC | MD | MM  | MN |    |
| 氣缸內徑 (mm) | φ 20          | 18 | 13 | 15.5 | 26 | M4深度6.5 | Rc1/8 | 19 | 17 | 12 | M8          | 96             | 123             | 150             | 177 | 11 | 11 | 24 | M5  | 8  | 6  |
|           | φ 25          | 22 | 17 | 19.5 | 31 | M5深度6.5 | Rc1/8 | 19 | 17 | 14 | M10×1.25    | 99             | 129             | 159             | 189 | 11 | 11 | 29 | M6  | 10 | 8  |
|           | φ 32          | 22 | 17 | 19.5 | 38 | M5深度7.5 | Rc1/8 | 19 | 17 | 18 | M10×1.25    | 101            | 131             | 161             | 191 | 11 | 10 | 36 | M8  | 12 | 10 |
|           | φ 40          | 30 | 22 | 27   | 47 | M6深度12  | Rc1/8 | 20 | 19 | 25 | M14×1.5     | 108            | 138             | 168             | 198 | 12 | 10 | 44 | M10 | 16 | 14 |

| 記號        | 防塵套  |     |    |    |      |    |             |                |                 |                 |    | 開關安裝方式：導軌方式 |    |      |              |      |    |      |      |  |
|-----------|------|-----|----|----|------|----|-------------|----------------|-----------------|-----------------|----|-------------|----|------|--------------|------|----|------|------|--|
|           | MO   | QA  | QB | SD | T    | WF | X           |                |                 |                 | XF | b           | d  | s    | l            | GM   | GL | P    | GB   |  |
| 氣缸內徑 (mm) |      |     |    |    |      |    | 5以上<br>50以下 | 超過50~<br>100以下 | 超過100~<br>150以下 | 超過150~<br>200以下 |    |             |    |      |              |      |    |      |      |  |
|           | φ 20 | 4   | 12 | 10 | 14   | 5  | 133         | 160            | 187             | 214             | 35 | 30          | 30 | 25.7 | (行程/3) +18.5 | 20.5 | 30 | 19.5 | 23   |  |
|           | φ 25 | 5   | 12 | 10 | 16.5 | 6  | 141         | 171            | 201             | 231             | 40 | 35          | 30 | 30.7 | (行程/3) +20.5 | 20.5 | 30 | 22   | 24.4 |  |
|           | φ 32 | 5.5 | 12 | 10 | 20   | 6  | 143         | 173            | 203             | 233             | 40 | 31.5        | 35 | 37.7 | (行程/3) +19   | 20.5 | 32 | 25.5 | 25   |  |
|           | φ 40 | 6   | 13 | 12 | 26   | 8  | 160         | 190            | 220             | 250             | 50 | 40          | 35 | 46.7 | (行程/3) +18.5 | 21.5 | 36 | 30   | 25.7 |  |

| 記號        | 開關安裝方式：綁帶方式 |                |                 |                 |             |                |                 |                 |             |                |                 |                 |       |     |       |    |      |      |      |       |  |  |  |  |
|-----------|-------------|----------------|-----------------|-----------------|-------------|----------------|-----------------|-----------------|-------------|----------------|-----------------|-----------------|-------|-----|-------|----|------|------|------|-------|--|--|--|--|
|           | HD          |                |                 |                 | RD          |                |                 |                 | HD          |                |                 |                 |       |     |       |    |      |      |      |       |  |  |  |  |
|           | T0/T5       |                |                 |                 | T2,T3       |                |                 |                 | T2W,T3W     |                |                 | T0/T5           | T2    | T2W | T0/T5 |    |      |      |      |       |  |  |  |  |
| 氣缸內徑 (mm) | 5以上<br>50以下 | 超過50~<br>100以下 | 超過100~<br>150以下 | 超過150~<br>200以下 | 5以上<br>50以下 | 超過50~<br>100以下 | 超過100~<br>150以下 | 超過150~<br>200以下 | 5以上<br>50以下 | 超過50~<br>100以下 | 超過100~<br>150以下 | 超過150~<br>200以下 |       |     |       |    |      |      |      |       |  |  |  |  |
|           | φ 20        | 31.0           | 58.0            | 85.0            | 112.0       | 34.0           | 61.0            | 88.0            | 115.0       | 36.5           | 63.5            | 90.5            | 117.5 | 5   | 6     | 7  | 32.5 | 59.5 | 86.5 | 113.5 |  |  |  |  |
|           | φ 25        | 33.0           | 63.0            | 93.0            | 123.0       | 36.0           | 66.0            | 96.0            | 126.0       | 38.5           | 68.5            | 98.5            | 128.5 | 6   | 7     | 8  | 34.5 | 64.5 | 94.5 | 124.5 |  |  |  |  |
|           | φ 32        | 34.0           | 64.0            | 94.0            | 124.0       | 37.0           | 67.0            | 97.0            | 127.0       | 39.5           | 69.5            | 99.5            | 129.5 | 7   | 8     | 9  | 35.5 | 65.5 | 95.5 | 125.5 |  |  |  |  |
|           | φ 40        | 36.0           | 66.0            | 96.0            | 126.0       | 39.0           | 69.0            | 99.0            | 129.0       | 41.5           | 71.5            | 101.5           | 131.5 | 9   | 10    | 11 | 37.5 | 67.5 | 97.5 | 127.5 |  |  |  |  |

| 記號        | 緩衝器         |                |                 |                 |             |                |                 |                 |       |      |       |    |     |       |      |     |       |    |     |  |  |  |  |  |
|-----------|-------------|----------------|-----------------|-----------------|-------------|----------------|-----------------|-----------------|-------|------|-------|----|-----|-------|------|-----|-------|----|-----|--|--|--|--|--|
|           | RD          |                |                 |                 | GC          |                |                 | P1              |       |      | P2    |    |     | P3    |      |     | Pθ    |    |     |  |  |  |  |  |
|           | T2,T3       |                |                 |                 | T2W,T3W     |                |                 | T0/T5           | T2    | T2W  | T0/T5 | T2 | T2W | T0/T5 | T2   | T2W | T0/T5 | T2 | T2W |  |  |  |  |  |
| 氣缸內徑 (mm) | 5以上<br>50以下 | 超過50~<br>100以下 | 超過100~<br>150以下 | 超過150~<br>200以下 | 5以上<br>50以下 | 超過50~<br>100以下 | 超過100~<br>150以下 | 超過150~<br>200以下 |       |      |       |    |     |       |      |     |       |    |     |  |  |  |  |  |
|           | φ 20        | 33.5           | 60.5            | 87.5            | 114.5       | 36.5           | 63.5            | 90.5            | 117.5 | 6.5  | 7.5   | 7  | 2.5 | 19.6  | 21.5 | 14  | (38°) |    |     |  |  |  |  |  |
|           | φ 25        | 35.5           | 65.5            | 95.5            | 125.5       | 38.5           | 68.5            | 98.5            | 128.5 | 7.5  | 8.5   | 8  | 3.5 | 22.1  | 23.9 | 14  | (34°) |    |     |  |  |  |  |  |
|           | φ 32        | 36.5           | 66.5            | 96.5            | 126.5       | 39.5           | 69.5            | 99.5            | 129.5 | 8.5  | 9.5   | 9  | 4.5 | 25.6  | 27.6 | 16  | (30°) |    |     |  |  |  |  |  |
|           | φ 40        | 38.5           | 68.5            | 98.5            | 128.5       | 41.5           | 71.5            | 101.5           | 131.5 | 10.5 | 11.5  | 11 | 6.5 | 30.2  | 32.1 | 16  | (26°) |    |     |  |  |  |  |  |

※各安裝型式的安裝尺寸除X、LL外，均與SCM（複動型）相同。請參閱第226~237頁。  
 ※附屬品的外形尺寸圖請參閱第238、239頁。

SCP※3

CMK2

CMA2

**SCM**

SCG

SCA2

SCS2

CKV2

CAV2・  
COVPIN2

SSD2

SSG

SSD

CAT

MDC2

MVC

SMG

MSD・  
MSDG

FC※

STK

SRL3

SRG3

SRM3

SRT3

MRL2

MRG2

SM-25

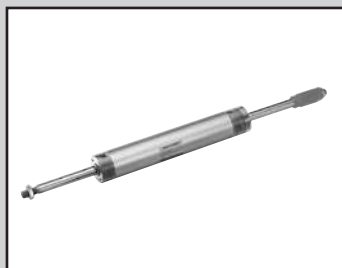
緩衝器

FJ

FK

調速閥

卷尾



微型氣缸  
複動、行程調整型（推出）

# SCM-P Series

● 氣缸內徑：φ 20、φ 25、φ 32、φ 40、φ 50、φ 63

JIS記號



## 規格

| 項目     | SCM-P |                            |      |      |           |      |      |  |
|--------|-------|----------------------------|------|------|-----------|------|------|--|
| 氣缸內徑   | mm    | φ 20                       | φ 25 | φ 32 | φ 40      | φ 50 | φ 63 |  |
| 動作方式   |       | 複動、行程調整型（推出）               |      |      |           |      |      |  |
| 使用流體   |       | 壓縮空氣                       |      |      |           |      |      |  |
| 最高使用壓力 | MPa   | 1.0                        |      |      |           |      |      |  |
| 最低使用壓力 | MPa   | 0.15                       |      |      | 0.1       |      |      |  |
| 耐壓力    | MPa   | 1.6                        |      |      |           |      |      |  |
| 環境溫度   | °C    | -10~60（避免結凍）               |      |      |           |      |      |  |
| 連接口徑   |       | Rc1/8                      |      |      | Rc1/4     |      |      |  |
| 行程容許差  | mm    | +1.4<br>0                  |      |      | +2.3<br>0 |      |      |  |
| 使用活塞速度 | mm/s  | 30~1000（使用時不得超過吸收能量的容許範圍。） |      |      |           |      |      |  |
| 緩衝     |       | 橡膠緩衝                       |      |      |           |      |      |  |
| 給油     |       | 不要（給油時請使用渦輪機油ISO VG32）     |      |      |           |      |      |  |
| 行程調整範圍 | mm    | 25、50                      |      |      |           |      |      |  |
| 容許吸收能量 | J     | 0.1                        | 0.2  | 0.5  | 0.9       | 1.6  | 1.6  |  |

## 行程

| 氣缸內徑 (mm) | 標準行程 (mm)                              | 最大行程 (mm) | 最小行程 (mm) |
|-----------|--|-----------|-----------|
| φ 20      | 25、50、75<br>100、125、150<br>200、250、300 | 600       | 10        |
| φ 25      |  |           |           |
| φ 32      |  |           |           |
| φ 40      |  |           |           |
| φ 50      |  |           |           |
| φ 63      |  |           |           |

註1：中間行程的製作規格間距為1mm。

## 開關安裝數量及最小行程 (mm)

● 開關安裝方式：導軌方式

| 開關數量<br>氣缸內徑 (mm) | 1     |         |      |     | 2     |         |      |     | 3     |         |      |     | 4     |         |      |     | 5     |         |      |     |     |  |  |    |
|-------------------|-------|---------|------|-----|-------|---------|------|-----|-------|---------|------|-----|-------|---------|------|-----|-------|---------|------|-----|-----|--|--|----|
|                   | 無接點   |         |      | 有接點 | 無接點   |         |      | 有接點 | 無接點   |         |      | 有接點 | 無接點   |         |      | 有接點 | 無接點   |         |      | 有接點 |     |  |  |    |
|                   | T2,T3 | T2W,T3W | T×Y× |     | T2,T3 | T2W,T3W | T×Y× |     | T2,T3 | T2W,T3W | T×Y× |     | T2,T3 | T2W,T3W | T×Y× |     | T2,T3 | T2W,T3W | T×Y× |     |     |  |  |    |
| φ 20              | 10    |         |      | 25  | 25    |         |      | 50  | 70    |         |      | 55  | 70    |         |      | 55  | 75    |         |      | 110 | 110 |  |  | 90 |
| φ 25              | 10    |         |      |     | 25    |         |      |     | 70    |         |      |     | 70    |         |      |     | 75    |         |      |     | 110 |  |  |    |
| φ 32              | 10    |         |      |     | 25    |         |      |     | 70    |         |      |     | 70    |         |      |     | 75    |         |      |     | 110 |  |  |    |
| φ 40              | 10    |         |      |     | 25    |         |      |     | 70    |         |      |     | 70    |         |      |     | 75    |         |      |     | 110 |  |  |    |
| φ 50              | 10    |         |      |     | 25    |         |      |     | 65    |         |      |     | 65    |         |      |     | 75    |         |      |     | 110 |  |  |    |
| φ 63              | 10    |         |      |     | 25    |         |      |     | 65    |         |      |     | 65    |         |      |     | 75    |         |      |     | 110 |  |  |    |

● 開關安裝方式：綁帶方式

| 開關數量<br>氣缸內徑 (mm) | 1     |         |      |     | 2     |         |      |     | 3     |         |      |     | 4     |         |      |     | 5     |         |      |     |     |  |  |
|-------------------|-------|---------|------|-----|-------|---------|------|-----|-------|---------|------|-----|-------|---------|------|-----|-------|---------|------|-----|-----|--|--|
|                   | 無接點   |         |      | 有接點 | 無接點   |         |      | 有接點 | 無接點   |         |      | 有接點 | 無接點   |         |      | 有接點 | 無接點   |         |      | 有接點 |     |  |  |
|                   | T2,T3 | T2W,T3W | T×Y× |     | T2,T3 | T2W,T3W | T×Y× |     | T2,T3 | T2W,T3W | T×Y× |     | T2,T3 | T2W,T3W | T×Y× |     | T2,T3 | T2W,T3W | T×Y× |     |     |  |  |
| φ 20              | 10    |         |      | 25  | 30    |         |      | 50  | 55    |         |      | 75  | 75    |         |      | 95  | 100   |         |      | 100 | 95  |  |  |
| φ 25              | 10    |         |      |     | 30    |         |      |     | 55    |         |      |     | 75    |         |      |     | 95    |         |      |     | 100 |  |  |
| φ 32              | 10    |         |      |     | 30    |         |      |     | 55    |         |      |     | 75    |         |      |     | 95    |         |      |     | 100 |  |  |
| φ 40              | 10    |         |      |     | 30    |         |      |     | 55    |         |      |     | 75    |         |      |     | 95    |         |      |     | 100 |  |  |
| φ 50              | 10    |         |      |     | 30    |         |      |     | 55    |         |      |     | 75    |         |      |     | 95    |         |      |     | 100 |  |  |
| φ 63              | 10    |         |      |     | 30    |         |      |     | 55    |         |      |     | 75    |         |      |     | 95    |         |      |     | 100 |  |  |

註1：由於附1個開關且行程10mm以上未滿25mm的規格，其開關導軌安裝位置會改變，因此無法製作安裝型式耳軸型。另外，安裝位置請參閱第329頁。



## 開關規格

● 單色/雙色顯示方式

| 項目   | 無接點2線式                           |                       | 無接點3線式                  |                         |                |                      | 有接點2線式                  |                         |                         |                 | 無接點2線式                         |                |              |          |                         |        |        |
|------|----------------------------------|-----------------------|-------------------------|-------------------------|----------------|----------------------|-------------------------|-------------------------|-------------------------|-----------------|--------------------------------|----------------|--------------|----------|-------------------------|--------|--------|
|      | T1H・T1V                          | T2H・T2V・<br>T2JH・T2JV | T2YH・<br>T2YV           | T2WH・<br>T2WV           | T3H・T3V        | T3PH・T3PV<br>(撥單生產)  | T3YH・<br>T3YV           | T3WH・<br>T3WV           | T0H・T0V                 | T5H・T5V         | T8H・T8V                        | T2YD           |              |          |                         |        |        |
| 用途   | 可程式控制器<br>繼電器、小型電磁閥用             | 可程式控制器專用              |                         |                         |                | 可程式控制器、繼電器用          |                         |                         |                         | 可程式控制器、<br>繼電器用 | 可程式控制器、繼電器<br>IC退路(無顯示燈)、串聯連接用 | 可程式控制器、繼電器用    | 可程式<br>控制器專用 |          |                         |        |        |
| 輸出方式 | —                                |                       |                         |                         | NPN輸出          | PNP輸出                | NPN輸出                   | NPN輸出                   | —                       |                 |                                |                | —            |          |                         |        |        |
| 電源電壓 | —                                |                       |                         |                         | DC10~28V       |                      |                         |                         | —                       |                 |                                |                | —            |          |                         |        |        |
| 負載電壓 | AC85~265V                        | DC10~30V              | DC24V±10%               | DC30V以下                 |                |                      |                         | DC12/24V                | AC100/110V              | DC5/12/24V      | AC100/110V                     | DC12/24V       | AC110V       | AC220V   | DC24V±10%               |        |        |
| 負載電流 | 5~100mA                          | 5~20mA (註2)           |                         |                         |                | 100mA以下              |                         | 50mA以下                  |                         | 5~50mA          | 7~20mA                         | 50mA以下         | 20mA以下       | 5~50mA   | 7~20mA                  | 7~10mA | 5~20mA |
| 顯示燈  | LED<br>(ON時亮燈)                   | LED<br>(ON時亮燈)        | 紅色/綠色<br>LED<br>(ON時亮燈) | 紅色/綠色<br>LED<br>(ON時亮燈) | LED<br>(ON時亮燈) | 黃色<br>LED<br>(ON時亮燈) | 紅色/綠色<br>LED<br>(ON時亮燈) | 紅色/綠色<br>LED<br>(ON時亮燈) | LED<br>(ON時亮燈)          | 無顯示燈            |                                | LED<br>(ON時亮燈) |              |          | 紅色/綠色<br>LED<br>(ON時亮燈) |        |        |
| 漏電電流 | AC100V時電流小於1mA<br>AC200V時電流小於2mA | 1mA以下                 |                         |                         |                | 10μA以下               |                         |                         |                         | 0mA             |                                |                |              | 1mA以下    |                         |        |        |
| 重量 g | 1m : 33                          | 1m : 18               | 1m : 33                 | 1m : 18                 | 1m : 18        | 1m : 33              | 1m : 18                 | 1m : 18                 | 1m : 18 3m : 49 5m : 80 |                 |                                | 1m : 33        |              | 1m : 61  |                         |        |        |
|      | 3m : 87                          | 3m : 49               | 3m : 87                 | 3m : 49                 | 3m : 49        | 3m : 87              | 3m : 49                 | 3m : 49                 | 1m : 18 3m : 49 5m : 80 |                 |                                | 3m : 87        |              | 3m : 166 |                         |        |        |
|      | 5m : 142                         | 5m : 80               | 5m : 142                | 5m : 80                 | 5m : 80        | 5m : 142             | 5m : 80                 | 5m : 80                 | 1m : 18 3m : 49 5m : 80 |                 |                                | 5m : 142       |              | 5m : 272 |                         |        |        |

註1：其他開關規格，請參閱卷尾第1頁。

註2：上述負載電流的最大值：20mA為溫度25°C時的數值。開關使用環境溫度若高於25°C，電流將降至低於20mA。  
(溫度到達60°C時，則電流為5~10mA。)

註3：T0/T5開關也可使用AC220V。關於使用條件，請洽詢本公司。

註4：交流磁場用開關(T2YD)於直流磁場環境下無法使用。

註5：外形尺寸視開關型號而異。詳細內容請參閱卷尾第18頁。

## 氣缸重量

(單位：kg)

| 項目、安裝型式 | 行程<br>調整範圍 | 行程(s) = 0mm時的產品重量 |       |      |      | 開關重量<br>(每1個)          | S=10mm時<br>的累計重量 | S=10mm時的累計<br>重量(附導軌) | 1個開關的<br>綁帶重量 |
|---------|------------|-------------------|-------|------|------|------------------------|------------------|-----------------------|---------------|
|         |            | 基本型               | 軸向腳架型 | 法蘭型  | 耳軸型  |                        |                  |                       |               |
| φ20     | 25         | 0.18              | 0.29  | 0.26 | 0.19 | 請參閱開關<br>規格內記載<br>的重量。 | 0.010            | 0.012                 | 0.007         |
|         | 50         | 0.21              | 0.31  | 0.29 | 0.22 |                        |                  |                       |               |
| φ25     | 25         | 0.33              | 0.44  | 0.43 | 0.35 |                        | 0.014            | 0.016                 | 0.007         |
|         | 50         | 0.37              | 0.48  | 0.47 | 0.39 |                        |                  |                       |               |
| φ32     | 25         | 0.50              | 0.64  | 0.64 | 0.53 |                        | 0.018            | 0.020                 | 0.007         |
|         | 50         | 0.56              | 0.71  | 0.70 | 0.59 |                        |                  |                       |               |
| φ40     | 25         | 0.93              | 1.12  | 1.13 | 0.98 |                        | 0.030            | 0.032                 | 0.007         |
|         | 50         | 1.03              | 1.22  | 1.23 | 1.08 |                        |                  |                       |               |
| φ50     | 25         | 1.71              | 2.12  | 2.05 | 1.85 |                        | 0.044            | 0.046                 | 0.008         |
|         | 50         | 1.90              | 2.31  | 2.24 | 2.04 |                        |                  |                       |               |
| φ63     | 25         | 2.25              | 2.87  | 2.75 | 2.39 |                        | 0.052            | 0.054                 | 0.009         |
|         | 50         | 2.44              | 3.06  | 2.94 | 2.58 |                        |                  |                       |               |

(範例) SCM-P-LB-40D-100-50-T2H-D的產品重量

$$\left\{ \begin{array}{l} S=0\text{mm時的產品重量} \cdots \cdots \cdots 1.22\text{kg} \\ S=100\text{mm時的累計重量} \cdots \cdots \cdots 0.032 \times \frac{100}{10} = 0.32\text{kg} \\ 2\text{個開關的重量} \cdots \cdots \cdots 0.036\text{kg} \\ \text{產品重量} \cdots \cdots \cdots 1.22\text{kg} + 0.32\text{kg} + 0.036\text{kg} = 1.576\text{kg} \end{array} \right.$$

## 理論推力表

(單位：N)

| 氣缸內徑<br>(mm) | 動作方向      | 使用壓力 MPa             |                      |                      |                      |                      |                      |                      |                      |                      |                      |                      |
|--------------|-----------|----------------------|----------------------|----------------------|----------------------|----------------------|----------------------|----------------------|----------------------|----------------------|----------------------|----------------------|
|              |           | 0.1                  | 0.15                 | 0.2                  | 0.3                  | 0.4                  | 0.5                  | 0.6                  | 0.7                  | 0.8                  | 0.9                  | 1.0                  |
| φ20          | Push/Pull | 26.4                 | 39.6                 | 52.8                 | 79.2                 | 1.06×10 <sup>2</sup> | 1.32×10 <sup>2</sup> | 1.58×10 <sup>2</sup> | 1.85×10 <sup>2</sup> | 2.11×10 <sup>2</sup> | 2.38×10 <sup>2</sup> | 2.64×10 <sup>2</sup> |
| φ25          | Push/Pull | 41.2                 | 61.9                 | 82.5                 | 1.24×10 <sup>2</sup> | 1.65×10 <sup>2</sup> | 2.06×10 <sup>2</sup> | 2.47×10 <sup>2</sup> | 2.89×10 <sup>2</sup> | 3.30×10 <sup>2</sup> | 3.71×10 <sup>2</sup> | 4.12×10 <sup>2</sup> |
| φ32          | Push/Pull | 69.1                 | 1.04×10 <sup>2</sup> | 1.38×10 <sup>2</sup> | 2.07×10 <sup>2</sup> | 2.76×10 <sup>2</sup> | 3.46×10 <sup>2</sup> | 4.15×10 <sup>2</sup> | 4.84×10 <sup>2</sup> | 5.53×10 <sup>2</sup> | 6.22×10 <sup>2</sup> | 6.91×10 <sup>2</sup> |
| φ40          | Push/Pull | 1.06×10 <sup>2</sup> | 1.58×10 <sup>2</sup> | 2.11×10 <sup>2</sup> | 3.17×10 <sup>2</sup> | 4.22×10 <sup>2</sup> | 5.28×10 <sup>2</sup> | 6.33×10 <sup>2</sup> | 7.39×10 <sup>2</sup> | 8.44×10 <sup>2</sup> | 9.50×10 <sup>2</sup> | 1.06×10 <sup>3</sup> |
| φ50          | Push/Pull | 1.65×10 <sup>2</sup> | 2.47×10 <sup>2</sup> | 3.30×10 <sup>2</sup> | 4.95×10 <sup>2</sup> | 6.60×10 <sup>2</sup> | 8.25×10 <sup>2</sup> | 9.90×10 <sup>2</sup> | 1.15×10 <sup>3</sup> | 1.32×10 <sup>3</sup> | 1.48×10 <sup>3</sup> | 1.65×10 <sup>3</sup> |
| φ63          | Push/Pull | 2.80×10 <sup>2</sup> | 4.20×10 <sup>2</sup> | 5.61×10 <sup>2</sup> | 8.41×10 <sup>2</sup> | 1.12×10 <sup>3</sup> | 1.40×10 <sup>3</sup> | 1.68×10 <sup>3</sup> | 1.96×10 <sup>3</sup> | 2.24×10 <sup>3</sup> | 2.52×10 <sup>3</sup> | 2.80×10 <sup>3</sup> |

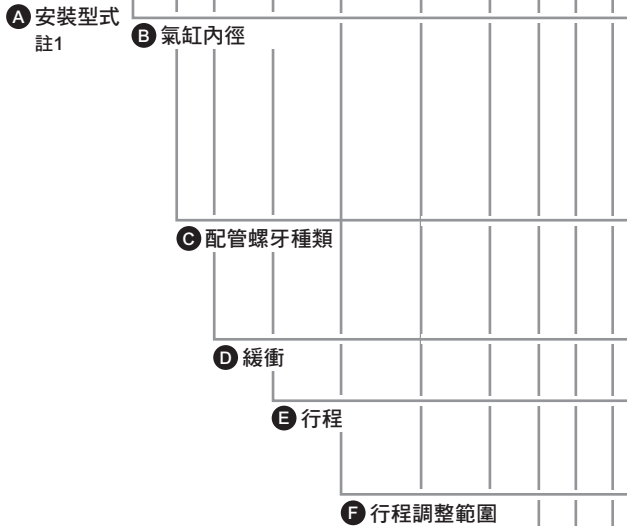
## 型號標示方法

無開關（內置開關用磁鐵）

SCM-P - LB - 40 - D - 100 - 25 - J - I

附開關（內置開關用磁鐵）

SCM-P - LB - 40 - D - 100 - 25 - T0H - D - J - I



### 選定型號時的注意事項

- 註1：安裝固定架的LB、FB、TB將裝配於產品上一併出貨。FA、TA將添附於產品內一併出貨。
- 註2：關於開關安裝數量及最小行程，請參閱第252頁。
- 註3：除了G所示的開關型號外，亦備有其他開關可供選擇。（接單生產）  
詳細內容請參閱卷尾第1頁。
- 註4：若氣缸內徑為φ20~φ40且開關安裝方式採導軌方式，將無法配置T8H/V開關。
- 註5：瞬間最高溫度是指火花或切削粉末等瞬間接觸到防塵套時的溫度。
- 註6：有關活塞桿前端外形製作規格，請參閱卷尾第85頁。
- 註7：開關安裝方式若選定「Z」，將無法選定添附開關導軌出貨「Q」之選項。
- 註8：無法同時選定「I」和「Y」。
- 註9：開關將添附於產品內一併出貨。如需組裝產品後出貨，請洽詢本公司。

### 〈型號標示範例〉

SCM-P-LB-40D-100-25-T0H-D-JI

機型：微型氣缸 複動、行程調整型（推出）

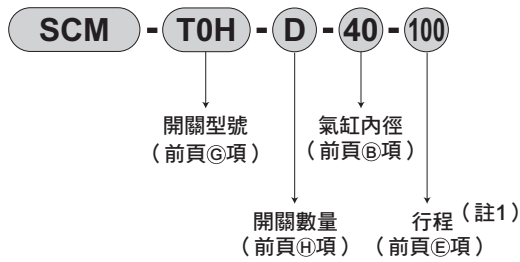
- A 安裝型式：軸向腳架型
- B 氣缸內徑：φ40mm
- C 配管螺牙種類：Rc螺牙
- D 緩衝：附兩側橡膠緩衝
- E 行程：100mm
- F 行程調整範圍：25mm
- G 開關型號：有接點T0H開關、導線1m
- H 開關數量：附2個
- I 開關安裝方式：導軌方式
- J 選購品：防塵套材質、最高環境溫度60℃用
- K 附屬品：一山關節

| 記號                   | 內容                    |         |        |      |                |                 |    |
|----------------------|-----------------------|---------|--------|------|----------------|-----------------|----|
| <b>A 安裝型式</b>        |                       |         |        |      |                |                 |    |
| 00                   | 基本型                   |         |        |      |                |                 |    |
| LB                   | 軸向腳架型                 |         |        |      |                |                 |    |
| FA                   | 活塞桿側法蘭型               |         |        |      |                |                 |    |
| TA                   | 活塞桿側耳軸型               |         |        |      |                |                 |    |
| TB                   | 頭蓋側耳軸型                |         |        |      |                |                 |    |
| <b>B 氣缸內徑 (mm)</b>   |                       |         |        |      |                |                 |    |
| 20                   | φ20                   |         |        |      |                |                 |    |
| 25                   | φ25                   |         |        |      |                |                 |    |
| 32                   | φ32                   |         |        |      |                |                 |    |
| 40                   | φ40                   |         |        |      |                |                 |    |
| 50                   | φ50                   |         |        |      |                |                 |    |
| 63                   | φ63                   |         |        |      |                |                 |    |
| <b>C 配管螺牙種類</b>      |                       |         |        |      |                |                 |    |
| 無記號                  | Rc螺牙                  |         |        |      |                |                 |    |
| N                    | NPT螺牙（接單生產）           |         |        |      |                |                 |    |
| G                    | G螺牙（接單生產）             |         |        |      |                |                 |    |
| <b>D 緩衝</b>          |                       |         |        |      |                |                 |    |
| D                    | 附兩側橡膠緩衝               |         |        |      |                |                 |    |
| <b>E 行程 (mm)</b>     |                       |         |        |      |                |                 |    |
| 氣缸內徑                 | 行程註2                  | 中間行程    |        |      |                |                 |    |
| φ20~φ63              | 10~600                | 以1mm為單位 |        |      |                |                 |    |
| <b>F 行程調整範圍 (mm)</b> |                       |         |        |      |                |                 |    |
| 25                   | 25                    |         |        |      |                |                 |    |
| 50                   | 50                    |         |        |      |                |                 |    |
| <b>G 開關型號</b>        |                       |         |        |      |                |                 |    |
| 導線直型                 | 導線L型                  | 接點      | 電壓     | 顯示   | 導線             |                 |    |
|                      |                       | AC      | DC     |      |                |                 |    |
| T0H※                 | T0V※                  | 有接點     | ●      | ●    | 單色顯示方式<br>無顯示燈 | 2線              |    |
| T5H※                 | T5V※                  |         | ●      | ●    |                |                 |    |
| T8H※                 | T8V※                  |         | ●      | ●    |                |                 |    |
| T1H※                 | T1V※                  | 無接點     | ●      |      | 單色顯示方式         | 2線              |    |
| T2H※                 | T2V※                  |         |        | ●    |                |                 |    |
| T3H※                 | T3V※                  |         |        | ●    | 單色顯示方式（接單生產）   | 3線              |    |
| T3PH※                | T3PV※                 |         |        | ●    |                |                 |    |
| T2WH※                | T2WV※                 |         |        | ●    | 雙色顯示方式         | 2線              |    |
| T2YH※                | T2YV※                 |         |        | ●    |                |                 |    |
| T3WH※                | T3WV※                 |         |        | ●    |                |                 |    |
| T3YH※                | T3YV※                 |         |        | ●    |                |                 |    |
| T2YD※                | -                     |         |        | ●    | ●              | 雙色顯示方式<br>交流磁場用 | 2線 |
| T2YDT※               | -                     |         |        | ●    | ●              |                 |    |
| T2JH※                | T2JV※                 |         | ●      | ●    | 單色顯示方式斷電延遲型    | 2線              |    |
| <b>※導線長度</b>         |                       |         |        |      |                |                 |    |
| 無記號                  | 1m（標準）                |         |        |      |                |                 |    |
| 3                    | 3m（選購品）               |         |        |      |                |                 |    |
| 5                    | 5m（選購品）               |         |        |      |                |                 |    |
| <b>H 開關數量</b>        |                       |         |        |      |                |                 |    |
| R                    | 活塞桿側附1個               |         |        |      |                |                 |    |
| H                    | 頭蓋側附1個                |         |        |      |                |                 |    |
| D                    | 附2個                   |         |        |      |                |                 |    |
| T                    | 附3個                   |         |        |      |                |                 |    |
| 4                    | 附4個（若需要4個以上，請填寫開關數量。） |         |        |      |                |                 |    |
| <b>I 開關安裝方式</b>      |                       |         |        |      |                |                 |    |
| 無記號                  | 導軌方式                  |         |        |      |                |                 |    |
| Z                    | 綁帶方式                  |         |        |      |                |                 |    |
| <b>J 選購品</b>         |                       |         |        |      |                |                 |    |
|                      |                       |         | 最高環境溫度 |      | 瞬間最高溫度         |                 |    |
| J                    | 防塵套                   |         | 60℃    | 100℃ |                |                 |    |
| K                    | 防塵套                   |         | 100℃   | 200℃ |                |                 |    |
| L                    | 防塵套                   |         | 250℃   | 400℃ |                |                 |    |
| Q                    | 開關導軌添附出貨              |         |        |      |                |                 |    |
| M                    | 活塞桿材質（不鏽鋼）            |         |        |      |                |                 |    |
| P6                   | 銅離子防止處理               |         |        |      |                |                 |    |
| <b>K 附屬品</b>         |                       |         |        |      |                |                 |    |
| I                    | 一山關節                  |         |        |      |                |                 |    |
| Y                    | 二山關節（添附插銷及止環）         |         |        |      |                |                 |    |
| B2                   | 二山固定架                 |         |        |      |                |                 |    |

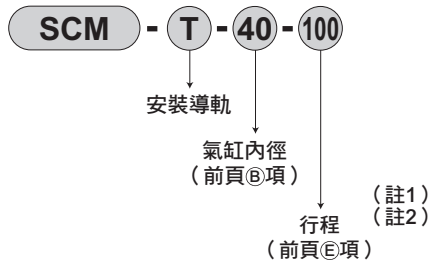
## 開關單品型號標示方法

〈開關安裝方式：導軌方式〉

- 開關本體+安裝導軌一式



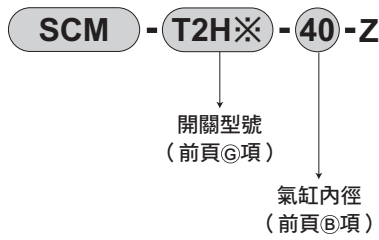
- 僅安裝導軌



- 註1：行程超出300mm者請標示X。  
行程超出300mm時，每一個開關將附有1支短導軌（開關調整移動距離為100mm）。
- 註2：僅安裝導軌且標示為X時，請依照所使用的開關數量訂購相同數量的導軌。

〈開關安裝方式：綁帶方式〉

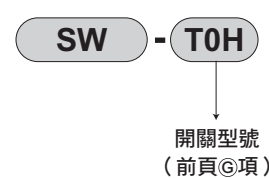
- 開關本體+安裝固定架一式+綁帶



- 安裝固定架一式+綁帶



〈僅開關本體〉



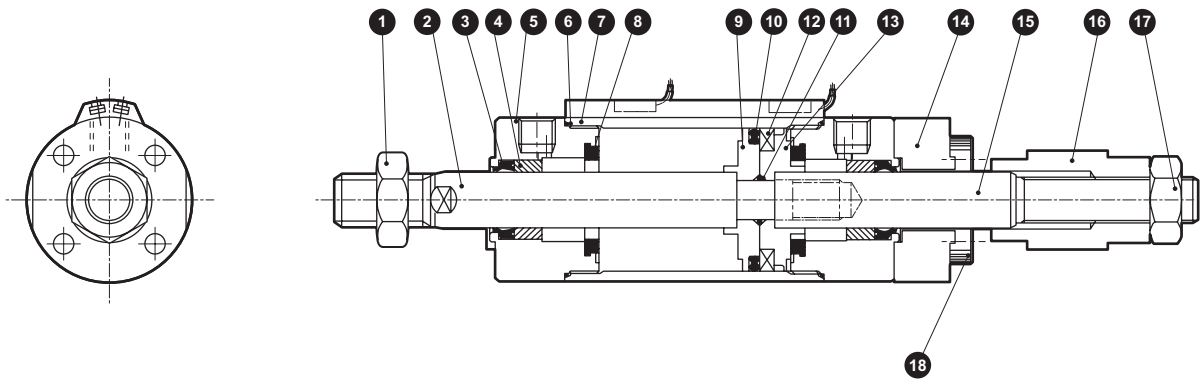
## 安裝固定架型號標示方法

| 氣缸內徑 (mm)   | φ 20      | φ 25      | φ 32      | φ 40      | φ 50      | φ 63      |
|-------------|-----------|-----------|-----------|-----------|-----------|-----------|
| 安裝固定架       |           |           |           |           |           |           |
| 腳架 (LB)     | SCM-LB-20 | SCM-LB-25 | SCM-LB-32 | SCM-LB-40 | SCM-LB-50 | SCM-LB-63 |
| 法蘭 (FA/FB)  | SCM-FA-20 | SCM-FA-25 | SCM-FA-32 | SCM-FA-40 | SCM-FA-50 | SCM-FA-63 |
| 耳軸型 (TA/TB) | SCM-TA-20 | SCM-TA-25 | SCM-TA-32 | SCM-TA-40 | SCM-TA-50 | SCM-TA-63 |

- 註1：各安裝固定架皆有添附安裝用螺栓。
- 註2：腳架型安裝固定架為每組2個。

- SCP※3
- CMK2
- CMA2
- SCM**
- SCG
- SCA2
- SCS2
- CKV2
- CAV2・COVPI2
- SSD2
- SSG
- SSD
- CAT
- MDC2
- MVC
- SMG
- MSD・MSDG
- FC※
- STK
- SRL3
- SRG3
- SRM3
- SRT3
- MRL2
- MRG2
- SM-25
- 緩衝器
- FJ
- FK
- 調速閥
- 卷尾

## 內部結構及零件一覽表



| 編號 | 零件名稱  | 材質                               | 備註    | 編號 | 零件名稱  | 材質                               | 備註    |
|----|-------|----------------------------------|-------|----|-------|----------------------------------|-------|
| 1  | 活塞桿螺帽 | 鋼                                | 鍍鎳    | 10 | 活塞墊圈  | 丁腈橡膠                             |       |
| 2  | 活塞桿R  | φ 20、φ 25：不鏽鋼<br>φ 32~φ 63：鋼     | 工業用鍍鉻 | 11 | 活塞墊片  | 丁腈橡膠                             |       |
| 3  | 活塞桿墊圈 | 丁腈橡膠                             |       | 12 | 磁鐵    | 塑料                               |       |
| 4  | 軸套    | 含油軸承合金 <sup>註1</sup>             |       | 13 | 活塞H   | φ 20~φ 40：鋁合金<br>φ 50、φ 63：鋁合金壓鑄 |       |
| 5  | 活塞桿蓋  | φ 20~φ 40：鋁合金<br>φ 50、φ 63：鋁合金壓鑄 | 烤漆    | 14 | 護蓋    | 鋼                                | 鍍鋅    |
| 6  | 氣缸墊圈  | 丁腈橡膠                             |       | 15 | 活塞桿H  | 鋼                                | 工業用鍍鉻 |
| 7  | 缸管    | 鋁合金                              | 硬質耐酸鋁 | 16 | 止動器   | 鋼                                | 鍍鋅    |
| 8  | 緩衝橡膠  | 聚氨酯橡膠                            |       | 17 | 六角螺帽  | 鋼                                | 鍍鎳    |
| 9  | 活塞R   | φ 20~φ 40：鋁合金<br>φ 50、φ 63：鋁合金壓鑄 |       | 18 | 內六角螺栓 | 合金鋼                              | 染黑    |

註1：銅離子防止處理規格所採用的材質為含油鑄鐵製軸承。

## 消耗性零件一覽表

| 氣缸內徑 (mm) | 套件編號       | 消耗性零件編號  |
|-----------|------------|----------|
| φ 20      | SCM-D-20DK | 3 6 8 10 |
| φ 25      | SCM-D-25DK |          |
| φ 32      | SCM-D-32DK |          |
| φ 40      | SCM-D-40DK |          |
| φ 50      | SCM-D-50DK |          |
| φ 63      | SCM-D-63DK |          |

註1：訂購時請指定套件編號。



SCP\*3  
CMK2  
CMA2

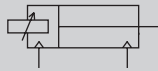


微型氣缸  
複動、行程調整型（引入）

# SCM-R Series

● 氣缸內徑：φ 20、φ 25、φ 32、φ 40、φ 50、φ 63

JIS記號



SCM  
SCG  
SCA2  
SCS2  
CKV2  
CAV2・COVPIN2  
SSD2  
SSG  
SSD  
CAT

## 規格

| 項目     | SCM-R                  |                            |      |                  |                                    |      |      |  |
|--------|------------------------|----------------------------|------|------------------|------------------------------------|------|------|--|
| 氣缸內徑   | mm                     | φ 20                       | φ 25 | φ 32             | φ 40                               | φ 50 | φ 63 |  |
| 動作方式   | 複動、行程調整型（引入）           |                            |      |                  |                                    |      |      |  |
| 使用流體   | 壓縮空氣                   |                            |      |                  |                                    |      |      |  |
| 最高使用壓力 | MPa                    | 1.0                        |      |                  |                                    |      |      |  |
| 最低使用壓力 | MPa                    | 0.1                        |      |                  | 0.05                               |      |      |  |
| 耐壓力    | MPa                    | 1.6                        |      |                  |                                    |      |      |  |
| 環境溫度   | °C                     | -10~60（避免結凍）               |      |                  |                                    |      |      |  |
| 連接口徑   |                        | Rc1/8                      |      |                  | Rc1/4                              |      |      |  |
| 行程容許差  | mm                     | +1.4<br>0（~1000）           |      | +1.4<br>0（~1500） | +2.3<br>0（~1000）, +2.7<br>0（~1500） |      |      |  |
| 使用活塞速度 | mm/s                   | 30~1000（使用時不得超過吸收能量的容許範圍。） |      |                  |                                    |      |      |  |
| 緩衝     | 橡膠緩衝                   |                            |      |                  |                                    |      |      |  |
| 給油     | 不要（給油時請使用渦輪機油ISO VG32） |                            |      |                  |                                    |      |      |  |
| 行程調整範圍 | mm                     | 25、50                      |      |                  |                                    |      |      |  |
| 容許吸收能量 | J                      | 0.1                        | 0.2  | 0.5              | 0.9                                | 1.6  | 1.6  |  |

MDC2  
MVC  
SMG  
MSD・MSDG  
FC\*

## 行程

| 氣缸內徑 (mm) | 標準行程 (mm)   | 最大行程 (mm) | 最小行程 (mm) |
|-----------|-------------|-----------|-----------|
| φ 20      | 25、50、75    | 1000      | 10        |
| φ 25      |             |           |           |
| φ 32      |             |           |           |
| φ 40      | 100、125、150 | 1500      |           |
| φ 50      |             |           |           |
| φ 63      | 200、250、300 |           |           |

註1：中間行程的製作規格間距為1mm。

註2：行程超過600mm時採接單生產方式，請洽詢本公司。

STK  
SRL3

## 開關安裝數量及最小行程 (mm)

● 開關安裝方式：導軌方式

| 開關數量<br>氣缸內徑<br>(mm) | 1     |         |      |     | 2     |         |      |     | 3     |         |      |     | 4     |         |      |     | 5     |         |      |     |
|----------------------|-------|---------|------|-----|-------|---------|------|-----|-------|---------|------|-----|-------|---------|------|-----|-------|---------|------|-----|
|                      | 無接點   |         |      | 有接點 | 無接點   |         |      | 有接點 | 無接點   |         |      | 有接點 | 無接點   |         |      | 有接點 | 無接點   |         |      | 有接點 |
|                      | T2,T3 | T2W,T3W | T*Y* |     | T2,T3 | T2W,T3W | T*Y* |     | T2,T3 | T2W,T3W | T*Y* |     | T2,T3 | T2W,T3W | T*Y* |     | T2,T3 | T2W,T3W | T*Y* |     |
| φ 20                 | 10    |         |      |     | 25    |         |      |     | 50    | 70      | 70   | 55  | 55    | 70      | 70   | 55  | 75    | 110     | 110  | 90  |
| φ 25                 | 10    |         |      |     | 25    |         |      |     | 50    | 70      | 70   | 55  | 55    | 70      | 70   | 55  | 75    | 110     | 110  | 90  |
| φ 32                 | 10    |         |      |     | 25    |         |      |     | 50    | 70      | 70   | 55  | 55    | 70      | 70   | 55  | 75    | 110     | 110  | 90  |
| φ 40                 | 10    |         |      |     | 25    |         |      |     | 50    | 70      | 70   | 55  | 55    | 70      | 70   | 55  | 75    | 110     | 110  | 90  |
| φ 50                 | 10    |         |      |     | 25    |         |      |     | 50    | 65      | 65   | 55  | 55    | 65      | 65   | 55  | 75    | 110     | 110  | 90  |
| φ 63                 | 10    |         |      |     | 25    |         |      |     | 50    | 65      | 65   | 55  | 55    | 65      | 65   | 55  | 75    | 110     | 110  | 90  |

SM-25  
緩衝器  
FJ  
FK  
調速閥  
卷尾

● 開關安裝方式：綁帶方式

| 開關數量<br>氣缸內徑<br>(mm) | 1     |         |      |     | 2     |         |      |     | 3     |         |      |     | 4     |         |      |     | 5     |         |      |     |
|----------------------|-------|---------|------|-----|-------|---------|------|-----|-------|---------|------|-----|-------|---------|------|-----|-------|---------|------|-----|
|                      | 無接點   |         |      | 有接點 | 無接點   |         |      | 有接點 | 無接點   |         |      | 有接點 | 無接點   |         |      | 有接點 | 無接點   |         |      | 有接點 |
|                      | T2,T3 | T2W,T3W | T*Y* |     | T2,T3 | T2W,T3W | T*Y* |     | T2,T3 | T2W,T3W | T*Y* |     | T2,T3 | T2W,T3W | T*Y* |     | T2,T3 | T2W,T3W | T*Y* |     |
| φ 20                 | 10    |         |      |     | 25    | 30      | 35   | 25  | 50    | 55      | 55   | 50  | 75    | 75      | 80   | 70  | 95    | 100     | 100  | 95  |
| φ 25                 | 10    |         |      |     | 25    | 30      | 35   | 25  | 50    | 55      | 55   | 50  | 75    | 75      | 80   | 70  | 95    | 100     | 100  | 95  |
| φ 32                 | 10    |         |      |     | 25    | 30      | 35   | 25  | 50    | 55      | 55   | 50  | 75    | 75      | 80   | 70  | 95    | 100     | 100  | 95  |
| φ 40                 | 10    |         |      |     | 25    | 30      | 35   | 25  | 50    | 55      | 55   | 50  | 75    | 75      | 80   | 70  | 95    | 100     | 100  | 95  |
| φ 50                 | 10    |         |      |     | 25    | 30      | 35   | 25  | 50    | 55      | 55   | 50  | 75    | 75      | 80   | 70  | 95    | 100     | 100  | 95  |
| φ 63                 | 10    |         |      |     | 25    | 30      | 35   | 25  | 50    | 55      | 55   | 50  | 75    | 75      | 80   | 70  | 95    | 100     | 100  | 95  |

註1：由於附1個開關且行程10mm以上未滿25mm的規格，其開關導軌安裝位置會改變，因此無法製作安裝型式耳軸型。另外，安裝位置請參閱第329頁。



### 開關規格

● 單色/雙色顯示方式

| 項目   | 無接點2線式                           |                            | 無接點2線式                      |                            |                            |                             | 無接點3線式                     |                            |                |            | 有接點2線式          |                             |                                |        |                              |                         | 無接點2線式 |
|------|----------------------------------|----------------------------|-----------------------------|----------------------------|----------------------------|-----------------------------|----------------------------|----------------------------|----------------|------------|-----------------|-----------------------------|--------------------------------|--------|------------------------------|-------------------------|--------|
|      | T1H・T1V                          | T2H・T2V・<br>T2JH・T2JV      | T2YH・<br>T2YV               | T2WH・<br>T2WV              | T3H・T3V                    | T3PH・T3PV<br>(接單生產)         | T3YH・<br>T3YV              | T3WH・<br>T3WV              | T0H・T0V        | T5H・T5V    | T8H・T8V         |                             |                                | T2YD   |                              |                         |        |
| 用途   | 可程式控制器<br>繼電器、小型電磁開關             |                            | 可程式控制器專用                    |                            |                            |                             | 可程式控制器、繼電器用                |                            |                |            | 可程式控制器、<br>繼電器用 |                             | 可程式控制器、繼電器<br>IC選路(無顯示燈)、串聯連接用 |        |                              | 可程式<br>控制器專用            |        |
| 輸出方式 | -                                |                            |                             |                            | NPN輸出                      | PNP輸出                       | NPN輸出                      | NPN輸出                      | -              |            |                 |                             |                                |        |                              |                         |        |
| 電源電壓 | -                                |                            |                             |                            | DC10~28V                   |                             |                            |                            | -              |            |                 |                             |                                |        |                              |                         |        |
| 負載電壓 | AC85~265V                        | DC10~30V                   |                             | DC24V±10%                  | DC30V以下                    |                             |                            |                            | DC12/24V       | AC100/110V | DC5/12/24V      | AC100/110V                  | DC12/24V                       | AC110V | AC220V                       | DC24V±10%               |        |
| 負載電流 | 5~100mA                          | 5~20mA (註2)                |                             |                            |                            | 100mA以下                     |                            | 50mA以下                     |                | 5~50mA     | 7~20mA          | 50mA以下                      | 20mA以下                         | 5~50mA | 7~20mA                       | 7~10mA                  | 5~20mA |
| 顯示燈  | LED<br>(ON時亮燈)                   | LED<br>(ON時亮燈)             | 紅色/綠色<br>LED<br>(ON時亮燈)     | 紅色/綠色<br>LED<br>(ON時亮燈)    | LED<br>(ON時亮燈)             | 黃色<br>LED<br>(ON時亮燈)        | 紅色/綠色<br>LED<br>(ON時亮燈)    | 紅色/綠色<br>LED<br>(ON時亮燈)    | LED<br>(ON時亮燈) |            | 無顯示燈            |                             | LED<br>(ON時亮燈)                 |        |                              | 紅色/綠色<br>LED<br>(ON時亮燈) |        |
| 漏電電流 | AC100V時電流小於1mA<br>AC200V時電流小於2mA | 1mA以下                      |                             |                            |                            | 10μA以下                      |                            |                            |                | 0mA        |                 |                             |                                |        |                              | 1mA以下                   |        |
| 重量 g | 1m: 33<br>3m: 87<br>5m: 142      | 1m: 18<br>3m: 49<br>5m: 80 | 1m: 33<br>3m: 87<br>5m: 142 | 1m: 18<br>3m: 49<br>5m: 80 | 1m: 18<br>3m: 49<br>5m: 80 | 1m: 33<br>3m: 87<br>5m: 142 | 1m: 18<br>3m: 49<br>5m: 80 | 1m: 18<br>3m: 49<br>5m: 80 | 1m: 18         | 3m: 49     | 5m: 80          | 1m: 33<br>3m: 87<br>5m: 142 |                                |        | 1m: 61<br>3m: 166<br>5m: 272 |                         |        |

註1: 其他開關規格, 請參閱卷尾第1頁。

註2: 上述負載電流的最大值: 20mA為溫度25°C時的數值。開關使用環境溫度若高於25°C, 電流將降至低於20mA。  
(溫度到達60°C時, 則電流為5~10mA。)

註3: T0/T5開關也可使用AC220V。關於使用條件, 請洽詢本公司。

註4: 交流磁場用開關(T2YD)於直流磁場環境下無法使用。

註5: 外形尺寸視開關型號而異。詳細內容請參閱卷尾第18頁。

### 氣缸重量

(單位: kg)

| 項目、安裝型式 | 行程<br>調整範圍 | 行程(S)=0mm時的產品重量 |       |      |      | 開關重量<br>(每1個)          | S=10mm時<br>的累計重量 | S=10mm時的累計<br>重量(附導軌) | 1個開關的<br>綁帶重量 |
|---------|------------|-----------------|-------|------|------|------------------------|------------------|-----------------------|---------------|
|         |            | 基本型             | 軸向腳架型 | 法蘭型  | 耳軸型  |                        |                  |                       |               |
| φ20     | 25         | 0.14            | 0.25  | 0.17 | 0.15 | 請參閱開關<br>規格內記載<br>的重量。 | 0.010            | 0.012                 | 0.007         |
|         | 50         | 0.15            | 0.25  | 0.18 | 0.16 |                        |                  |                       |               |
| φ25     | 25         | 0.25            | 0.36  | 0.29 | 0.27 |                        | 0.014            | 0.016                 | 0.007         |
|         | 50         | 0.26            | 0.37  | 0.30 | 0.28 |                        |                  |                       |               |
| φ32     | 25         | 0.37            | 0.52  | 0.43 | 0.40 |                        | 0.018            | 0.020                 | 0.007         |
|         | 50         | 0.38            | 0.52  | 0.44 | 0.41 |                        |                  |                       |               |
| φ40     | 25         | 0.70            | 0.89  | 0.78 | 0.75 |                        | 0.030            | 0.032                 | 0.007         |
|         | 50         | 0.72            | 0.91  | 0.80 | 0.77 |                        |                  |                       |               |
| φ50     | 25         | 1.30            | 1.71  | 1.64 | 1.44 |                        | 0.044            | 0.046                 | 0.008         |
|         | 50         | 1.33            | 1.75  | 1.67 | 1.47 |                        |                  |                       |               |
| φ63     | 25         | 1.83            | 2.45  | 2.33 | 1.97 |                        | 0.052            | 0.054                 | 0.009         |
|         | 50         | 1.86            | 2.48  | 2.36 | 2.00 |                        |                  |                       |               |

(範例) SCM-R-LB-40D-100-25-T2H-D的產品重量

- S=0mm時的產品重量 ..... 0.89kg
- S=100mm時的累計重量 .....  $0.032 \times \frac{100}{10} = 0.32\text{kg}$
- 2個開關的重量 ..... 0.036kg
- 產品重量 .....  $0.89\text{kg} + 0.32\text{kg} + 0.036\text{kg} = 1.246\text{kg}$

### 理論推力表

(單位: N)

| 氣缸內徑<br>(mm) | 動作方向 | 使用壓力 MPa           |                    |                    |                    |                    |                    |                    |                    |                    |                    |                    |
|--------------|------|--------------------|--------------------|--------------------|--------------------|--------------------|--------------------|--------------------|--------------------|--------------------|--------------------|--------------------|
|              |      | 0.1                | 0.15               | 0.2                | 0.3                | 0.4                | 0.5                | 0.6                | 0.7                | 0.8                | 0.9                | 1.0                |
| φ20          | Push | 31.4               | 47.1               | 62.8               | 94.2               | $1.26 \times 10^2$ | $1.57 \times 10^2$ | $1.88 \times 10^2$ | $2.20 \times 10^2$ | $2.51 \times 10^2$ | $2.83 \times 10^2$ | $3.14 \times 10^2$ |
|              | Pull | 26.4               | 39.6               | 52.8               | 79.2               | $1.06 \times 10^2$ | $1.32 \times 10^2$ | $1.58 \times 10^2$ | $1.85 \times 10^2$ | $2.11 \times 10^2$ | $2.38 \times 10^2$ | $2.64 \times 10^2$ |
| φ25          | Push | 49.1               | 73.6               | 98.2               | $1.47 \times 10^2$ | $1.96 \times 10^2$ | $2.45 \times 10^2$ | $2.95 \times 10^2$ | $3.44 \times 10^2$ | $3.93 \times 10^2$ | $4.42 \times 10^2$ | $4.91 \times 10^2$ |
|              | Pull | 41.2               | 61.9               | 82.5               | $1.24 \times 10^2$ | $1.65 \times 10^2$ | $2.06 \times 10^2$ | $2.47 \times 10^2$ | $2.89 \times 10^2$ | $3.30 \times 10^2$ | $3.71 \times 10^2$ | $4.12 \times 10^2$ |
| φ32          | Push | 80.4               | $1.21 \times 10^2$ | $1.61 \times 10^2$ | $2.41 \times 10^2$ | $3.22 \times 10^2$ | $4.02 \times 10^2$ | $4.83 \times 10^2$ | $5.63 \times 10^2$ | $6.43 \times 10^2$ | $7.24 \times 10^2$ | $8.04 \times 10^2$ |
|              | Pull | 69.1               | $1.04 \times 10^2$ | $1.38 \times 10^2$ | $2.07 \times 10^2$ | $2.76 \times 10^2$ | $3.46 \times 10^2$ | $4.15 \times 10^2$ | $4.84 \times 10^2$ | $5.53 \times 10^2$ | $6.22 \times 10^2$ | $6.91 \times 10^2$ |
| φ40          | Push | $1.26 \times 10^2$ | $1.88 \times 10^2$ | $2.51 \times 10^2$ | $3.77 \times 10^2$ | $5.03 \times 10^2$ | $6.28 \times 10^2$ | $7.54 \times 10^2$ | $8.80 \times 10^2$ | $1.01 \times 10^3$ | $1.13 \times 10^3$ | $1.26 \times 10^3$ |
|              | Pull | $1.06 \times 10^2$ | $1.58 \times 10^2$ | $2.11 \times 10^2$ | $3.17 \times 10^2$ | $4.22 \times 10^2$ | $5.28 \times 10^2$ | $6.33 \times 10^2$ | $7.39 \times 10^2$ | $8.44 \times 10^2$ | $9.50 \times 10^2$ | $1.06 \times 10^3$ |
| φ50          | Push | $1.96 \times 10^2$ | $2.95 \times 10^2$ | $3.93 \times 10^2$ | $5.89 \times 10^2$ | $7.85 \times 10^2$ | $9.82 \times 10^2$ | $1.18 \times 10^3$ | $1.37 \times 10^3$ | $1.57 \times 10^3$ | $1.77 \times 10^3$ | $1.96 \times 10^3$ |
|              | Pull | $1.65 \times 10^2$ | $2.47 \times 10^2$ | $3.30 \times 10^2$ | $4.95 \times 10^2$ | $6.60 \times 10^2$ | $8.25 \times 10^2$ | $9.90 \times 10^2$ | $1.15 \times 10^3$ | $1.32 \times 10^3$ | $1.48 \times 10^3$ | $1.65 \times 10^3$ |
| φ63          | Push | $3.12 \times 10^2$ | $4.68 \times 10^2$ | $6.23 \times 10^2$ | $9.35 \times 10^2$ | $1.25 \times 10^3$ | $1.56 \times 10^3$ | $1.87 \times 10^3$ | $2.18 \times 10^3$ | $2.49 \times 10^3$ | $2.81 \times 10^3$ | $3.12 \times 10^3$ |
|              | Pull | $2.80 \times 10^2$ | $4.20 \times 10^2$ | $5.61 \times 10^2$ | $8.41 \times 10^2$ | $1.12 \times 10^3$ | $1.40 \times 10^3$ | $1.68 \times 10^3$ | $1.96 \times 10^3$ | $2.24 \times 10^3$ | $2.52 \times 10^3$ | $2.80 \times 10^3$ |

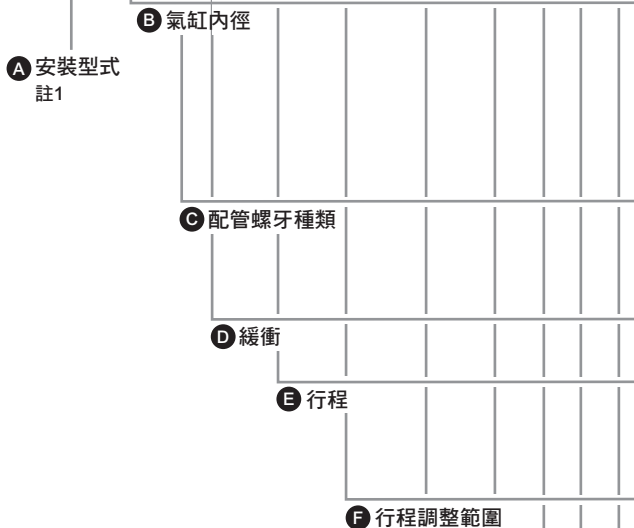
## 型號標示方法

無開關（內置開關用磁鐵）

SCM-R - LB - 40 - D - 100 - 25 - J - I

附開關（內置開關用磁鐵）

SCM-R - LB - 40 - D - 100 - 25 - T0H - D - J - I



### 選定型號時的注意事項

- 註1：安裝固定架的LB、FB、TB將裝配於產品上一併出貨。FA、TA將添附於產品內一併出貨。
- 註2：關於開關安裝數量及最小行程，請參閱第258頁。
- 註3：除了G所示的開關型號外，亦備有其他開關可供選擇。（接單生產）  
詳細內容請參閱卷尾第1頁。
- 註4：若氣缸內徑為φ20~φ40且開關安裝方式採導軌方式，將無法配置T8H/V開關。
- 註5：瞬間最高溫度是指火花或切削粉末等瞬間接觸到防塵套時的溫度。
- 註6：有關活塞桿前端外形製作規格，請參閱卷尾第85頁。
- 註7：開關安裝方式若選定「Z」，將無法選定添附開關導軌出貨「Q」之選項。
- 註8：無法同時選定「I」和「Y」。
- 註9：開關將添附於產品內一併出貨。如需組裝產品後出貨，請洽詢本公司。

### 〈型號標示範例〉

SCM-R-LB-40D-100-25-T0H-D-JI

機型：微型氣缸 複動、行程調整型（引入）

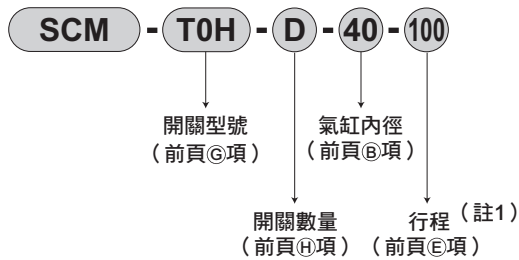
- A 安裝型式：軸向腳架型
- B 氣缸內徑：φ40mm
- C 配管螺牙種類：Rc螺牙
- D 緩衝：附兩側橡膠緩衝
- E 行程：100mm
- F 行程調整範圍：25mm
- G 開關型號：有接點T0H開關、導線1m
- H 開關數量：附2個
- I 開關安裝方式：導軌方式
- J 選購品：防塵套材質、最高環境溫度60℃用
- K 附屬品：一山關節

| 記號                   | 內容                    |         |        |             |              |    |
|----------------------|-----------------------|---------|--------|-------------|--------------|----|
| <b>A 安裝型式</b>        |                       |         |        |             |              |    |
| 00                   | 基本型                   |         |        |             |              |    |
| LB                   | 軸向腳架型                 |         |        |             |              |    |
| FA                   | 活塞桿側法蘭型               |         |        |             |              |    |
| TA                   | 活塞桿側耳軸型               |         |        |             |              |    |
| TB                   | 頭蓋側耳軸型                |         |        |             |              |    |
| <b>B 氣缸內徑 (mm)</b>   |                       |         |        |             |              |    |
| 20                   | φ20                   |         |        |             |              |    |
| 25                   | φ25                   |         |        |             |              |    |
| 32                   | φ32                   |         |        |             |              |    |
| 40                   | φ40                   |         |        |             |              |    |
| 50                   | φ50                   |         |        |             |              |    |
| 63                   | φ63                   |         |        |             |              |    |
| <b>C 配管螺牙種類</b>      |                       |         |        |             |              |    |
| 無記號                  | Rc螺牙                  |         |        |             |              |    |
| N                    | NPT螺牙（接單生產）           |         |        |             |              |    |
| G                    | G螺牙（接單生產）             |         |        |             |              |    |
| <b>D 緩衝</b>          |                       |         |        |             |              |    |
| D                    | 附兩側橡膠緩衝               |         |        |             |              |    |
| <b>E 行程 (mm)</b>     |                       |         |        |             |              |    |
| 氣缸內徑                 | 行程註2                  | 中間行程    |        |             |              |    |
| φ20~φ32              | 10~1000               | 以1mm為單位 |        |             |              |    |
| φ40~φ63              | 10~1500               |         |        |             |              |    |
| <b>F 行程調整範圍 (mm)</b> |                       |         |        |             |              |    |
| 25                   | 25                    |         |        |             |              |    |
| 50                   | 50                    |         |        |             |              |    |
| <b>G 開關型號</b>        |                       |         |        |             |              |    |
| 導線直型                 | 導線L型                  | 接點      | 電壓     | 顯示          | 導線           |    |
| T0H※                 | T0V※                  | 有接點     | AC     | ●           | 單色顯示方式       | 2線 |
| T5H※                 | T5V※                  |         | DC     | ●           |              |    |
| T8H※                 | T8V※                  | 無接點     | AC     | ●           | 單色顯示方式       | 2線 |
| T1H※                 | T1V※                  |         | DC     | ●           | 單色顯示方式       |    |
| T2H※                 | T2V※                  |         | AC     | ●           | 單色顯示方式       | 3線 |
| T3H※                 | T3V※                  |         | DC     | ●           | 單色顯示方式（接單生產） |    |
| T3PH※                | T3PV※                 |         | AC     | ●           | 雙色顯示方式       | 2線 |
| T2WH※                | T2WV※                 |         | DC     | ●           |              |    |
| T2YH※                | T2YV※                 |         | AC     | ●           | 雙色顯示方式       | 3線 |
| T3WH※                | T3WV※                 |         | DC     | ●           |              |    |
| T3YH※                | T3YV※                 |         | AC     | ●           | 雙色顯示方式       | 2線 |
| T2YD※                | -                     |         | DC     | ●           |              |    |
| T2YDT※               | -                     | AC      | ●      | 交流磁場用       | 2線           |    |
| T2JH※                | T2JV※                 | DC      | ●      | 單色顯示方式斷電延遲型 |              |    |
| <b>※導線長度</b>         |                       |         |        |             |              |    |
| 無記號                  | 1m（標準）                |         |        |             |              |    |
| 3                    | 3m（選購品）               |         |        |             |              |    |
| 5                    | 5m（選購品）               |         |        |             |              |    |
| <b>H 開關數量</b>        |                       |         |        |             |              |    |
| R                    | 活塞桿側附1個               |         |        |             |              |    |
| H                    | 頭蓋側附1個                |         |        |             |              |    |
| D                    | 附2個                   |         |        |             |              |    |
| T                    | 附3個                   |         |        |             |              |    |
| 4                    | 附4個（若需要4個以上，請填寫開關數量。） |         |        |             |              |    |
| <b>I 開關安裝方式</b>      |                       |         |        |             |              |    |
| 無記號                  | 導軌方式                  |         |        |             |              |    |
| Z                    | 綁帶方式                  |         |        |             |              |    |
| <b>J 選購品</b>         |                       |         |        |             |              |    |
|                      |                       | 最高環境溫度  | 瞬間最高溫度 |             |              |    |
| J                    | 防塵套                   | 60℃     | 100℃   |             |              |    |
| K                    | 防塵套                   | 100℃    | 200℃   |             |              |    |
| L                    | 防塵套                   | 250℃    | 400℃   |             |              |    |
| Q                    | 開關導軌添附出貨              |         |        |             |              |    |
| M                    | 活塞桿材質（不鏽鋼）            |         |        |             |              |    |
| P6                   | 銅離子防止處理               |         |        |             |              |    |
| <b>K 附屬品</b>         |                       |         |        |             |              |    |
| I                    | 一山關節                  |         |        |             |              |    |
| Y                    | 二山關節（添附插銷及止環）         |         |        |             |              |    |
| B2                   | 二山固定架                 |         |        |             |              |    |

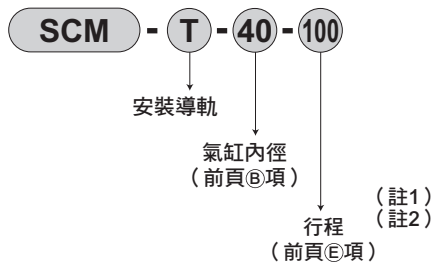
## 開關單品型號標示方法

〈開關安裝方式：導軌方式〉

- 開關本體 + 安裝導軌一式



- 僅安裝導軌

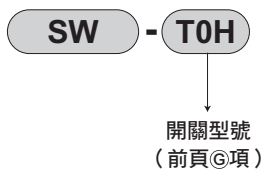


註1：行程超出300mm者請標示X。

行程超出300mm時，每一個開關將附有1支短導軌（開關調整移動距離為100mm）。

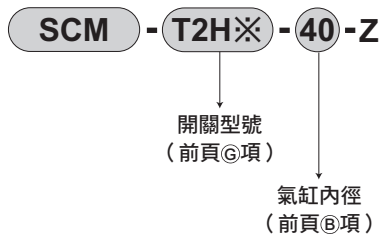
註2：僅安裝導軌且標示為X時，請依照所使用的開關數量訂購相同數量的導軌。

〈僅開關本體〉



〈開關安裝方式：綁帶方式〉

- 開關本體 + 安裝固定架一式 + 綁帶



- 安裝固定架一式 + 綁帶



## 安裝固定架型號標示方法

| 氣缸內徑 (mm)   | φ 20      | φ 25      | φ 32      | φ 40      | φ 50      | φ 63      |
|-------------|-----------|-----------|-----------|-----------|-----------|-----------|
| 安裝固定架       |           |           |           |           |           |           |
| 腳架 (LB)     | SCM-LB-20 | SCM-LB-25 | SCM-LB-32 | SCM-LB-40 | SCM-LB-50 | SCM-LB-63 |
| 法蘭 (FA/FB)  | SCM-FA-20 | SCM-FA-25 | SCM-FA-32 | SCM-FA-40 | SCM-FA-50 | SCM-FA-63 |
| 耳軸型 (TA/TB) | SCM-TA-20 | SCM-TA-25 | SCM-TA-32 | SCM-TA-40 | SCM-TA-50 | SCM-TA-63 |

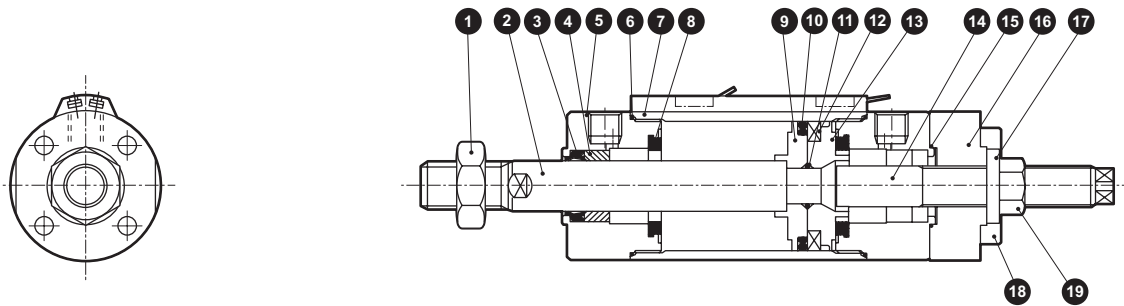
註1：各安裝固定架皆有添附安裝用螺栓。

註2：腳架型安裝固定架為每組2個。

- SCP※3
- CMK2
- CMA2
- SCM**
- SCG
- SCA2
- SCS2
- CKV2
- CAV2・COV/PIN2
- SSD2
- SSG
- SSD
- CAT
- MDC2
- MVC
- SMG
- MSD・MSDG
- FC※
- STK
- SRL3
- SRG3
- SRM3
- SRT3
- MRL2
- MRG2
- SM-25
- 緩衝器
- FJ
- FK
- 調速閥
- 卷尾

- SCP※3
- CMK2
- CMA2
- SCM**
- SCG
- SCA2
- SCS2
- CKV2
- CAV2・COVPIN2
- SSD2
- SSG
- SSD
- CAT
- MDC2
- MVC
- SMG
- MSD・MSDG
- FC※
- STK
- SRL3
- SRG3
- SRM3
- SRT3
- MRL2
- MRG2
- SM-25
- 緩衝器
- FJ
- FK
- 調速閥
- 卷尾

## 內部結構及零件一覽表



| 編號 | 零件名稱  | 材質                             | 備註    | 編號 | 零件名稱  | 材質                             | 備註 |
|----|-------|--------------------------------|-------|----|-------|--------------------------------|----|
| 1  | 活塞桿螺帽 | 鋼                              | 鍍鎳    | 10 | 活塞墊圈  | 丁腈橡膠                           |    |
| 2  | 活塞桿   | 鋼                              | 工業用鍍鉻 | 11 | 活塞墊圈  | 丁腈橡膠                           |    |
| 3  | 活塞桿墊圈 | 丁腈橡膠                           |       | 12 | 磁鐵    | 塑料                             |    |
| 4  | 軸套    | 含油軸承合金 <sup>註1</sup>           |       | 13 | 活塞H   | φ20~φ40: 鋁合金<br>φ50、φ63: 鋁合金壓鑄 |    |
| 5  | 活塞桿蓋  | φ20~φ40: 鋁合金<br>φ50、φ63: 鋁合金壓鑄 | 烤漆    | 14 | 螺栓    | 鋼                              | 鍍鋅 |
| 6  | 氣缸墊圈  | 丁腈橡膠                           |       | 15 | 墊片    | 丁腈橡膠                           |    |
| 7  | 缸管    | 鋁合金                            | 硬質耐酸鋁 | 16 | 護蓋    | 鋼                              | 鍍鋅 |
| 8  | 緩衝橡膠  | 聚氨酯橡膠                          |       | 17 | 固定墊片  | 鋼+丁腈橡膠                         |    |
| 9  | 活塞R   | φ20~φ40: 鋁合金<br>φ50、φ63: 鋁合金壓鑄 |       | 18 | 內六角螺栓 | 合金鋼                            | 染黑 |
|    |       |                                |       | 19 | 六角螺帽  | 鋼                              | 鍍鎳 |

註1: 銅離子防止處理規格所採用的材質為含油鑄鐵製軸承。

## 消耗性零件一覽表

| 氣缸內徑 (mm) | 套件編號       | 消耗性零件編號      |
|-----------|------------|--------------|
| φ20       | SCM-R-20DK | 3 6 10 15 17 |
| φ25       | SCM-R-25DK |              |
| φ32       | SCM-R-32DK |              |
| φ40       | SCM-R-40DK |              |
| φ50       | SCM-R-50DK |              |
| φ63       | SCM-R-63DK |              |

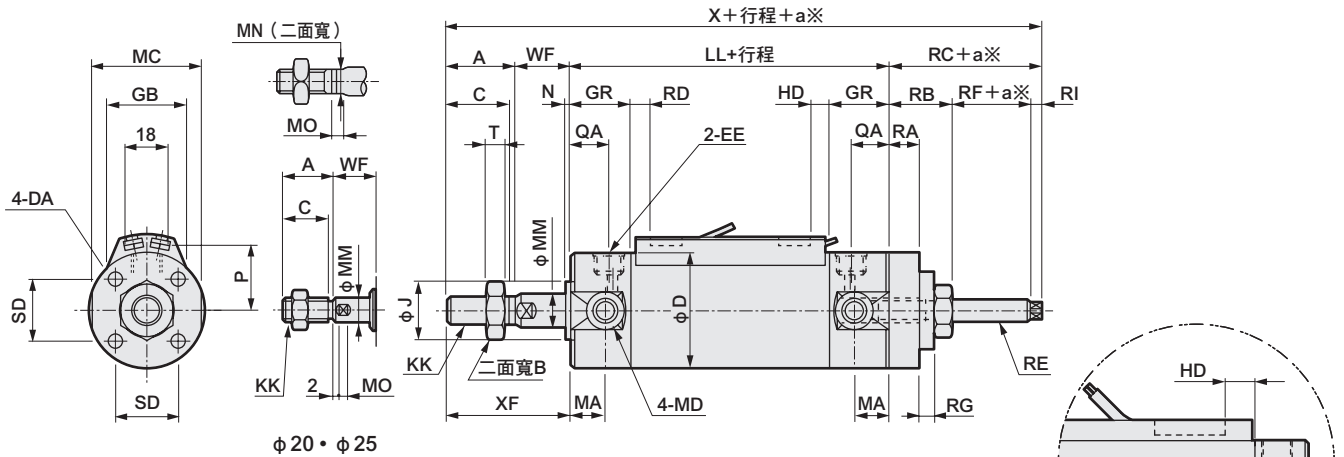
註1: 訂購時請指定套件編號。

## 外形尺寸圖

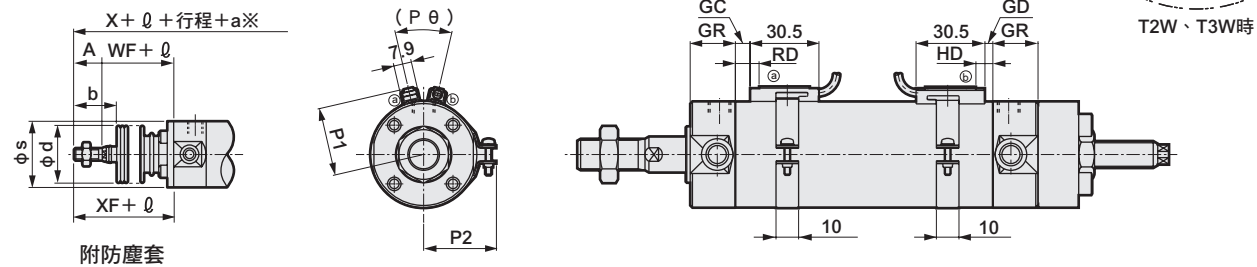


● 複動、行程調整型 (引入)

● 開關安裝方式：導軌方式



● 開關安裝方式：綁帶方式



※：a為調整行程

註1：雙色顯示方式、斷電延遲式、交流磁場用、T1H/V、T8H/V開關的RD、HD、突出尺寸等，請參閱第329頁。

| 記號  | 基本型 (00) 基本尺寸 |    |      |    |         |       |    |    |          |    |    |    |     |    |    |     |   |    |      |    |    |       |
|-----|---------------|----|------|----|---------|-------|----|----|----------|----|----|----|-----|----|----|-----|---|----|------|----|----|-------|
|     | A             | B  | C    | D  | DA      | EE    | GR | J  | KK       | LL | MA | MC | MD  | MM | MN | MO  | N | QA | SD   | T  | WF | X     |
| φ20 | 18            | 13 | 15.5 | 26 | M4深度6.5 | Rc1/8 | 19 | 12 | M8       | 71 | 11 | 24 | M5  | 8  | 6  | 4   | 2 | 12 | 14   | 5  | 17 | 128.5 |
| φ25 | 22            | 17 | 19.5 | 31 | M5深度6.5 | Rc1/8 | 19 | 14 | M10×1.25 | 71 | 11 | 29 | M6  | 10 | 8  | 5   | 2 | 12 | 16.5 | 6  | 18 | 141   |
| φ32 | 22            | 17 | 19.5 | 38 | M5深度7.5 | Rc1/8 | 19 | 18 | M10×1.25 | 73 | 11 | 36 | M8  | 12 | 10 | 5.5 | 2 | 12 | 20   | 6  | 18 | 140   |
| φ40 | 30            | 22 | 27   | 47 | M6深度12  | Rc1/8 | 20 | 25 | M14×1.5  | 79 | 12 | 44 | M10 | 16 | 14 | 6   | 2 | 13 | 26   | 8  | 20 | 169   |
| φ50 | 35            | 27 | 32   | 58 | M8深度16  | Rc1/4 | 25 | 30 | M18×1.5  | 93 | 13 | 55 | M12 | 20 | 17 | 8   | 2 | 15 | 32   | 11 | 23 | 198   |
| φ63 | 35            | 27 | 32   | 72 | M10深度16 | Rc1/4 | 25 | 32 | M18×1.5  | 93 | 13 | 69 | M14 | 20 | 17 | 8   | 2 | 15 | 38   | 11 | 23 | 198   |

| 記號  | 附防塵套 |    |    |      |         |    |     |    |      |    |      | 開關安裝方式：導軌方式   |      |      |       |       |         |       |       |         |
|-----|------|----|----|------|---------|----|-----|----|------|----|------|---------------|------|------|-------|-------|---------|-------|-------|---------|
|     | XF   | RA | RB | RC   | RE      | RI | RF  | RG | b    | d  | s    | φ             | P    | GB   | HD    |       |         | RD    |       |         |
|     |      |    |    |      |         |    |     |    |      |    |      |               |      |      | T0/T5 | T2/T3 | T2W/T3W | T0/T5 | T2/T3 | T2W/T3W |
| φ20 | 35   | 8  | 16 | 22.5 | M6      | 4  | 2.5 | 4  | 30   | 30 | 25.7 | (行程/3)+18.5   | 19.5 | 23   | 3.0   | 6.5   | 8.5     | 7.5   | 7.5   | 9.5     |
| φ25 | 40   | 10 | 20 | 30   | M8      | 4  | 6   | 5  | 35   | 30 | 30.7 | (行程/3)+20.5   | 22   | 24.4 | 2.0   | 5.5   | 7.5     | 8.5   | 8.5   | 10.5    |
| φ32 | 40   | 10 | 20 | 27   | M8      | 4  | 3   | 5  | 31.5 | 35 | 37.7 | (行程/3)+19     | 25.5 | 25   | 3.0   | 6.5   | 8.5     | 9.5   | 9.5   | 11.5    |
| φ40 | 50   | 18 | 32 | 40   | M12×1.5 | 5  | 3   | 6  | 40   | 35 | 46.7 | (行程/3)+18.5   | 30   | 25.7 | 5.0   | 8.5   | 10.5    | 11.5  | 11.5  | 13.5    |
| φ50 | 58   | 20 | 37 | 47   | M16×1.5 | 7  | 3   | 8  | 46   | 40 | 57.7 | (行程/3.6)+18.5 | 35.5 | 26.2 | 7.5   | 11.0  | 13.0    | 13.0  | 13.0  | 15.0    |
| φ63 | 58   | 20 | 37 | 47   | M16×1.5 | 7  | 3   | 10 | 46   | 40 | 71.7 | (行程/3.6)+18.5 | 42.5 | 26.5 | 7.5   | 11.0  | 13.0    | 13.0  | 13.0  | 15.0    |

| 記號  | 開關安裝方式：綁帶方式 |       |         |       |       |         |       |       |         |       |       |         |      |      |    |       |
|-----|-------------|-------|---------|-------|-------|---------|-------|-------|---------|-------|-------|---------|------|------|----|-------|
|     | GC          |       |         | GD    |       |         | HD    |       |         | RD    |       |         | P1   | P2   | P3 | Pθ    |
|     | T0/T5       | T2/T3 | T2W/T3W | T0/T5 | T2/T3 | T2W/T3W | T0/T5 | T2/T3 | T2W/T3W | T0/T5 | T2/T3 | T2W/T3W |      |      |    |       |
| φ20 | 3.5         | 3.5   | 5.5     | 2.5   | 2.5   | 4.5     | 6.5   | 6.5   | 8.5     | 7.5   | 7.5   | 9.5     | 19.6 | 21.5 | 14 | (38°) |
| φ25 | 4.5         | 4.5   | 6.5     | 1.5   | 1.5   | 3.5     | 5.5   | 5.5   | 7.5     | 8.5   | 8.5   | 10.5    | 22.1 | 23.9 | 14 | (34°) |
| φ32 | 5.5         | 5.5   | 7.5     | 2.5   | 2.5   | 4.5     | 6.5   | 6.5   | 8.5     | 9.5   | 9.5   | 11.5    | 25.6 | 27.6 | 16 | (30°) |
| φ40 | 7.5         | 7.5   | 9.5     | 4.5   | 4.5   | 6.5     | 8.5   | 8.5   | 10.5    | 11.5  | 11.5  | 13.5    | 30.2 | 32.1 | 16 | (26°) |
| φ50 | 9.0         | 9.0   | 11.0    | 7.0   | 7.0   | 9.0     | 11.0  | 11.0  | 13.0    | 13.0  | 13.0  | 15.0    | 35.7 | 37.4 | 16 | (22°) |
| φ63 | 9.0         | 9.0   | 11.0    | 7.0   | 7.0   | 9.0     | 11.0  | 11.0  | 13.0    | 13.0  | 13.0  | 15.0    | 42.7 | 44.4 | 16 | (20°) |

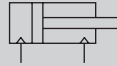
※各安裝型式的安裝尺寸與SCM (複動型) 相同。請參閱第226~237頁。  
 ※附屬品的外形尺寸圖請參閱第238、239頁。

微型氣缸 複動、耐熱型

# SCM-T Series

● 氣缸內徑：φ 20、φ 25、φ 32、φ 40  
φ 50、φ 63、φ 80、φ 100

JIS記號



## 規格

| 項目       |       | SCM-T                       |      |                   |   |       |       |       |       |
|----------|-------|-----------------------------|------|-------------------|---|-------|-------|-------|-------|
| 氣缸內徑     | mm    | φ 20                        | φ 25 | φ 32              | φ 40                                    | φ 50  | φ 63  | φ 80  | φ 100 |
| 動作方式     |       | 複動、耐熱型                      |      |                   |   |       |       |       |       |
| 使用流體     |       | 壓縮空氣                        |      |                   |   |       |       |       |       |
| 最高使用壓力   | MPa   | 1.0                         |      |                   |   |       |       |       |       |
| 最低使用壓力   | MPa   | 0.1                         |      |                   |   | 0.05  |       |       |       |
| 耐壓力      | MPa   | 1.6                         |      |                   |   |       |       |       |       |
| 環境溫度     | °C    | 5~120                       |      |                   |   |       |       |       |       |
| 連接口徑     |       | Rc1/8                       |      |                   |   | Rc1/4 | Rc3/8 | Rc1/2 |       |
| 行程容許差    | mm    | +1.8<br>0 (~1000)           |      | +1.8<br>0 (~1500) | +1.4<br>0 (~1000)、<br>+1.8<br>0 (~1500) |       |       |       |       |
| 使用活塞速度   | mm/s  | 30~1000 (使用時不得超過吸收能量的容許範圍。) |      |                   |   |       |       |       |       |
| 緩衝       |       | 橡膠緩衝                        |      |                   |   | 空氣緩衝  |       |       |       |
| 給油       | 註1    | 不可                          |      |                   |   |       |       |       |       |
| 容許吸收能量 J | 附橡膠緩衝 | 0.1                         | 0.2  | 0.5               | 0.9                                     | —     | —     | —     | —     |
|          | 附空氣緩衝 | —                           | —    | —                 | —                                       | 8.0   | 14.4  | 25.4  | 45.6  |
|          | 無緩衝   | —                           | —    | —                 | —                                       | 0.057 | 0.057 | 0.112 | 0.153 |

註1：請定期重新塗抹耐熱潤滑油。

註2：無緩衝型之吸收能量請參閱卷尾第68頁。

註3：容許吸收能量為「無緩衝」，表示的是選擇單側空氣緩衝時未指示側（「R」→頭蓋側、「H」→活塞桿側）的容許吸收能量。

註4：無緩衝時，將無法吸收外部負載所產生的較大能量。請於外部裝設緩衝裝置。

## 行程

| 氣缸內徑 (mm) | 標準行程 (mm)                              | 最大行程 (mm) | 最小行程 (mm) |
|-----------|--|-----------|-----------|
| φ 20      | 25、50、75<br>100、125、150<br>200、250、300 | 1000      | 10        |
| φ 25      |  |           |           |
| φ 32      |  |           |           |
| φ 40      |  |           |           |
| φ 50      | 1500                                   | 1500      |           |
| φ 63      |  |           |           |
| φ 80      |  |           |           |
| φ 100     |  |           |           |

註1：中間行程的製作規格間距為1mm。



### 氣缸重量

(單位：kg)

| 項目、安裝型式 | 行程 (S) = 0mm 時的產品重量 |       |      |      |      | S = 10mm 時的累計重量 |
|---------|---------------------|-------|------|------|------|-----------------|
|         | 基本型                 | 軸向腳架型 | 法蘭型  | 吊耳型  | 耳軸型  |                 |
| φ 20    | 0.10                | 0.21  | 0.13 | 0.15 | 0.11 | 0.010           |
| φ 25    | 0.17                | 0.30  | 0.21 | 0.25 | 0.19 | 0.014           |
| φ 32    | 0.25                | 0.41  | 0.31 | 0.40 | 0.28 | 0.018           |
| φ 40    | 0.40                | 0.62  | 0.48 | 0.63 | 0.45 | 0.030           |
| φ 50    | 0.75                | 1.23  | 1.09 | 1.15 | 0.89 | 0.044           |
| φ 63    | 1.05                | 1.77  | 1.55 | 1.73 | 1.19 | 0.052           |
| φ 80    | 2.02                | 2.98  | 2.73 | 2.73 | -    | 0.070           |
| φ 100   | 3.14                | 4.89  | 4.49 | 4.42 | -    | 0.098           |

|                            |                |   |
|----------------------------|----------------|---|
| (範例) SCM-T-LB-40-100 的產品重量 | S=0mm 時的產品重量   | 0.62kg  |
|                            | S=100mm 時的累計重量 | $0.030 \times \frac{100}{10} = 0.30\text{kg}$   |
|                            | 產品重量           | $0.62\text{kg} + 0.30\text{kg} = 0.92\text{kg}$ |

### 理論推力表

(單位：N)

| 氣缸內徑 (mm) | 動作方向 | 使用壓力 MPa           |                    |                    |                    |                    |                    |                    |                    |                    |                    |                    |
|-----------|------|--------------------|--------------------|--------------------|--------------------|--------------------|--------------------|--------------------|--------------------|--------------------|--------------------|--------------------|
|           |      | 0.1                | 0.15               | 0.2                | 0.3                | 0.4                | 0.5                | 0.6                | 0.7                | 0.8                | 0.9                | 1.0                |
| φ 20      | Push | 31.4               | 47.1               | 62.8               | 94.2               | $1.26 \times 10^2$ | $1.57 \times 10^2$ | $1.88 \times 10^2$ | $2.20 \times 10^2$ | $2.51 \times 10^2$ | $2.83 \times 10^2$ | $3.14 \times 10^2$ |
|           | Pull | 26.4               | 39.6               | 52.8               | 79.2               | $1.06 \times 10^2$ | $1.32 \times 10^2$ | $1.58 \times 10^2$ | $1.85 \times 10^2$ | $2.11 \times 10^2$ | $2.38 \times 10^2$ | $2.64 \times 10^2$ |
| φ 25      | Push | 49.1               | 73.6               | 98.2               | $1.47 \times 10^2$ | $1.96 \times 10^2$ | $2.45 \times 10^2$ | $2.95 \times 10^2$ | $3.44 \times 10^2$ | $3.93 \times 10^2$ | $4.42 \times 10^2$ | $4.91 \times 10^2$ |
|           | Pull | 41.2               | 61.9               | 82.5               | $1.24 \times 10^2$ | $1.65 \times 10^2$ | $2.06 \times 10^2$ | $2.47 \times 10^2$ | $2.89 \times 10^2$ | $3.30 \times 10^2$ | $3.71 \times 10^2$ | $4.12 \times 10^2$ |
| φ 32      | Push | 80.4               | $1.21 \times 10^2$ | $1.61 \times 10^2$ | $2.41 \times 10^2$ | $3.22 \times 10^2$ | $4.02 \times 10^2$ | $4.83 \times 10^2$ | $5.63 \times 10^2$ | $6.43 \times 10^2$ | $7.24 \times 10^2$ | $8.04 \times 10^2$ |
|           | Pull | 69.1               | $1.04 \times 10^2$ | $1.38 \times 10^2$ | $2.07 \times 10^2$ | $2.76 \times 10^2$ | $3.46 \times 10^2$ | $4.15 \times 10^2$ | $4.84 \times 10^2$ | $5.53 \times 10^2$ | $6.22 \times 10^2$ | $6.91 \times 10^2$ |
| φ 40      | Push | $1.26 \times 10^2$ | $1.88 \times 10^2$ | $2.51 \times 10^2$ | $3.77 \times 10^2$ | $5.03 \times 10^2$ | $6.28 \times 10^2$ | $7.54 \times 10^2$ | $8.80 \times 10^2$ | $1.01 \times 10^3$ | $1.13 \times 10^3$ | $1.26 \times 10^3$ |
|           | Pull | $1.06 \times 10^2$ | $1.58 \times 10^2$ | $2.11 \times 10^2$ | $3.17 \times 10^2$ | $4.22 \times 10^2$ | $5.28 \times 10^2$ | $6.33 \times 10^2$ | $7.39 \times 10^2$ | $8.44 \times 10^2$ | $9.50 \times 10^2$ | $1.06 \times 10^3$ |
| φ 50      | Push | $1.96 \times 10^2$ | $2.95 \times 10^2$ | $3.93 \times 10^2$ | $5.89 \times 10^2$ | $7.85 \times 10^2$ | $9.82 \times 10^2$ | $1.18 \times 10^3$ | $1.37 \times 10^3$ | $1.57 \times 10^3$ | $1.77 \times 10^3$ | $1.96 \times 10^3$ |
|           | Pull | $1.65 \times 10^2$ | $2.47 \times 10^2$ | $3.30 \times 10^2$ | $4.95 \times 10^2$ | $6.60 \times 10^2$ | $8.25 \times 10^2$ | $9.90 \times 10^2$ | $1.15 \times 10^3$ | $1.32 \times 10^3$ | $1.48 \times 10^3$ | $1.65 \times 10^3$ |
| φ 63      | Push | $3.12 \times 10^2$ | $4.68 \times 10^2$ | $6.23 \times 10^2$ | $9.35 \times 10^2$ | $1.25 \times 10^3$ | $1.56 \times 10^3$ | $1.87 \times 10^3$ | $2.18 \times 10^3$ | $2.49 \times 10^3$ | $2.81 \times 10^3$ | $3.12 \times 10^3$ |
|           | Pull | $2.80 \times 10^2$ | $4.20 \times 10^2$ | $5.61 \times 10^2$ | $8.41 \times 10^2$ | $1.12 \times 10^3$ | $1.40 \times 10^3$ | $1.68 \times 10^3$ | $1.96 \times 10^3$ | $2.24 \times 10^3$ | $2.52 \times 10^3$ | $2.80 \times 10^3$ |
| φ 80      | Push | $5.03 \times 10^2$ | $7.54 \times 10^2$ | $1.01 \times 10^3$ | $1.51 \times 10^3$ | $2.01 \times 10^3$ | $2.51 \times 10^3$ | $3.02 \times 10^3$ | $3.52 \times 10^3$ | $4.02 \times 10^3$ | $4.52 \times 10^3$ | $5.03 \times 10^3$ |
|           | Pull | $4.54 \times 10^2$ | $6.80 \times 10^2$ | $9.07 \times 10^2$ | $1.36 \times 10^3$ | $1.81 \times 10^3$ | $2.27 \times 10^3$ | $2.72 \times 10^3$ | $3.17 \times 10^3$ | $3.63 \times 10^3$ | $4.08 \times 10^3$ | $4.54 \times 10^3$ |
| φ 100     | Push | $7.85 \times 10^2$ | $1.18 \times 10^3$ | $1.57 \times 10^3$ | $2.36 \times 10^3$ | $3.14 \times 10^3$ | $3.93 \times 10^3$ | $4.71 \times 10^3$ | $5.50 \times 10^3$ | $6.28 \times 10^3$ | $7.07 \times 10^3$ | $7.85 \times 10^3$ |
|           | Pull | $7.15 \times 10^2$ | $1.07 \times 10^3$ | $1.43 \times 10^3$ | $2.14 \times 10^3$ | $2.86 \times 10^3$ | $3.57 \times 10^3$ | $4.29 \times 10^3$ | $5.00 \times 10^3$ | $5.72 \times 10^3$ | $6.43 \times 10^3$ | $7.15 \times 10^3$ |

### 外形尺寸圖

與標準、單側活塞桿型尺寸相同。請參閱第226~237頁。

SCP※3

CMK2

CMA2

SCM

SCG

SCA2

SCS2

CKV2

CAV2・COV/PIN2

SSD2

SSG

SSD

CAT

MDC2

MVC

SMG

MSD・MSDG

FC※

STK

SRL3

SRG3

SRM3

SRT3

MRL2

MRG2

SM-25

緩衝器

FJ

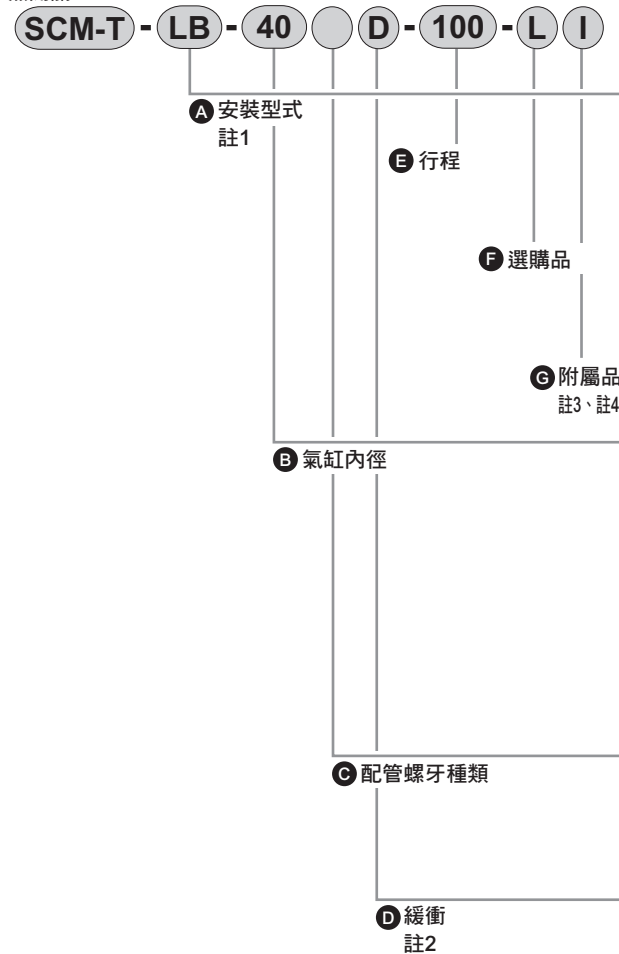
FK

調速閥

卷尾

## 型號標示方法

無開關



### ⚠ 選定型號時的注意事項

註1：安裝固定架將添附於產品內一併出貨。

註2：φ20~φ40無法製作B、R、H，僅能製作D。

φ50~φ100無法製作D，僅能製作B、R、H。

註3：有關活塞桿前端形狀製作規格，請參閱卷尾第85頁。

註4：無法同時選定「I」和「Y」。

### 〈型號標示範例〉

### SCM-T-LB-40D-100-LI

機型：微型氣缸 複動、耐熱型

- A 安裝型式：軸向腳架型
- B 氣缸內徑：φ40mm
- C 配管螺牙種類：Rc螺牙
- D 緩衝：附兩側橡膠緩衝
- E 行程：100mm
- F 選購品：防塵套材質、最高環境溫度250°C用
- G 附屬品：一山關節

## 安裝固定架型號標示方法

| 氣缸內徑 (mm)   | φ20       | φ25       | φ32       | φ40       | φ50       | φ63       | φ80       | φ100       |
|-------------|-----------|-----------|-----------|-----------|-----------|-----------|-----------|------------|
| 安裝固定架       |           |           |           |           |           |           |           |            |
| 腳架 (LB)     | SCM-LB-20 | SCM-LB-25 | SCM-LB-32 | SCM-LB-40 | SCM-LB-50 | SCM-LB-63 | SCM-LB-80 | SCM-LB-100 |
| 法蘭 (FA/FB)  | SCM-FA-20 | SCM-FA-25 | SCM-FA-32 | SCM-FA-40 | SCM-FA-50 | SCM-FA-63 | SCM-FA-80 | SCM-FA-100 |
| 一山吊耳 (CA)   | SCM-CA-20 | SCM-CA-25 | SCM-CA-32 | SCM-CA-40 | SCM-CA-50 | SCM-CA-63 | -         | -          |
| 二山吊耳 (CB)   | -         | -         | -         | -         | -         | -         | SCM-CB-80 | SCM-CB-100 |
| 耳軸型 (TA/TB) | SCM-TA-20 | SCM-TA-25 | SCM-TA-32 | SCM-TA-40 | SCM-TA-50 | SCM-TA-63 | -         | -          |

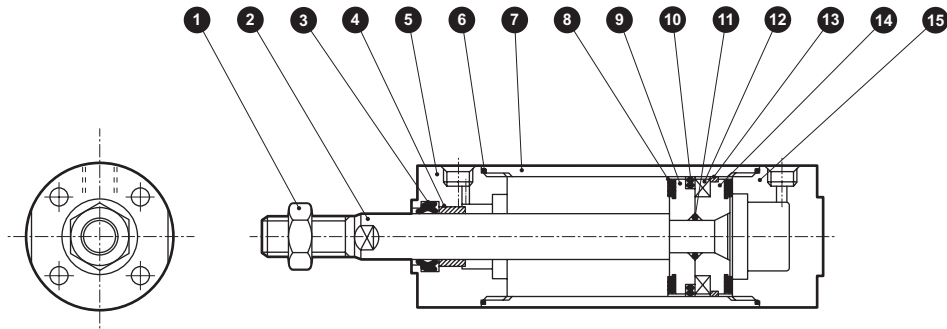
註1：各安裝固定架皆有添附安裝用螺栓。

註2：腳架型安裝固定架為每組2個。

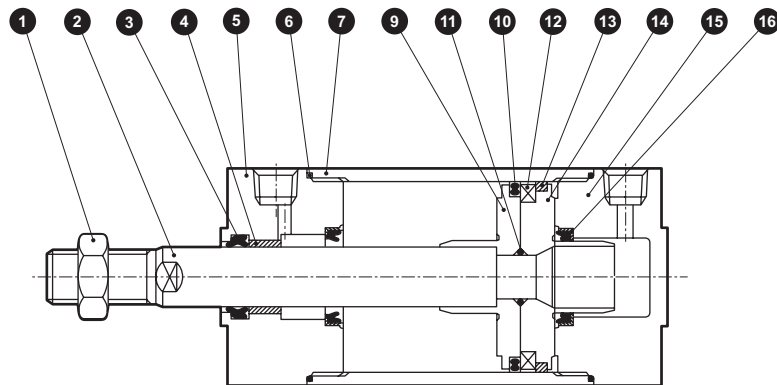
| 記號                 | 內容              |             |    |    |         |    |        |        |     |
|--------------------|-----------------|-------------|----|----|---------|----|--------|--------|-----|
| <b>A 安裝型式</b>      |                 |             |    |    |         |    |        |        |     |
| 氣缸內徑 (φ)           |                 | 20          | 25 | 32 | 40      | 50 | 63     | 80     | 100 |
| 00                 | 基本型             | ●           | ●  | ●  | ●       | ●  | ●      | ●      | ●   |
| LB                 | 軸向腳架型           | ●           | ●  | ●  | ●       | ●  | ●      | ●      | ●   |
| FA                 | 活塞桿側法蘭型         | ●           | ●  | ●  | ●       | ●  | ●      | ●      | ●   |
| FB                 | 頭蓋側法蘭型          | ●           | ●  | ●  | ●       | ●  | ●      | ●      | ●   |
| CA                 | 一山吊耳型           | ●           | ●  | ●  | ●       | ●  |        |        |     |
| CB                 | 二山吊耳型 (添附插銷及止環) |             |    |    |         |    |        | ●      | ●   |
| TA                 | 活塞桿側耳軸型         | ●           | ●  | ●  | ●       | ●  |        |        |     |
| TB                 | 頭蓋側耳軸型          | ●           | ●  | ●  | ●       | ●  |        |        |     |
| <b>B 氣缸內徑 (mm)</b> |                 |             |    |    |         |    |        |        |     |
| 20                 | φ20             |             |    |    |         |    |        |        |     |
| 25                 | φ25             |             |    |    |         |    |        |        |     |
| 32                 | φ32             |             |    |    |         |    |        |        |     |
| 40                 | φ40             |             |    |    |         |    |        |        |     |
| 50                 | φ50             |             |    |    |         |    |        |        |     |
| 63                 | φ63             |             |    |    |         |    |        |        |     |
| 80                 | φ80             |             |    |    |         |    |        |        |     |
| 100                | φ100            |             |    |    |         |    |        |        |     |
| <b>C 配管螺牙種類</b>    |                 |             |    |    |         |    |        |        |     |
| 無記號                | Rc螺牙            |             |    |    |         |    |        |        |     |
| N                  | NPT螺牙 (接單生產)    | 附空氣緩衝為φ32以上 |    |    |         |    |        |        |     |
| G                  | G螺牙 (接單生產)      | 附空氣緩衝為φ32以上 |    |    |         |    |        |        |     |
| <b>D 緩衝</b>        |                 |             |    |    |         |    |        |        |     |
| 氣缸內徑 (φ)           |                 | 20          | 25 | 32 | 40      | 50 | 63     | 80     | 100 |
| B                  | 附兩側空氣緩衝         |             |    |    |         | ●  | ●      | ●      | ●   |
| R                  | 活塞桿側附空氣緩衝       |             |    |    |         | ●  | ●      | ●      | ●   |
| H                  | 頭蓋側附空氣緩衝        |             |    |    |         | ●  | ●      | ●      | ●   |
| D                  | 附兩側橡膠緩衝         | ●           | ●  | ●  | ●       |    |        |        |     |
| <b>E 行程 (mm)</b>   |                 |             |    |    |         |    |        |        |     |
| 氣缸內徑               |                 | 行程          |    |    | 中間行程    |    |        |        |     |
| φ20~φ32            |                 | 10~1000     |    |    | 以1mm為單位 |    |        |        |     |
| φ40~φ100           |                 | 10~1500     |    |    |         |    |        |        |     |
| <b>F 選購品</b>       |                 |             |    |    |         |    |        |        |     |
|                    |                 |             |    |    |         |    | 最高環境溫度 | 瞬間最高溫度 |     |
| L                  | 防塵套材質、矽橡膠玻璃布    |             |    |    |         |    | 250°C  | 400°C  |     |
| M                  | 活塞桿材質 (不鏽鋼)     |             |    |    |         |    |        |        |     |
| <b>G 附屬品</b>       |                 |             |    |    |         |    |        |        |     |
| 氣缸內徑 (φ)           |                 | 20          | 25 | 32 | 40      | 50 | 63     | 80     | 100 |
| I                  | 一山關節            | ●           | ●  | ●  | ●       | ●  | ●      | ●      | ●   |
| Y                  | 二山關節 (添附插銷及止環)  | ●           | ●  | ●  | ●       | ●  | ●      | ●      | ●   |
| B1                 | 一山固定架           |             |    |    |         |    |        | ●      | ●   |
| B2                 | 二山固定架           | ●           | ●  | ●  | ●       | ●  |        |        |     |

## 內部結構及零件一覽表

● φ20~φ40 (附橡膠緩衝)



● φ50~φ100 (附空氣緩衝)



| 編號 | 零件名稱  | 材質                            | 備註    | 編號 | 零件名稱 | 材質                            | 備註          |
|----|-------|-------------------------------|-------|----|------|-------------------------------|-------------|
| 1  | 活塞桿螺帽 | 鋼                             | 鍍鏤    | 10 | 活塞墊圈 | 氟橡膠                           |             |
| 2  | 活塞桿   | φ20、φ25：不鏽鋼<br>φ32~φ100：鋼     | 工業用鍍鉻 | 11 | 活塞墊圈 | 氟橡膠                           |             |
| 3  | 活塞桿墊圈 | 氟橡膠                           |       | 12 | 活塞環  | φ20~φ32：鋁合金<br>φ40~φ100：鋼     | φ40~φ100：鍍鋅 |
| 4  | 軸套    | 含油軸承合金                        |       | 13 | 耐磨環  | 特殊樹脂                          |             |
| 5  | 活塞桿蓋  | 鋁合金 <sup>註1</sup>             | 烤漆    | 14 | 活塞H  | φ20~φ40：鋁合金<br>φ50~φ100：鋁合金壓鑄 |             |
| 6  | 氣缸墊圈  | 氟橡膠                           |       | 15 | 頭蓋   | 鋁合金 <sup>註1</sup>             | 烤漆          |
| 7  | 缸管    | 鋁合金                           | 硬質耐酸鋁 | 16 | 緩衝墊圈 | 氟橡膠、鋼                         |             |
| 8  | 緩衝橡膠  | 氟橡膠                           |       |    |      |                               |             |
| 9  | 活塞R   | φ20~φ40：鋁合金<br>φ50~φ100：鋁合金壓鑄 |       |    |      |                               |             |

註1：φ50、φ63的材質為鋁合金壓鑄。

## 消耗性零件一覽表

| 氣缸內徑 (mm) | 套件編號       | 消耗性零件編號     |
|-----------|------------|-------------|
| φ20       | SCM-T-20K  |             |
| φ25       | SCM-T-25K  |             |
| φ32       | SCM-T-32K  | 3 6 8 10 13 |
| φ40       | SCM-T-40K  |             |
| φ50       | SCM-T-50K  |             |
| φ63       | SCM-T-63K  | 3 6         |
| φ80       | SCM-T-80K  | 10 13 16    |
| φ100      | SCM-T-100K |             |

註1：訂購時請指定套件編號。

SCP※3

CMK2

CMA2

SCM

SCG

SCA2

SCS2

CKV2

CAV2・COV/PIN2

SSD2

SSG

SSD

CAT

MDC2

MVC

SMG

MSD・MSDG

FC※

STK

SRL3

SRG3

SRM3

SRT3

MRL2

MRG2

SM-25

緩衝器

FJ

FK

調速閥

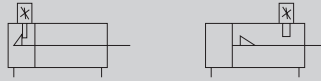
卷尾

微型氣缸 複動、防掉落型

# SCM-Q Series

- 氣缸內徑：φ 20、φ 25、φ 32、φ 40  
φ 50、φ 63、φ 80、φ 100

JIS記號



## 規格

| 項目       | SCM-Q                   |                            |      |                   |      |                   |       |                   |       |
|----------|-------------------------|----------------------------|------|-------------------|------|-------------------|-------|-------------------|-------|
| 氣缸內徑     | mm                      | φ 20                       | φ 25 | φ 32              | φ 40 | φ 50              | φ 63  | φ 80              | φ 100 |
| 動作方式     | 複動、防掉落型                 |                            |      |                   |      |                   |       |                   |       |
| 使用流體     | 壓縮空氣                    |                            |      |                   |      |                   |       |                   |       |
| 最高使用壓力   | MPa                     | 1.0                        |      |                   |      |                   |       |                   |       |
| 最低使用壓力   | MPa                     | 0.15                       |      |                   | 0.1  |                   |       |                   |       |
| 耐壓力      | MPa                     | 1.6                        |      |                   |      |                   |       |                   |       |
| 環境溫度     | °C                      | -10~60 (避免結凍)              |      |                   |      |                   |       |                   |       |
| 連接口徑     |                         | M5                         |      | Rc1/8             |      | Rc1/4             |       | Rc3/8             | Rc1/2 |
| 行程容許差    | mm                      | +1.4<br>0 (~1000)          |      | +1.4<br>0 (~1500) |      | +1.4<br>0 (~1000) |       | +1.8<br>0 (~1500) |       |
| 使用活塞速度   | mm/s                    | 30~500 (使用時不得超過吸收能量的容許範圍。) |      |                   |      |                   |       |                   |       |
| 緩衝       | 空氣緩衝                    |                            |      |                   |      |                   |       |                   |       |
| 空氣緩衝有效長度 | mm                      | 8.1                        | 8.1  | 8.6               | 8.6  | 13.4              | 13.4  | 15.4              | 15.4  |
| 給油       | 不要 (給油時請使用渦輪機油ISO VG32) |                            |      |                   |      |                   |       |                   |       |
| 防掉落裝置    | 頭蓋側或活塞桿側                |                            |      |                   |      |                   |       |                   |       |
| 保持力      | N                       | 最大推力×0.7                   |      |                   |      |                   |       |                   |       |
| 容許吸收能量 J | 附緩衝                     | 0.8                        | 1.2  | 2.5               | 3.7  | 8.0               | 14.4  | 25.4              | 45.6  |
|          | 無緩衝                     | -                          | -    | -                 | -    | 0.057             | 0.057 | 0.112             | 0.153 |

註1：容許吸收能量為「無緩衝」，表示的是選擇單側空氣緩衝時未指示側（「R」頭蓋側、「H」活塞桿側）的容許吸收能量。  
註2：無緩衝時，將無法吸收外部負載所產生的較大能量。請於外部裝設緩衝裝置。

## 行程

| 氣缸內徑 (mm) | 標準行程 (mm)  | 最大行程 (mm) | 最小行程 (mm) |
|-----------|--|-----------|-----------|
| φ 20      | 25 • 50 • 75<br>100 • 125 • 150<br>200 • 250 • 300 | 1000      | 10        |
| φ 25      |  |           |           |
| φ 32      |  |           |           |
| φ 40      |  |           |           |
| φ 50      | 1500   | 1500      | 10        |
| φ 63      |  |           |           |
| φ 80      |  |           |           |
| φ 100     |  |           |           |

註1：中間行程的製作規格間距為1mm。

## 開關安裝數量及最小行程 (mm)

● 開關安裝方式：導軌方式

| 開關數量<br>氣缸內徑<br>(mm) | 1     |         |      |     | 2     |         |      |     | 3     |         |      |     | 4     |         |      |     | 5     |         |      |     |
|----------------------|-------|---------|------|-----|-------|---------|------|-----|-------|---------|------|-----|-------|---------|------|-----|-------|---------|------|-----|
|                      | 無接點   |         |      | 有接點 | 無接點   |         |      | 有接點 | 無接點   |         |      | 有接點 | 無接點   |         |      | 有接點 | 無接點   |         |      | 有接點 |
|                      | T2,T3 | T2W,T3W | T×Y※ |     | T2,T3 | T2W,T3W | T×Y※ |     | T2,T3 | T2W,T3W | T×Y※ |     | T2,T3 | T2W,T3W | T×Y※ |     | T2,T3 | T2W,T3W | T×Y※ |     |
| φ 20                 | 10    |         |      |     | 25    |         |      |     | 50    | 70      | 70   | 55  | 55    | 70      | 70   | 55  | 75    | 110     | 110  | 90  |
| φ 25                 | 10    |         |      |     | 25    |         |      |     | 50    | 70      | 70   | 55  | 55    | 70      | 70   | 55  | 75    | 110     | 110  | 90  |
| φ 32                 | 10    |         |      |     | 25    |         |      |     | 50    | 70      | 70   | 55  | 55    | 70      | 70   | 55  | 75    | 110     | 110  | 90  |
| φ 40                 | 10    |         |      |     | 25    |         |      |     | 50    | 70      | 70   | 55  | 55    | 70      | 70   | 55  | 75    | 110     | 110  | 90  |
| φ 50                 | 10    |         |      |     | 25    |         |      |     | 50    | 65      | 65   | 55  | 55    | 65      | 65   | 55  | 75    | 110     | 110  | 90  |
| φ 63                 | 10    |         |      |     | 25    |         |      |     | 50    | 65      | 65   | 55  | 55    | 65      | 65   | 55  | 75    | 110     | 110  | 90  |
| φ 80                 | 10    |         |      |     | 25    |         |      |     | 50    | 65      | 65   | 55  | 55    | 65      | 65   | 55  | 75    | 110     | 110  | 90  |
| φ 100                | 10    |         |      |     | 25    |         |      |     | 50    | 65      | 65   | 55  | 55    | 65      | 65   | 55  | 75    | 110     | 110  | 90  |

● 開關安裝方式：綁帶方式

| 開關數量<br>氣缸內徑<br>(mm) | 1     |         |      |     | 2     |         |      |     | 3     |         |      |     | 4     |         |      |     | 5     |         |      |     |
|----------------------|-------|---------|------|-----|-------|---------|------|-----|-------|---------|------|-----|-------|---------|------|-----|-------|---------|------|-----|
|                      | 無接點   |         |      | 有接點 | 無接點   |         |      | 有接點 | 無接點   |         |      | 有接點 | 無接點   |         |      | 有接點 | 無接點   |         |      | 有接點 |
|                      | T2,T3 | T2W,T3W | T×Y※ |     | T2,T3 | T2W,T3W | T×Y※ |     | T2,T3 | T2W,T3W | T×Y※ |     | T2,T3 | T2W,T3W | T×Y※ |     | T2,T3 | T2W,T3W | T×Y※ |     |
| φ 20                 | 10    |         |      |     | 25    | 30      | 35   | 25  | 50    | 55      | 55   | 50  | 75    | 75      | 80   | 70  | 95    | 100     | 100  | 95  |
| φ 25                 | 10    |         |      |     | 25    | 30      | 35   | 25  | 50    | 55      | 55   | 50  | 75    | 75      | 80   | 70  | 95    | 100     | 100  | 95  |
| φ 32                 | 10    |         |      |     | 25    | 30      | 35   | 25  | 50    | 55      | 55   | 50  | 75    | 75      | 80   | 70  | 95    | 100     | 100  | 95  |
| φ 40                 | 10    |         |      |     | 25    | 30      | 35   | 25  | 50    | 55      | 55   | 50  | 75    | 75      | 80   | 70  | 95    | 100     | 100  | 95  |
| φ 50                 | 10    |         |      |     | 25    | 30      | 35   | 25  | 50    | 55      | 55   | 50  | 75    | 75      | 80   | 70  | 95    | 100     | 100  | 95  |
| φ 63                 | 10    |         |      |     | 25    | 30      | 35   | 25  | 50    | 55      | 55   | 50  | 75    | 75      | 80   | 70  | 95    | 100     | 100  | 95  |
| φ 83                 | 10    |         |      |     | 25    | 30      | 35   | 25  | 50    | 55      | 55   | 50  | 75    | 75      | 80   | 70  | 95    | 100     | 100  | 95  |
| φ 100                | 10    |         |      |     | 25    | 30      | 35   | 25  | 50    | 55      | 55   | 50  | 75    | 75      | 80   | 70  | 95    | 100     | 100  | 95  |

註1：由於附1個開關且行程10mm以上未滿25mm的規格，其開關導軌安裝位置會改變，因此無法製作安裝型式耳軸型。另外，安裝位置請參閱第329頁。

### 開關規格

#### ● 單色/雙色顯示方式

| 項目   | 無接點2線式                           |                            | 無接點2線式                      |                            |                            |                             | 無接點3線式                     |                             |                            |                            | 有接點2線式                     |                             |                                |            | 無接點2線式                  |        |        |           |
|------|----------------------------------|----------------------------|-----------------------------|----------------------------|----------------------------|-----------------------------|----------------------------|-----------------------------|----------------------------|----------------------------|----------------------------|-----------------------------|--------------------------------|------------|-------------------------|--------|--------|-----------|
|      | T1H・T1V                          | T2H・T2V・<br>T2JH・T2JV      | T2YH・<br>T2YV               | T2WH・<br>T2WV              | T3H・<br>T3V                | T3PH・T3PV<br>(接單生產)         | T3YH・<br>T3YV              | T3WH・<br>T3WV               | T0H・T0V                    | T5H・T5V                    | T8H・T8V                    |                             | T2YD                           |            |                         |        |        |           |
| 用途   | 可程式控制器<br>繼電器、小型電磁閥用             |                            | 可程式控制器專用                    |                            |                            |                             | 可程式控制器、繼電器用                |                             |                            |                            | 可程式控制器、<br>繼電器用            |                             | 可程式控制器、繼電器<br>IC選路(無顯示燈)、串聯連接用 |            | 可程式<br>控制器專用            |        |        |           |
| 輸出方式 | —                                |                            | NPN輸出                       |                            |                            |                             | PNP輸出                      |                             |                            |                            | —                          |                             |                                |            | —                       |        |        |           |
| 電源電壓 | —                                |                            | DC10~28V                    |                            |                            |                             | —                          |                             |                            |                            | —                          |                             |                                |            | —                       |        |        |           |
| 負載電壓 | AC85~265V                        |                            | DC10~30V                    |                            | DC24V±10%                  |                             | DC30V以下                    |                             |                            |                            | DC12/24V                   | AC100/110V                  | DC5/12/24V                     | AC100/110V | DC12/24V                | AC110V | AC220V | DC24V±10% |
| 負載電流 | 5~100mA                          |                            | 5~20mA (註2)                 |                            |                            |                             | 100mA以下                    |                             |                            |                            | 5~50mA                     | 7~20mA                      | 50mA以下                         | 20mA以下     | 5~50mA                  | 7~20mA | 7~10mA | 5~20mA    |
| 顯示燈  | LED<br>(ON時亮燈)                   | LED<br>(ON時亮燈)             | 紅色/綠色<br>LED<br>(ON時亮燈)     | 紅色/綠色<br>LED<br>(ON時亮燈)    | LED<br>(ON時亮燈)             | 黃色<br>LED<br>(ON時亮燈)        | 紅色/綠色<br>LED<br>(ON時亮燈)    | 紅色/綠色<br>LED<br>(ON時亮燈)     | LED<br>(ON時亮燈)             |                            | 無顯示燈                       |                             | LED<br>(ON時亮燈)                 |            | 紅色/綠色<br>LED<br>(ON時亮燈) |        |        |           |
| 漏電電流 | AC100V時電流小於1mA<br>AC200V時電流小於2mA |                            | 1mA以下                       |                            |                            |                             | 10µA以下                     |                             |                            |                            | 0mA                        |                             |                                |            | 1mA以下                   |        |        |           |
| 重量 g | 1m: 33<br>3m: 87<br>5m: 142      | 1m: 18<br>3m: 49<br>5m: 80 | 1m: 33<br>3m: 87<br>5m: 142 | 1m: 18<br>3m: 49<br>5m: 80 | 1m: 18<br>3m: 49<br>5m: 80 | 1m: 33<br>3m: 87<br>5m: 142 | 1m: 18<br>3m: 49<br>5m: 80 | 1m: 33<br>3m: 87<br>5m: 142 | 1m: 18<br>3m: 49<br>5m: 80 | 1m: 18<br>3m: 49<br>5m: 80 | 1m: 18<br>3m: 49<br>5m: 80 | 1m: 33<br>3m: 87<br>5m: 142 | 1m: 61<br>3m: 166<br>5m: 272   |            |                         |        |        |           |

註1: 其他開關規格, 請參閱卷尾第1頁。

註2: 上述負載電流的最大值: 20mA為溫度25°C時的數值。開關使用環境溫度若高於25°C, 電流將降至低於20mA。  
(溫度到達60°C時, 則電流為5~10mA。)

註3: T0/T5開關也可使用AC220V。關於使用條件, 請洽詢本公司。

註4: 交流磁場用開關(T2YD)於直流磁場環境下無法使用。

註5: 外形尺寸視開關型號而異。詳細內容請參閱卷尾第18頁。

### 氣缸重量

#### ● 活塞桿側防掉落裝置 (R)

(單位: kg)

| 項目、安裝型式   | 行程 (S) = 0mm 時的產品重量 |       |      |      |      | 開關重量<br>(每1個)      | S=10mm時<br>的累計重量 | S=10mm時的累計<br>重量(附導軌) | 1個開關的<br>綁帶重量 |
|-----------|---------------------|-------|------|------|------|--------------------|------------------|-----------------------|---------------|
|           | 基本型                 | 軸向腳架型 | 法蘭型  | 吊耳型  | 耳軸型  |                    |                  |                       |               |
| 氣缸內徑 (mm) |                     |       |      |      |      | 請參閱開關規格<br>內記載的重量。 |                  |                       |               |
| φ20       | 0.15                | 0.26  | 0.18 | 0.20 | 0.16 |                    | 0.010            | 0.012                 | 0.007         |
| φ25       | 0.24                | 0.37  | 0.28 | 0.32 | 0.26 |                    | 0.014            | 0.016                 | 0.007         |
| φ32       | 0.32                | 0.48  | 0.38 | 0.47 | 0.35 |                    | 0.018            | 0.020                 | 0.007         |
| φ40       | 0.64                | 0.86  | 0.72 | 0.87 | 0.69 |                    | 0.030            | 0.032                 | 0.007         |
| φ50       | 1.09                | 1.57  | 1.43 | 1.49 | 1.23 |                    | 0.044            | 0.046                 | 0.008         |
| φ63       | 1.49                | 2.21  | 1.99 | 2.17 | 1.63 |                    | 0.052            | 0.054                 | 0.009         |
| φ80       | 2.67                | 3.63  | 3.38 | 3.38 | —    |                    | 0.070            | 0.072                 | 0.010         |
| φ100      | 4.15                | 5.90  | 5.50 | 5.43 | —    |                    | 0.098            | 0.100                 | 0.010         |

#### ● 頭蓋側防掉落裝置 (H)

(單位: kg)

| 項目、安裝型式   | 行程 (S) = 0mm 時的產品重量 |       |      |      |      | 開關重量<br>(每1個)      | S=10mm時<br>的累計重量 | S=10mm時的累計<br>重量(附導軌) | 1個開關的<br>綁帶重量 |
|-----------|---------------------|-------|------|------|------|--------------------|------------------|-----------------------|---------------|
|           | 基本型                 | 軸向腳架型 | 法蘭型  | 吊耳型  | 耳軸型  |                    |                  |                       |               |
| 氣缸內徑 (mm) |                     |       |      |      |      | 請參閱開關規格<br>內記載的重量。 |                  |                       |               |
| φ20       | 0.15                | 0.26  | 0.18 | 0.20 | 0.16 |                    | 0.010            | 0.012                 | 0.007         |
| φ25       | 0.24                | 0.37  | 0.28 | 0.32 | 0.26 |                    | 0.014            | 0.016                 | 0.007         |
| φ32       | 0.35                | 0.51  | 0.41 | 0.50 | 0.38 |                    | 0.018            | 0.020                 | 0.007         |
| φ40       | 0.69                | 0.91  | 0.77 | 0.92 | 0.74 |                    | 0.030            | 0.032                 | 0.007         |
| φ50       | 1.19                | 1.67  | 1.53 | 1.59 | 1.33 |                    | 0.044            | 0.046                 | 0.008         |
| φ63       | 1.60                | 2.32  | 2.10 | 2.28 | 1.74 |                    | 0.052            | 0.054                 | 0.009         |
| φ80       | 2.86                | 3.82  | 3.57 | 3.57 | —    |                    | 0.070            | 0.072                 | 0.010         |
| φ100      | 4.30                | 6.05  | 5.65 | 5.58 | —    |                    | 0.098            | 0.100                 | 0.010         |

(範例) SCM-Q-LB-40B-100-R-T2H-D 的產品重量

- S=0mm時的產品重量 ..... 0.86kg
- S=100mm時的累計重量 .....  $0.032 \times \frac{100}{10} = 0.32\text{kg}$
- 2個開關的重量 ..... 0.036kg
- 產品重量 .....  $0.86\text{kg} + 0.32\text{kg} + 0.036\text{kg} = 1.216\text{kg}$

### 理論推力表

(單位: N)

| 氣缸內徑<br>(mm) | 動作方向 | 使用壓力 MPa           |                    |                    |                    |                    |                    |                    |                    |                    |                    |                    |
|--------------|------|--------------------|--------------------|--------------------|--------------------|--------------------|--------------------|--------------------|--------------------|--------------------|--------------------|--------------------|
|              |      | 0.1                | 0.15               | 0.2                | 0.3                | 0.4                | 0.5                | 0.6                | 0.7                | 0.8                | 0.9                | 1.0                |
| φ20          | Push | 31.4               | 47.1               | 62.8               | 94.2               | $1.26 \times 10^2$ | $1.57 \times 10^2$ | $1.88 \times 10^2$ | $2.20 \times 10^2$ | $2.51 \times 10^2$ | $2.83 \times 10^2$ | $3.14 \times 10^2$ |
|              | Pull | 26.4               | 39.6               | 52.8               | 79.2               | $1.06 \times 10^2$ | $1.32 \times 10^2$ | $1.58 \times 10^2$ | $1.85 \times 10^2$ | $2.11 \times 10^2$ | $2.38 \times 10^2$ | $2.64 \times 10^2$ |
| φ25          | Push | 49.1               | 73.6               | 98.2               | $1.47 \times 10^2$ | $1.96 \times 10^2$ | $2.45 \times 10^2$ | $2.95 \times 10^2$ | $3.44 \times 10^2$ | $3.93 \times 10^2$ | $4.42 \times 10^2$ | $4.91 \times 10^2$ |
|              | Pull | 41.2               | 61.9               | 82.5               | $1.24 \times 10^2$ | $1.65 \times 10^2$ | $2.06 \times 10^2$ | $2.47 \times 10^2$ | $2.89 \times 10^2$ | $3.30 \times 10^2$ | $3.71 \times 10^2$ | $4.12 \times 10^2$ |
| φ32          | Push | 80.4               | $1.21 \times 10^2$ | $1.61 \times 10^2$ | $2.41 \times 10^2$ | $3.22 \times 10^2$ | $4.02 \times 10^2$ | $4.83 \times 10^2$ | $5.63 \times 10^2$ | $6.43 \times 10^2$ | $7.24 \times 10^2$ | $8.04 \times 10^2$ |
|              | Pull | 69.1               | $1.04 \times 10^2$ | $1.38 \times 10^2$ | $2.07 \times 10^2$ | $2.76 \times 10^2$ | $3.46 \times 10^2$ | $4.15 \times 10^2$ | $4.84 \times 10^2$ | $5.53 \times 10^2$ | $6.22 \times 10^2$ | $6.91 \times 10^2$ |
| φ40          | Push | $1.26 \times 10^2$ | $1.88 \times 10^2$ | $2.51 \times 10^2$ | $3.77 \times 10^2$ | $5.03 \times 10^2$ | $6.28 \times 10^2$ | $7.54 \times 10^2$ | $8.80 \times 10^2$ | $1.01 \times 10^3$ | $1.13 \times 10^3$ | $1.26 \times 10^3$ |
|              | Pull | $1.06 \times 10^2$ | $1.58 \times 10^2$ | $2.11 \times 10^2$ | $3.17 \times 10^2$ | $4.22 \times 10^2$ | $5.28 \times 10^2$ | $6.33 \times 10^2$ | $7.39 \times 10^2$ | $8.44 \times 10^2$ | $9.50 \times 10^2$ | $1.06 \times 10^3$ |
| φ50          | Push | $1.96 \times 10^2$ | $2.95 \times 10^2$ | $3.93 \times 10^2$ | $5.89 \times 10^2$ | $7.85 \times 10^2$ | $9.82 \times 10^2$ | $1.18 \times 10^3$ | $1.37 \times 10^3$ | $1.57 \times 10^3$ | $1.77 \times 10^3$ | $1.96 \times 10^3$ |
|              | Pull | $1.65 \times 10^2$ | $2.47 \times 10^2$ | $3.30 \times 10^2$ | $4.95 \times 10^2$ | $6.60 \times 10^2$ | $8.25 \times 10^2$ | $9.90 \times 10^2$ | $1.15 \times 10^3$ | $1.32 \times 10^3$ | $1.48 \times 10^3$ | $1.65 \times 10^3$ |
| φ63          | Push | $3.12 \times 10^2$ | $4.68 \times 10^2$ | $6.23 \times 10^2$ | $9.35 \times 10^2$ | $1.25 \times 10^3$ | $1.56 \times 10^3$ | $1.87 \times 10^3$ | $2.18 \times 10^3$ | $2.49 \times 10^3$ | $2.81 \times 10^3$ | $3.12 \times 10^3$ |
|              | Pull | $2.80 \times 10^2$ | $4.20 \times 10^2$ | $5.61 \times 10^2$ | $8.41 \times 10^2$ | $1.12 \times 10^3$ | $1.40 \times 10^3$ | $1.68 \times 10^3$ | $1.96 \times 10^3$ | $2.24 \times 10^3$ | $2.52 \times 10^3$ | $2.80 \times 10^3$ |
| φ80          | Push | $5.03 \times 10^2$ | $7.54 \times 10^2$ | $1.01 \times 10^3$ | $1.51 \times 10^3$ | $2.01 \times 10^3$ | $2.51 \times 10^3$ | $3.02 \times 10^3$ | $3.52 \times 10^3$ | $4.02 \times 10^3$ | $4.52 \times 10^3$ | $5.03 \times 10^3$ |
|              | Pull | $4.54 \times 10^2$ | $6.80 \times 10^2$ | $9.07 \times 10^2$ | $1.36 \times 10^3$ | $1.81 \times 10^3$ | $2.27 \times 10^3$ | $2.72 \times 10^3$ | $3.17 \times 10^3$ | $3.63 \times 10^3$ | $4.08 \times 10^3$ | $4.54 \times 10^3$ |
| φ100         | Push | $7.85 \times 10^2$ | $1.18 \times 10^3$ | $1.57 \times 10^3$ | $2.36 \times 10^3$ | $3.14 \times 10^3$ | $3.93 \times 10^3$ | $4.71 \times 10^3$ | $5.50 \times 10^3$ | $6.28 \times 10^3$ | $7.07 \times 10^3$ | $7.85 \times 10^3$ |
|              | Pull | $7.15 \times 10^2$ | $1.07 \times 10^3$ | $1.43 \times 10^3$ | $2.14 \times 10^3$ | $2.86 \times 10^3$ | $3.57 \times 10^3$ | $4.29 \times 10^3$ | $5.00 \times 10^3$ | $5.72 \times 10^3$ | $6.43 \times 10^3$ | $7.15 \times 10^3$ |

▲ 使用前請詳閱「使用注意事項」3・防掉落型SCM-Q項(第331、333、334頁)之相關說明。



## 型號標示方法

無開關（內置開關用磁鐵）

SCM-Q - LB - 40 - B - 100 - R - Q - I

附開關（內置開關用磁鐵）

SCM-Q - LB - 40 - B - 100 - R - T2H - D - Q - I

A 安裝型式  
註1、註2

B 氣缸內徑

C 配管螺牙種類

D 緩衝

E 行程

F 防掉落裝置

G 開關型號

註4

註5

H 開關數量

I 開關安裝方式

J 選購品

註7

K 附屬品

註8

### 選定型號時的注意事項

- 註1：安裝固定架將添附於產品內一併出貨。  
 註2：安裝型式為LB時，將無法在氣缸裝有固定架的狀態下安裝至支架上等位置。詳細內容請參閱使用注意事項。  
 註3：關於開關安裝數量及最小行程，請參閱第268頁。  
 註4：除了C所示的開關型號外，亦備有其他開關可供選擇。（接單生產）  
 詳細內容請參閱卷尾第1頁。  
 註5：若氣缸內徑為φ20~φ40且開關安裝方式採導軌方式，將無法搭載T8H/V開關。  
 註6：有關活塞桿前端外形製作規格，請參閱卷尾第85頁。  
 註7：開關安裝方式若選定「Z」，將無法選定添附開關導軌出貨「Q」之選項。  
 註8：無法同時選定「I」和「Y」。  
 註9：開關將添附於產品內一併出貨。如需組裝產品後出貨，請洽詢本公司。

### 〈型號標示範例〉

SCM-Q-LB-40B-100-R-T2H-D-QI

機型：微型氣缸 防掉落型

- A 安裝型式：軸向腳架型  
 B 氣缸內徑：φ40mm  
 C 配管螺牙種類：Rc螺牙  
 D 緩衝：附兩側空氣緩衝  
 E 行程：100mm  
 F 防掉落裝置：活塞桿側防掉落裝置  
 G 開關型號：無接點T2H開關、導線1m  
 H 開關數量：附2個  
 I 開關安裝方式：導軌方式  
 J 選購品：開關導軌添附出貨  
 K 附屬品：一山關節

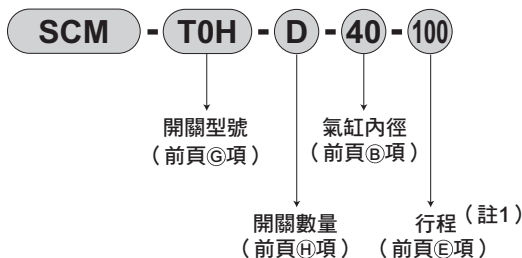
| 記號                 | 內容                         |         |         |    |             |                 |    |    |     |
|--------------------|----------------------------|---------|---------|----|-------------|-----------------|----|----|-----|
| <b>A 安裝型式</b>      |                            |         |         |    |             |                 |    |    |     |
|                    | 氣缸內徑 (φ)                   | 20      | 25      | 32 | 40          | 50              | 63 | 80 | 100 |
| 00                 | 基本型                        | ●       | ●       | ●  | ●           | ●               | ●  | ●  | ●   |
| LB                 | 軸向腳架型                      | ●       | ●       | ●  | ●           | ●               | ●  | ●  | ●   |
| FA                 | 活塞桿側法蘭型                    | ●       | ●       | ●  | ●           | ●               | ●  | ●  | ●   |
| FB                 | 頭蓋側法蘭型                     | ●       | ●       | ●  | ●           | ●               | ●  | ●  | ●   |
| CA                 | 一山吊耳型                      | ●       | ●       | ●  | ●           | ●               | ●  | ●  | ●   |
| CB                 | 二山吊耳型 (添附插銷及止環)            |         |         |    |             |                 |    | ●  | ●   |
| TA                 | 活塞桿側耳軸型<br>(無法製作活塞桿側防掉落裝置) | ●       | ●       | ●  | ●           | ●               | ●  |    |     |
| TB                 | 頭蓋側耳軸型<br>(無法製作頭蓋側防掉落裝置)   | ●       | ●       | ●  | ●           | ●               | ●  |    |     |
| <b>B 氣缸內徑 (mm)</b> |                            |         |         |    |             |                 |    |    |     |
| 20                 | φ20                        |         |         |    |             |                 |    |    |     |
| 25                 | φ25                        |         |         |    |             |                 |    |    |     |
| 32                 | φ32                        |         |         |    |             |                 |    |    |     |
| 40                 | φ40                        |         |         |    |             |                 |    |    |     |
| 50                 | φ50                        |         |         |    |             |                 |    |    |     |
| 63                 | φ63                        |         |         |    |             |                 |    |    |     |
| 80                 | φ80                        |         |         |    |             |                 |    |    |     |
| 100                | φ100                       |         |         |    |             |                 |    |    |     |
| <b>C 配管螺牙種類</b>    |                            |         |         |    |             |                 |    |    |     |
| 無記號                | Rc螺牙                       |         |         |    |             |                 |    |    |     |
| N                  | NPT螺牙 (接單生產) φ32以上         |         |         |    |             |                 |    |    |     |
| G                  | G螺牙 (接單生產) φ32以上           |         |         |    |             |                 |    |    |     |
| <b>D 緩衝</b>        |                            |         |         |    |             |                 |    |    |     |
| B                  | 附兩側空氣緩衝                    |         |         |    |             |                 |    |    |     |
| R                  | 活塞桿側附空氣緩衝                  |         |         |    |             |                 |    |    |     |
| H                  | 頭蓋側附空氣緩衝                   |         |         |    |             |                 |    |    |     |
| <b>E 行程 (mm)</b>   |                            |         |         |    |             |                 |    |    |     |
|                    | 氣缸內徑                       | 行程註2    | 中間行程    |    |             |                 |    |    |     |
|                    | φ20~φ32                    | 10~1000 | 以1mm為單位 |    |             |                 |    |    |     |
|                    | φ40~φ100                   | 10~1500 |         |    |             |                 |    |    |     |
| <b>F 防掉落裝置</b>     |                            |         |         |    |             |                 |    |    |     |
| R                  | 附活塞桿側防掉落裝置                 |         |         |    |             |                 |    |    |     |
| H                  | 附頭蓋側防掉落裝置                  |         |         |    |             |                 |    |    |     |
| <b>G 開關型號</b>      |                            |         |         |    |             |                 |    |    |     |
|                    | 導線直型                       | 導線L型    | 接點      | 電壓 | 顯示          | 導線              |    |    |     |
|                    | T0H※                       | T0V※    | 有接點     | AC | DC          | 單色顯示方式          | 2線 |    |     |
|                    | T5H※                       | T5V※    |         | ●  | ●           | 無顯示燈            |    |    |     |
|                    | T8H※                       | T8V※    |         | ●  | ●           | 單色顯示方式          |    |    |     |
|                    | T1H※                       | T1V※    | 無接點     | ●  |             | 單色顯示方式          | 2線 |    |     |
|                    | T2H※                       | T2V※    |         |    | ●           |                 |    |    |     |
|                    | T3H※                       | T3V※    |         | ●  | ●           | 單色顯示方式 (接單生產)   | 3線 |    |     |
|                    | T3PH※                      | T3PV※   |         |    | ●           |                 |    |    |     |
|                    | T2WH※                      | T2WV※   |         |    | ●           | 雙色顯示方式          | 2線 |    |     |
|                    | T2YH※                      | T2YV※   |         |    | ●           |                 |    |    |     |
|                    | T3WH※                      | T3WV※   |         |    | ●           | 雙色顯示方式          | 3線 |    |     |
|                    | T3YH※                      | T3YV※   |         |    | ●           |                 |    |    |     |
|                    | T2YD※                      | -       |         |    | ●           | 雙色顯示方式<br>交流磁場用 | 2線 |    |     |
|                    | T2YDT※                     | -       |         |    | ●           |                 |    |    |     |
|                    | T2JH※                      | T2JV※   |         | ●  | 單色顯示方式斷電延遲型 | 2線              |    |    |     |
| <b>※導線長度</b>       |                            |         |         |    |             |                 |    |    |     |
| 無記號                | 1m (標準)                    |         |         |    |             |                 |    |    |     |
| 3                  | 3m (選購品)                   |         |         |    |             |                 |    |    |     |
| 5                  | 5m (選購品)                   |         |         |    |             |                 |    |    |     |
| <b>H 開關數量</b>      |                            |         |         |    |             |                 |    |    |     |
| R                  | 活塞桿側附1個                    |         |         |    |             |                 |    |    |     |
| H                  | 頭蓋側附1個                     |         |         |    |             |                 |    |    |     |
| D                  | 附2個                        |         |         |    |             |                 |    |    |     |
| T                  | 附3個                        |         |         |    |             |                 |    |    |     |
| 4                  | 附4個 (如為4個以上，則加入開關數量)       |         |         |    |             |                 |    |    |     |
| <b>I 開關安裝方式</b>    |                            |         |         |    |             |                 |    |    |     |
| 無記號                | 導軌方式                       |         |         |    |             |                 |    |    |     |
| Z                  | 綁帶方式                       |         |         |    |             |                 |    |    |     |
| <b>J 選購品</b>       |                            |         |         |    |             |                 |    |    |     |
| Q                  | 開關導軌添附出貨                   |         |         |    |             |                 |    |    |     |
| P6                 | 銅離子防止處理 (接單生產)             |         |         |    |             |                 |    |    |     |
| <b>K 附屬品</b>       |                            |         |         |    |             |                 |    |    |     |
|                    | 氣缸內徑 (φ)                   | 20      | 25      | 32 | 40          | 50              | 63 | 80 | 100 |
| I                  | 一山關節                       | ●       | ●       | ●  | ●           | ●               | ●  | ●  | ●   |
| Y                  | 二山關節 (添附插銷及止環)             | ●       | ●       | ●  | ●           | ●               | ●  | ●  | ●   |
| B1                 | 一山固定架                      |         |         |    |             |                 |    | ●  | ●   |
| B2                 | 二山固定架                      | ●       | ●       | ●  | ●           | ●               | ●  |    |     |



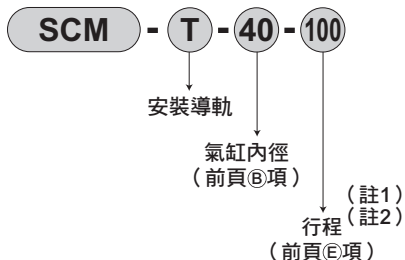
## 開關單品型號標示方法

〈開關安裝方式：導軌方式〉

- 開關本體+安裝導軌一式



- 僅安裝導軌



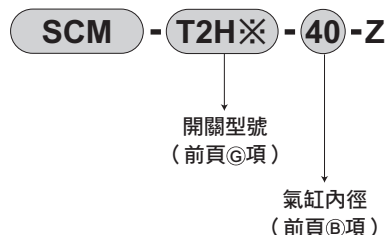
註1：行程超出300mm者請標示X。

行程超出300mm時，每一個開關將附有1支短導軌（開關調整移動距離為100mm）。

註2：僅安裝導軌且標示為X時，請依照所使用的開關數量訂購相同數量的導軌。

〈開關安裝方式：綁帶方式〉

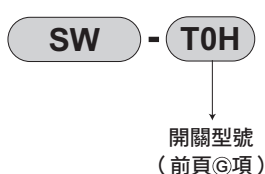
- 開關本體+安裝固定架一式+綁帶



- 安裝固定架一式+綁帶



〈僅開關本體〉



## 安裝固定架型號標示方法

| 氣缸內徑 (mm)   | φ 20      | φ 25      | φ 32      | φ 40      | φ 50      | φ 63      | φ 80      | φ 100      |
|-------------|-----------|-----------|-----------|-----------|-----------|-----------|-----------|------------|
| 安裝固定架       |           |           |           |           |           |           |           |            |
| 腳架 (LB)     | SCM-LB-20 | SCM-LB-25 | SCM-LB-32 | SCM-LB-40 | SCM-LB-50 | SCM-LB-63 | SCM-LB-80 | SCM-LB-100 |
| 法蘭 (FA/FB)  | SCM-FA-20 | SCM-FA-25 | SCM-FA-32 | SCM-FA-40 | SCM-FA-50 | SCM-FA-63 | SCM-FA-80 | SCM-FA-100 |
| 一山吊耳 (CA)   | SCM-CA-20 | SCM-CA-25 | SCM-CA-32 | SCM-CA-40 | SCM-CA-50 | SCM-CA-63 | —         | —          |
| 二山吊耳 (CB)   | —         | —         | —         | —         | —         | —         | SCM-CB-80 | SCM-CB-100 |
| 耳軸型 (TA/TB) | SCM-TA-20 | SCM-TA-25 | SCM-TA-32 | SCM-TA-40 | SCM-TA-50 | SCM-TA-63 | —         | —          |

註1：各安裝固定架皆有添附安裝用螺栓。

註2：腳架型安裝固定架為每組2個。

### 無塵室規格

(型錄編號：CB-033S)

- 防止發塵的構造，可適用於無塵室環境

SCM-Q..... P7※

SCM-Q..... P5※

### 因應二次電池規格

(型錄編號：CC-1226)

- 適用於二次電池製程之結構。

SCM-Q-...- P4※

※詳情請另行洽詢本公司。

- SCP※3
- CMK2
- CMA2
- SCM
- SCG
- SCA2
- SCS2
- CKV2
- CAV2・COV/PIN2
- SSD2
- SSG
- SSD
- CAT
- MDC2
- MVC
- SMG
- MSD・MSDG
- FC※
- STK
- SRL3
- SRG3
- SRM3
- SRT3
- MRL2
- MRG2
- SM-25
- 緩衝器
- FJ
- FK
- 調速閥
- 卷尾

## 動作說明

|             |
|-------------|
| SCP※3       |
| CMK2        |
| CMA2        |
| <b>SCM</b>  |
| SCG         |
| SCA2        |
| SCS2        |
| CKV2        |
| CAV2・COVPI2 |
| SSD2        |
| SSG         |
| SSD         |
| CAT         |
| MDC2        |
| MVC         |
| SMG         |
| MSD・MSDG    |
| FC※         |
| STK         |
| SRL3        |
| SRG3        |
| SRM3        |
| SRT3        |
| MRL2        |
| MRG2        |
| SM-25       |
| 緩衝器         |
| FJ          |
| FK          |
| 調速閥         |
| 卷尾          |

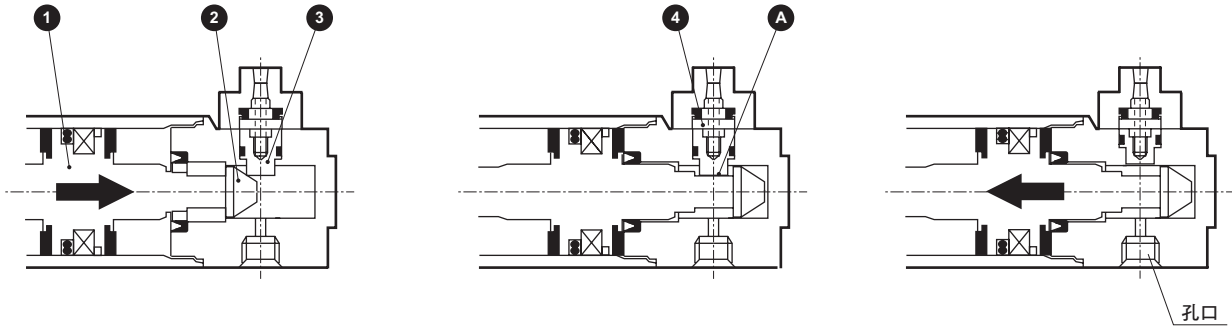
### ● 鎖定動作時

當氣缸活塞①接近行程終端時，止動器活塞③就會沿著軸套②的斜面被往上推。

接著，氣缸的活塞接近行程終端，軸套的溝槽④來到止動器活塞的位置後，止動器活塞會被彈簧④推回進入溝槽並完全鎖定。

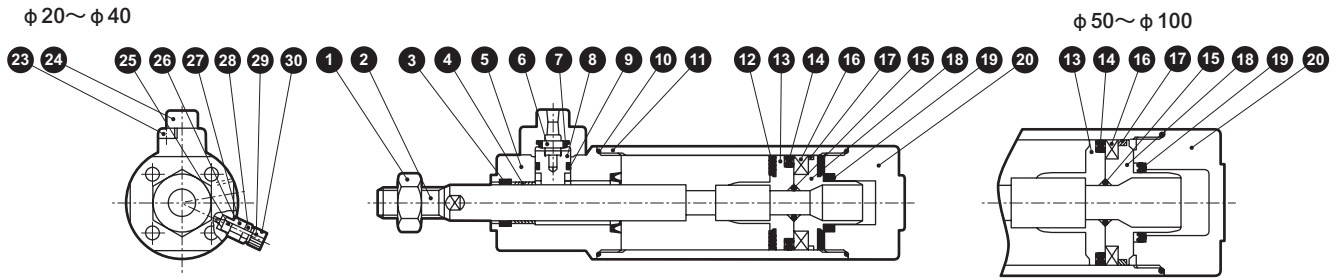
### ● 解除鎖定狀態動作時

若對孔口施加壓力後，止動器活塞就會將彈簧推回原位，並離開軸套溝槽，這時候鎖定就會解除。

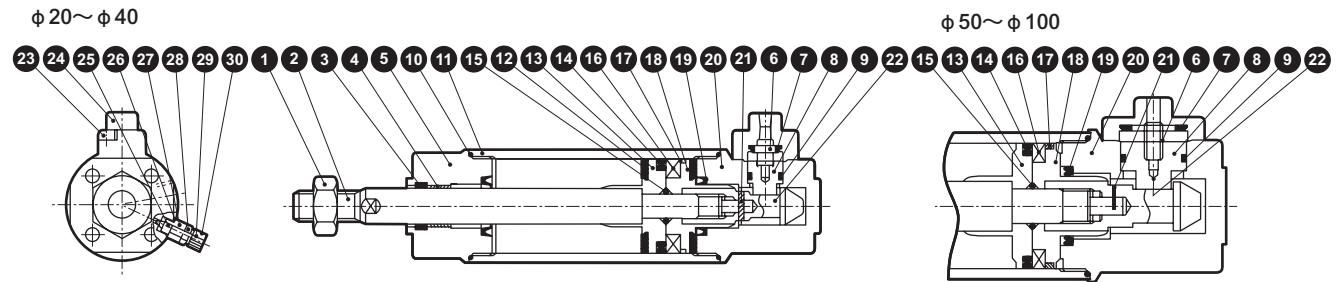


## 內部結構及零件一覽表

### ● SCM-Q (活塞桿側防掉落)



### ● SCM-Q (頭蓋側防掉落)



| 編號 | 零件名稱     | 材質                                | 備註    | 編號 | 零件名稱  | 材質                                | 備註   |
|----|----------|-----------------------------------|-------|----|-------|-----------------------------------|------|
| 1  | 活塞桿螺帽    | 鋼                                 | 鍍鋅    | 16 | 磁鐵    | 塑料                                |      |
| 2  | 活塞桿      | φ 20、φ 25：不鏽鋼<br>φ 32~φ 100：鋼     | 工業用鍍鉻 | 17 | 耐磨環   | 聚縮醛樹脂                             |      |
| 3  | 活塞桿墊圈    | 丁腈橡膠                              |       | 18 | 活塞H   | φ 20~φ 40：鋁合金<br>φ 50~φ 100：鋁合金壓鑄 |      |
| 4  | 軸套       | 含油軸承合金                            |       | 19 | 緩衝墊圈  | 丁腈橡膠、鋼                            |      |
| 5  | 活塞桿蓋     | 鋁合金                               | 烤漆    | 20 | 頭蓋    | 鋁合金                               | 烤漆   |
| 6  | 彈簧       | 鋼                                 |       | 21 | 彈簧插銷  | 鋼                                 |      |
| 7  | 緩衝橡膠 (B) | 聚氨酯橡膠                             |       | 22 | 軸套    | 鋼                                 | 氮化處理 |
| 8  | 止動器活塞    | 鋼                                 | 氮化處理  | 23 | 內六角螺栓 | 合金鋼                               | 染黑   |
| 9  | 活塞墊圈 (B) | 丁腈橡膠                              |       | 24 | 止動器護蓋 | 鋁合金                               | 鉻酸鹽  |
| 10 | 氣缸墊片     | 丁腈橡膠                              |       | 25 | 針閥座   | 丁腈橡膠                              |      |
| 11 | 缸管       | 鋁合金                               | 硬質耐酸鋁 | 26 | 固定器墊片 | 丁腈橡膠                              |      |
| 12 | 緩衝橡膠 (A) | 聚氨酯橡膠                             |       | 27 | 針閥固定器 | 鋁合金                               |      |
| 13 | 活塞R      | φ 20~φ 40：鋁合金<br>φ 50~φ 100：鋁合金壓鑄 |       | 28 | 鎖定螺帽  | 鋼                                 | 鍍鋅   |
| 14 | 活塞墊圈 (A) | 丁腈橡膠                              |       | 29 | 針閥    | 不鏽鋼                               |      |
| 15 | 活塞墊圈     | 丁腈橡膠                              |       | 30 | 旋鈕    | 鋁合金                               | 鉻酸鹽  |

### 消耗性零件一覽表

| 氣缸內徑 (mm) | 套件編號        | 消耗性零件編號   |
|-----------|-------------|---|
| φ 20      | SCM-Q-20BK  | <div style="display: flex; flex-wrap: wrap; gap: 5px;"> <span>3</span> <span>7</span> <span>9</span> <span>10</span> <span>12</span> <span>14</span> <span>17</span> <span>19</span> <span>25</span> <span>26</span> </div> |
| φ 25      | SCM-Q-25BK  |   |
| φ 32      | SCM-Q-32BK  |   |
| φ 40      | SCM-Q-40BK  |   |
| φ 50      | SCM-Q-50BK  |   |
| φ 63      | SCM-Q-63BK  |   |
| φ 80      | SCM-Q-80BK  |   |
| φ 100     | SCM-Q-100BK |   |

註：訂購時請指定套件編號。

SCP※3  
CMK2  
CMA2  
SCM  
SCG  
SCA2  
SCS2  
CKV2  
CAV2・COV/PIN2  
SSD2  
SSG  
SSD  
CAT  
MDC2  
MVC  
SMG  
MSD・MSDG  
FC※  
STK  
SRL3  
SRG3  
SRM3  
SRT3  
MRL2  
MRG2  
SM-25  
緩衝器  
FJ  
FK  
調速閥  
卷尾

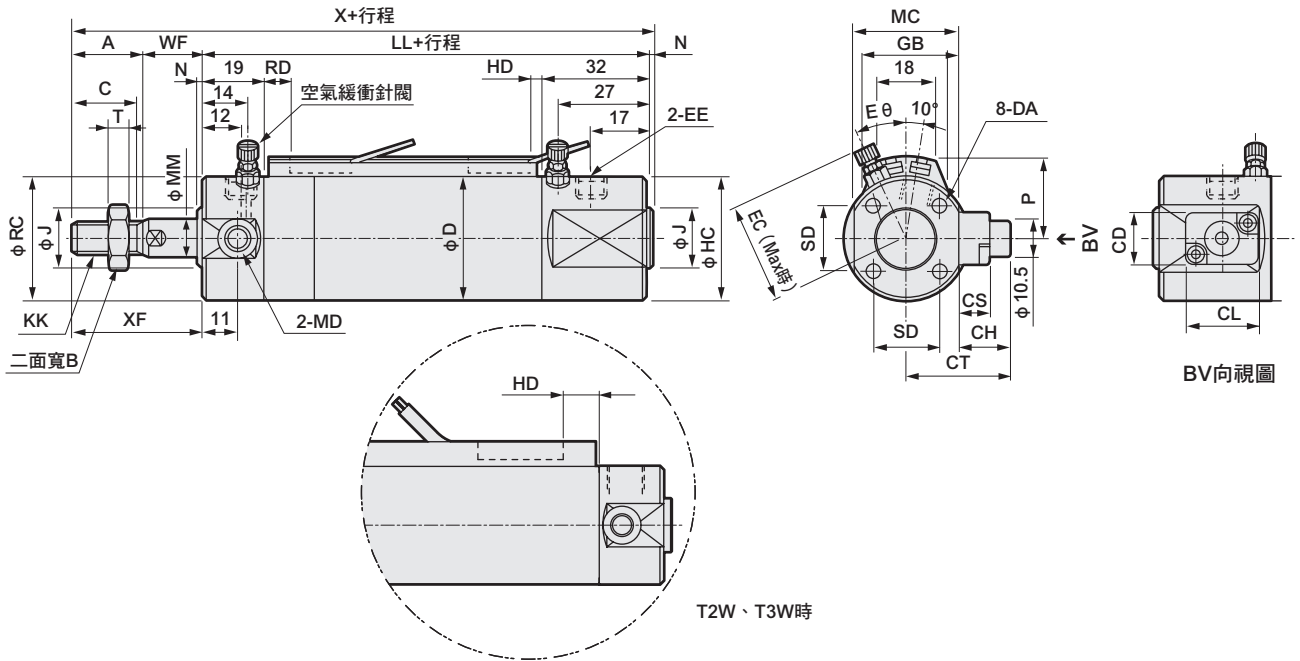


### 外形尺寸圖 (φ20~φ32)

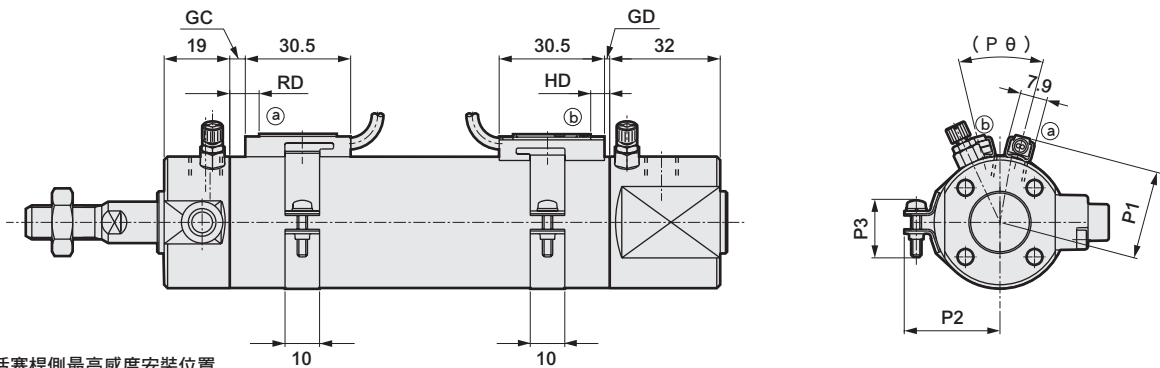


- 基本型 (00)  
(頭蓋側防掉落裝置)

● 開關安裝方式：導軌方式



● 開關安裝方式：綁帶方式



RD：活塞桿側最高感度安裝位置  
HD：頭蓋側最高感度安裝位置

註1：安裝型式為LB時，將無法在氣缸裝有固定架的狀態下安裝至支架上等位置。詳細內容請參閱使用注意事項。  
註2：雙色顯示方式、斷電延遲式、交流磁場用、T1H/V、T8H/V開關的RD、HD、突出尺寸等，請參閱第329頁。

| 記號        | 基本型 (00) 基本尺寸 |    |      |    |      |    |     |      |    |         |      |       |     |    |    |          |    |    |    |    |     |    |
|-----------|---------------|----|------|----|------|----|-----|------|----|---------|------|-------|-----|----|----|----------|----|----|----|----|-----|----|
| 氣缸內徑 (mm) | A             | B  | C    | CD | CH   | CL | CS  | CT   | D  | DA      | EC   | EE    | Eθ  | HC | J  | KK       | LL | MC | MD | MM | MO  | MN |
| φ20       | 18            | 13 | 15.5 | 16 | 15.5 | 22 | 9.5 | 28   | 26 | M4深度6.5 | 27   | M5    | 30° | 30 | 12 | M8       | 84 | 25 | M5 | 8  | 4   | 6  |
| φ25       | 22            | 17 | 19.5 | 16 | 15.5 | 22 | 9.5 | 31   | 31 | M5深度6.5 | 29.5 | M5    | 30° | 35 | 14 | M10×1.25 | 84 | 31 | M6 | 10 | 5   | 8  |
| φ32       | 22            | 17 | 19.5 | 16 | 15.5 | 22 | 9.5 | 31.5 | 38 | M5深度7.5 | 32.8 | Rc1/8 | 25° | 38 | 18 | M10×1.25 | 86 | 32 | M8 | 12 | 5.5 | 10 |

| 記號 | 氣缸內徑 (mm) | 開關安裝方式：導軌方式 |    |      |   |    |     |    |      |      |       | 開關安裝方式：綁帶方式 |         |       |       |         |       |       |         |       |       |         |
|----|-----------|-------------|----|------|---|----|-----|----|------|------|-------|-------------|---------|-------|-------|---------|-------|-------|---------|-------|-------|---------|
|    |           | N           | RC | SD   | T | WF | X   | XF | P    | GB   | HD    |             |         | RD    |       |         | GC    |       |         | GD    |       |         |
|    |           |             |    |      |   |    |     |    |      |      | T0/T5 | T2/T3       | T2W/T3W | T0/T5 | T2/T3 | T2W/T3W | T0/T5 | T2/T3 | T2W/T3W | T0/T5 | T2/T3 | T2W/T3W |
|    | φ20       | 2           | 26 | 14   | 5 | 17 | 121 | 35 | 19.5 | 23   | 3.0   | 6.5         | 8.5     | 7.5   | 7.5   | 9.5     | 3.5   | 3.5   | 5.5     | 2.5   | 2.5   | 4.5     |
|    | φ25       | 2           | 31 | 16.5 | 6 | 18 | 126 | 40 | 22   | 24.4 | 2.0   | 5.5         | 7.5     | 8.5   | 8.5   | 10.5    | 4.5   | 4.5   | 6.5     | 1.5   | 1.5   | 3.5     |
|    | φ32       | 2           | 38 | 20   | 6 | 18 | 128 | 40 | 25.5 | 25   | 3.0   | 6.5         | 8.5     | 9.5   | 9.5   | 11.5    | 5.5   | 5.5   | 7.5     | 2.5   | 2.5   | 4.5     |

| 記號 | 氣缸內徑 (mm) | HD    |       |         |       |       |         | RD   |      |      | P1    | P2 | P3    | Pθ |
|----|-----------|-------|-------|---------|-------|-------|---------|------|------|------|-------|----|-------|----|
|    |           | T0/T5 | T2/T3 | T2W/T3W | T0/T5 | T2/T3 | T2W/T3W |      |      |      |       |    |       |    |
|    |           |       | φ20   | 6.5     | 6.5   | 8.5   | 7.5     | 7.5  | 9.5  | 19.6 | 21.5  | 14 | (38°) |    |
|    | φ25       | 5.5   | 5.5   | 7.5     | 8.5   | 8.5   | 10.5    | 22.1 | 23.9 | 14   | (34°) |    |       |    |
|    | φ32       | 6.5   | 6.5   | 8.5     | 9.5   | 9.5   | 11.5    | 25.6 | 27.6 | 16   | (30°) |    |       |    |

※各安裝型式的安裝尺寸與SCM (複動型) 相同。請參閱第226~237頁。  
※附屬品的外形尺寸圖請參閱第238、239頁。

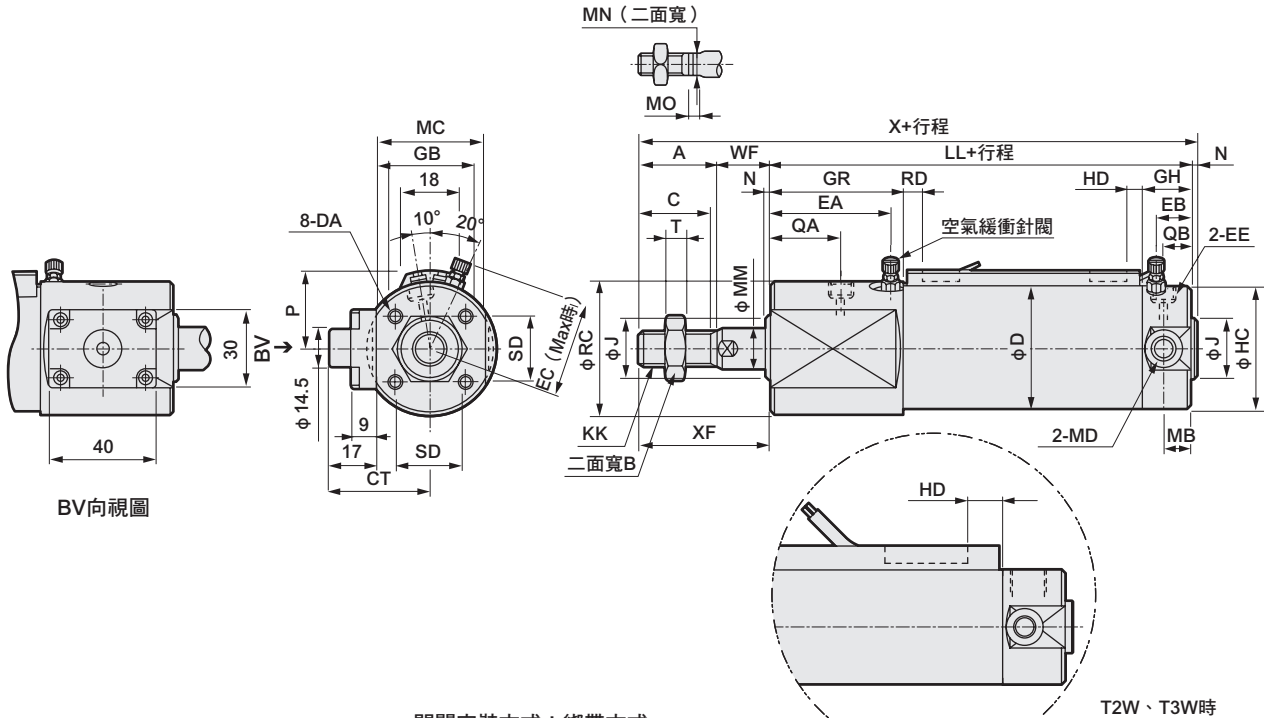
- SCP※3
- CMK2
- CMA2
- SCM**
- SCG
- SCA2
- SCS2
- CKV2
- CAV2・COV/PIN2
- SSD2
- SSG
- SSD
- CAT
- MDC2
- MVC
- SMG
- MSD・MSDG
- FC※
- STK
- SRL3
- SRG3
- SRM3
- SRT3
- MRL2
- MRG2
- SM-25
- 緩衝器
- FJ
- FK
- 調速閥
- 卷尾



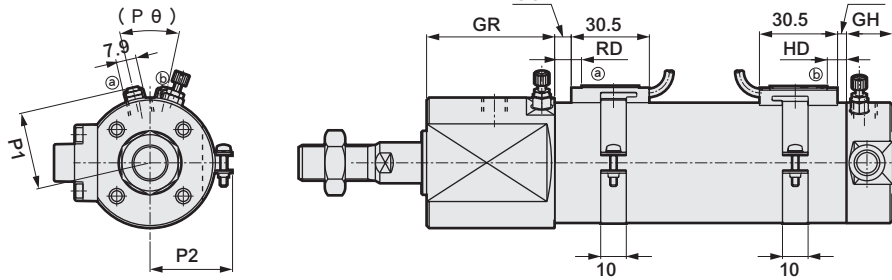
## 外形尺寸圖 (φ40~φ100)

● 基本型 (00)  
(附活塞桿側防掉落裝置)

● 開關安裝方式：導軌方式



● 開關安裝方式：綁帶方式



註1：安裝型式為LB時，將無法在氣缸裝有固定架的狀態下安裝至支架上等位置。詳細內容請參閱使用注意事項。  
註2：雙色顯示方式、斷電延遲式、交流磁場用、T1H/V、T8H/V開關的RD、HD、突出尺寸等，請參閱第329頁。

| 記號   | 基本型 (00) 基本尺寸 |    |    |    |      |     |         |      |      |      |       |    |    |     |    |         |     |    |    |     |     |
|------|---------------|----|----|----|------|-----|---------|------|------|------|-------|----|----|-----|----|---------|-----|----|----|-----|-----|
|      | A             | B  | C  | CT | D    | DA  | EA      | EB   | EC   | EE   | GH    | GR | HC | J   | KK | LL      | MA  | MB | MC | MD  |     |
| SRG3 | φ40           | 30 | 22 | 27 | 37.5 | 47  | M6深度12  | 45   | 13   | 36.6 | Rc1/8 | 19 | 50 | 47  | 25 | M14×1.5 | 108 | 12 | 10 | 41  | M10 |
|      | φ50           | 35 | 27 | 32 | 43.5 | 58  | M8深度16  | 48.5 | 15.5 | 43   | Rc1/4 | 22 | 55 | 58  | 30 | M18×1.5 | 120 | 13 | 12 | 53  | M12 |
| SRM3 | φ63           | 35 | 27 | 32 | 49.5 | 72  | M10深度16 | 48.5 | 15.5 | 50   | Rc1/4 | 22 | 55 | 72  | 32 | M18×1.5 | 120 | 13 | 12 | 65  | M14 |
|      | φ80           | 40 | 32 | 37 | 57.5 | 89  | M10深度22 | 50   | 20   | 58.5 | Rc3/8 | 28 | 58 | 89  | 40 | M22×1.5 | 138 | -  | -  | 81  | -   |
| SRT3 | φ100          | 40 | 41 | 37 | 68.5 | 110 | M12深度22 | 50   | 20   | 69   | Rc1/2 | 28 | 58 | 110 | 50 | M26×1.5 | 138 | -  | -  | 103 | -   |

| 記號        | 開關安裝方式：導軌方式 |     |    |    |    |      |      |     |    |    |    |     |     |       |                  |            |      |      |
|-----------|-------------|-----|----|----|----|------|------|-----|----|----|----|-----|-----|-------|------------------|------------|------|------|
|           | MM          | MO  | MN | N  | QA | QB   | RC   | SD  | T  | WF | X  | XF  | P   | GB    | HD               |            |      |      |
| 氣缸內徑 (mm) |             |     |    |    |    |      |      |     |    |    |    |     |     | T0/T5 | T2/T2R<br>T3/T3P | T2W<br>T3W |      |      |
|           | MRG2        | φ40 | 16 | 6  | 14 | 2    | 26.5 | 12  | 51 | 26 | 8  | 20  | 160 | 50    | 30               | 25.7       | 5.0  | 8.5  |
| φ50       |             | 20  | 8  | 17 | 2  | 30   | 12   | 61  | 32 | 11 | 23 | 180 | 58  | 35.5  | 26.2             | 7.5        | 11.0 | 7.5  |
| SM-25     | φ63         | 20  | 8  | 17 | 2  | 30   | 12   | 72  | 38 | 11 | 23 | 180 | 58  | 42.5  | 26.5             | 7.5        | 11.0 | 8.5  |
|           | φ80         | 25  | 11 | 22 | 3  | 31.5 | 15   | 89  | 50 | 13 | 31 | 212 | 71  | 51    | 26.7             | 9.5        | 13.0 | 10.5 |
|           | φ100        | 30  | 13 | 27 | 3  | 31.5 | 15   | 110 | 60 | 16 | 31 | 212 | 71  | 61.5  | 26.7             | 10.0       | 13.5 | 13.0 |

| 記號        | 開關安裝方式：綁帶方式 |                  |            |       |       |            |       |       |            |       |       |            |       |       |            |      |      |      |      |       |
|-----------|-------------|------------------|------------|-------|-------|------------|-------|-------|------------|-------|-------|------------|-------|-------|------------|------|------|------|------|-------|
|           | RD          |                  |            | GC    |       |            | GD    |       |            | HD    |       |            | RD    |       |            | P1   | P2   | P3   | Pθ   |       |
| 氣缸內徑 (mm) | T0/T5       | T2/T2R<br>T3/T3P | T2W<br>T3W | T0/T5 | T2,T3 | T2W<br>T3W | T0/T5 | T2,T3 | T2W<br>T3W | T0/T5 | T2,T3 | T2W<br>T3W | T0/T5 | T2,T3 | T2W<br>T3W |      |      |      |      |       |
|           | FJ          | φ40              | 11.5       | 11.5  | 9.5   | 7.5        | 7.5   | 5.5   | 4.5        | 4.5   | 4.5   | 8.5        | 8.5   | 8.5   | 11.5       | 11.5 | 9.5  | 30.2 | 32.1 | 14    |
| FK        | φ50         | 13.0             | 13.0       | 10.5  | 9.0   | 9.0        | 6.5   | 7.0   | 7.0        | 3.5   | 11.0  | 11.0       | 7.5   | 13.0  | 13.0       | 10.5 | 35.7 | 37.4 | 14   | (22°) |
|           | φ63         | 13.0             | 13.0       | 11.5  | 9.0   | 9.0        | 7.5   | 7.0   | 7.0        | 4.5   | 11.0  | 11.0       | 8.5   | 13.0  | 13.0       | 11.5 | 42.7 | 44.4 | 16   | (20°) |
| 調速閥       | φ80         | 20.0             | 20.0       | 13.5  | 16.0  | 16.0       | 9.5   | 9.0   | 9.0        | 6.5   | 13.0  | 13.0       | 10.5  | 20.0  | 20.0       | 13.5 | 51.2 | 53.0 | 16   | (16°) |
|           | φ100        | 19.5             | 19.5       | 15.0  | 15.5  | 15.5       | 11.0  | 9.5   | 9.5        | 9.0   | 13.5  | 13.5       | 13.0  | 19.5  | 19.5       | 15.0 | 61.7 | 63.5 | 16   | (16°) |

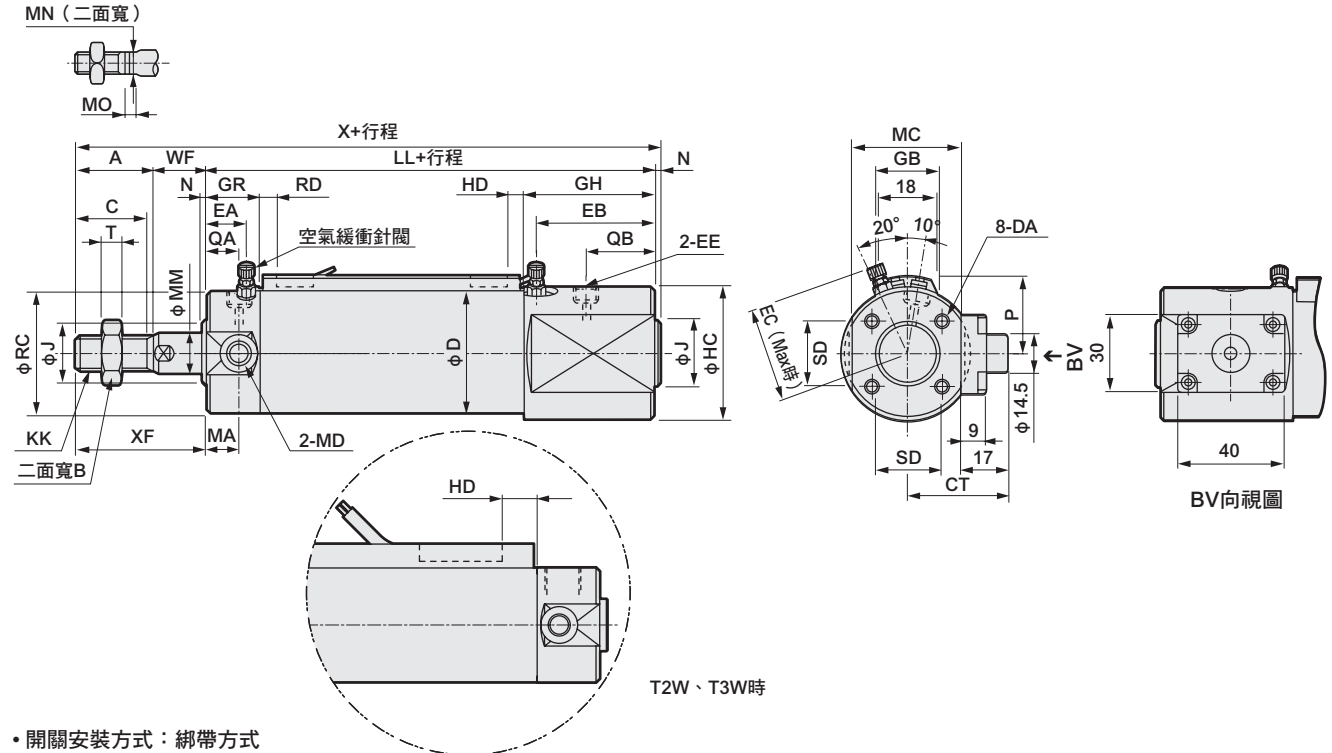
※各安裝型式的安裝尺寸與SCM (複動型) 相同。請參閱第226~237頁。  
※附屬品的外形尺寸圖請參閱第238、239頁。



### 外形尺寸圖 (φ40~φ100)



- 基本型 (00)  
(頭蓋側防掉落裝置)
- 開關安裝方式：導軌方式



- 開關安裝方式：綁帶方式

註1：安裝型式為LB時，將無法在氣缸裝有固定架的狀態下安裝至支架上等位置。詳細內容請參閱使用注意事項。  
 註2：雙色顯示方式、斷電延遲式、交流磁場用、T1H/V、T8H/V開關的RD、HD、突出尺寸等，請參閱第329頁。

| 記號        | 基本型 (00) 基本尺寸 |    |    |      |     |         |      |      |      |       |    |    |     |    |         |     |    |    |     |     |
|-----------|---------------|----|----|------|-----|---------|------|------|------|-------|----|----|-----|----|---------|-----|----|----|-----|-----|
| 氣缸內徑 (mm) | A             | B  | C  | CT   | D   | DA      | EA   | EB   | EC   | EE    | GH | GR | HC  | J  | KK      | LL  | MA | MB | MC  | MD  |
| φ40       | 30            | 22 | 27 | 37.5 | 47  | M6深度12  | 15   | 44   | 36.6 | Rc1/8 | 49 | 20 | 51  | 25 | M14×1.5 | 108 | 12 | 10 | 41  | M10 |
| φ50       | 35            | 27 | 32 | 43.5 | 58  | M8深度16  | 18.5 | 45.5 | 43   | Rc1/4 | 52 | 25 | 61  | 30 | M18×1.5 | 120 | 13 | 12 | 53  | M12 |
| φ63       | 35            | 27 | 32 | 49.5 | 72  | M10深度16 | 18.5 | 45.5 | 50   | Rc1/4 | 52 | 25 | 72  | 32 | M18×1.5 | 120 | 13 | 12 | 65  | M14 |
| φ80       | 40            | 32 | 37 | 57.5 | 89  | M10深度22 | 20   | 50   | 58.5 | Rc3/8 | 58 | 28 | 89  | 40 | M22×1.5 | 138 | -  | -  | 81  | -   |
| φ100      | 40            | 41 | 37 | 68.5 | 110 | M12深度22 | 20   | 50   | 69   | Rc1/2 | 58 | 28 | 110 | 50 | M26×1.5 | 138 | -  | -  | 103 | -   |

| 記號        | 開關安裝方式：導軌方式 |    |    |   |    |      |     |    |    |    |     |    |      |      |       |       |         |       |       |         |
|-----------|-------------|----|----|---|----|------|-----|----|----|----|-----|----|------|------|-------|-------|---------|-------|-------|---------|
| 氣缸內徑 (mm) | MM          | MO | MN | N | QA | QB   | RC  | SD | T  | WF | X   | XF | P    | GB   | HD    |       |         | RD    |       |         |
|           |             |    |    |   |    |      |     |    |    |    |     |    |      |      | T0/T5 | T2/T3 | T2W/T3W | T0/T5 | T2/T3 | T2W/T3W |
| φ40       | 16          | 6  | 14 | 2 | 13 | 25.5 | 47  | 26 | 8  | 20 | 160 | 50 | 30   | 25.7 | 5.0   | 8.5   | 8.5     | 11.5  | 11.5  | 9.5     |
| φ50       | 20          | 8  | 17 | 2 | 15 | 27   | 58  | 32 | 11 | 23 | 180 | 58 | 35.5 | 26.2 | 7.5   | 11.0  | 7.5     | 13.0  | 13.0  | 10.5    |
| φ63       | 20          | 8  | 17 | 2 | 15 | 27   | 72  | 38 | 11 | 23 | 180 | 58 | 42.5 | 26.5 | 7.5   | 11.0  | 8.5     | 13.0  | 13.0  | 11.5    |
| φ80       | 25          | 11 | 22 | 3 | 15 | 31.5 | 89  | 50 | 13 | 31 | 212 | 71 | 51   | 26.7 | 9.5   | 13.0  | 10.5    | 20.0  | 20.0  | 13.5    |
| φ100      | 30          | 13 | 27 | 3 | 15 | 31.5 | 110 | 60 | 16 | 31 | 212 | 71 | 61.5 | 26.7 | 10.0  | 13.5  | 13.0    | 19.5  | 19.5  | 15.0    |

| 記號        | 開關安裝方式：綁帶方式 |       |         |       |       |         |       |       |         |       |       |         |      |      |    |       |
|-----------|-------------|-------|---------|-------|-------|---------|-------|-------|---------|-------|-------|---------|------|------|----|-------|
| 氣缸內徑 (mm) | GC          |       |         | GD    |       |         | HD    |       |         | RD    |       |         | P1   | P2   | P3 | Pθ    |
|           | T0/T5       | T2/T3 | T2W/T3W | T0/T5 | T2/T3 | T2W/T3W | T0/T5 | T2/T3 | T2W/T3W | T0/T5 | T2/T3 | T2W/T3W |      |      |    |       |
| φ40       | 7.5         | 7.5   | 5.5     | 4.5   | 4.5   | 4.5     | 8.5   | 8.5   | 8.5     | 11.5  | 11.5  | 9.5     | 30.2 | 32.1 | 14 | (26°) |
| φ50       | 9.0         | 9.0   | 6.5     | 7.0   | 7.0   | 3.5     | 11.0  | 11.0  | 7.5     | 13.0  | 13.0  | 10.5    | 35.7 | 37.4 | 14 | (22°) |
| φ63       | 9.0         | 9.0   | 7.5     | 7.0   | 7.0   | 4.5     | 11.0  | 11.0  | 8.5     | 13.0  | 13.0  | 11.5    | 42.7 | 44.4 | 16 | (20°) |
| φ80       | 16.0        | 16.0  | 9.5     | 9.0   | 9.0   | 6.5     | 13.0  | 13.0  | 10.5    | 20.0  | 20.0  | 13.5    | 51.2 | 53.0 | 16 | (16°) |
| φ100      | 15.5        | 15.5  | 11.0    | 9.5   | 9.5   | 9.0     | 13.5  | 13.5  | 13.0    | 19.5  | 19.5  | 15.0    | 61.7 | 63.5 | 16 | (16°) |

※各安裝型式的安裝尺寸與SCM (複動型) 相同。請參閱第226~237頁。  
 ※附屬品的外形尺寸圖請參閱第238、239頁。

|               |
|---------------|
| SCP※3         |
| CMK2          |
| CMA2          |
| SCM           |
| SCG           |
| SCA2          |
| SCS2          |
| CKV2          |
| CAV2・COV/PIN2 |
| SSD2          |
| SSG           |
| SSD           |
| CAT           |
| MDC2          |
| MVC           |
| SMG           |
| MSD・MSDG      |
| FC※           |
| STK           |
| SRL3          |
| SRG3          |
| SRM3          |
| SRT3          |
| MRL2          |
| MRG2          |
| SM-25         |
| 緩衝器           |
| FJ            |
| FK            |
| 調速閥           |
| 卷尾            |

微型氣缸 複動、微速型

# SCM-F Series

● 氣缸內徑：φ 20、φ 25、φ 32、φ 40

JIS記號



## 規格

| 項目     | SCM  |                           |      |      |      |
|--------|------|---------------------------|------|------|------|
| 氣缸內徑   | mm   | φ 20                      | φ 25 | φ 32 | φ 40 |
| 動作方式   |      | 複動、微速型                    |      |      |      |
| 使用流體   |      | 壓縮空氣                      |      |      |      |
| 最高使用壓力 | MPa  | 1.0                       |      |      |      |
| 最低使用壓力 | MPa  | 0.1                       |      |      |      |
| 耐壓力    | MPa  | 1.6                       |      |      |      |
| 環境溫度   | °C   | -10~60 (避免結凍)             |      |      |      |
| 連接口徑   |      | Rc1/8                     |      |      |      |
| 行程容許差  | mm   | +1.4<br>0                 |      |      |      |
| 使用活塞速度 | mm/s | 1~200 (使用時不得超過吸收能量的容許範圍。) |      |      |      |
| 緩衝     |      | 橡膠緩衝                      |      |      |      |
| 給油     |      | 不可                        |      |      |      |
| 容許吸收能量 | J    | 0.1                       | 0.2  | 0.5  | 0.9  |

## 行程

| 氣缸內徑 (mm) | 標準行程 (mm)                                | 最大行程 (mm) | 最小行程 (mm) |
|-----------|--|-----------|-----------|
| φ 20      | 25、50、75、100、<br>125、150、200、<br>250、300 | 500       | 10        |
| φ 25      |  |           |           |
| φ 32      |  |           |           |
| φ 40      |  |           |           |

註1：中間行程的製作規格間距為1mm。

## 開關安裝數量及最小行程 (mm)

● 開關安裝方式：導軌方式

| 開關數量<br>氣缸內徑<br>(mm) | 1     |         |      |     | 2     |         |      |     | 3           |         |      |     | 4           |         |      |     | 5             |         |      |     |
|----------------------|-------|---------|------|-----|-------|---------|------|-----|-------------|---------|------|-----|-------------|---------|------|-----|---------------|---------|------|-----|
|                      | 無接點   |         |      | 有接點 | 無接點   |         |      | 有接點 | 無接點         |         |      | 有接點 | 無接點         |         |      | 有接點 | 無接點           |         |      | 有接點 |
|                      | T2,T3 | T2W,T3W | T×Y× |     | T2,T3 | T2W,T3W | T×Y× |     | T2,T3       | T2W,T3W | T×Y× |     | T2,T3       | T2W,T3W | T×Y× |     | T2,T3         | T2W,T3W | T×Y× |     |
| φ 20                 | 10    |         |      |     | 25    |         |      |     | 50 70 70 55 |         |      |     | 55 70 70 55 |         |      |     | 75 110 110 90 |         |      |     |
| φ 25                 | 10    |         |      |     | 25    |         |      |     | 50 70 70 55 |         |      |     | 55 70 70 55 |         |      |     | 75 110 110 90 |         |      |     |
| φ 32                 | 10    |         |      |     | 25    |         |      |     | 50 70 70 55 |         |      |     | 55 70 70 55 |         |      |     | 75 110 110 90 |         |      |     |
| φ 40                 | 10    |         |      |     | 25    |         |      |     | 50 70 70 55 |         |      |     | 55 70 70 55 |         |      |     | 75 110 110 90 |         |      |     |

註1：由於附1個開關且行程10mm以上未滿25mm的規格，其開關導軌安裝位置會改變，因此無法製作安裝型式耳軸型。另外，安裝位置請參閱第329頁。

● 開關安裝方式：綁帶方式

| 開關數量<br>氣缸內徑<br>(mm) | 1     |         |      |     | 2     |         |      |     | 3     |         |      |     | 4     |         |      |     | 5     |         |      |     |
|----------------------|-------|---------|------|-----|-------|---------|------|-----|-------|---------|------|-----|-------|---------|------|-----|-------|---------|------|-----|
|                      | 無接點   |         |      | 有接點 | 無接點   |         |      | 有接點 | 無接點   |         |      | 有接點 | 無接點   |         |      | 有接點 | 無接點   |         |      | 有接點 |
|                      | T2,T3 | T2W,T3W | T×Y× |     | T2,T3 | T2W,T3W | T×Y× |     | T2,T3 | T2W,T3W | T×Y× |     | T2,T3 | T2W,T3W | T×Y× |     | T2,T3 | T2W,T3W | T×Y× |     |
| φ 20                 | 10    |         |      |     | 25    | 30      | 35   | 25  | 50    | 55      | 55   | 50  | 75    | 75      | 80   | 70  | 95    | 100     | 100  | 95  |
| φ 25                 | 10    |         |      |     | 25    | 30      | 35   | 25  | 50    | 55      | 55   | 50  | 75    | 75      | 80   | 70  | 95    | 100     | 100  | 95  |
| φ 32                 | 10    |         |      |     | 25    | 30      | 35   | 25  | 50    | 55      | 55   | 50  | 75    | 75      | 80   | 70  | 95    | 100     | 100  | 95  |
| φ 40                 | 10    |         |      |     | 25    | 30      | 35   | 25  | 50    | 55      | 55   | 50  | 75    | 75      | 80   | 70  | 95    | 100     | 100  | 95  |

## 開關規格

● 單色/雙色顯示方式

| 項目   | 無接點2線式                           |                            | 無接點3線式                      |                            |                            |                             | 有接點2線式                      |                            |                |                 | 無接點2線式                         |             |                |         |                         |        |         |
|------|----------------------------------|----------------------------|-----------------------------|----------------------------|----------------------------|-----------------------------|-----------------------------|----------------------------|----------------|-----------------|--------------------------------|-------------|----------------|---------|-------------------------|--------|---------|
|      | T1H・T1V                          | T2H・T2V・<br>T2JH・T2JV      | T2YH・<br>T2YV               | T2WH・<br>T2WV              | T3H・T3V                    | T3PH・T3PV<br>(接單生產)         | T3YH・<br>T3YV               | T3WH・<br>T3WV              | T0H・T0V        | T5H・T5V         | T8H・T8V                        | T2YD        |                |         |                         |        |         |
| 用途   | 可程式控制器<br>繼電器、小型電磁開關             | 可程式控制器專用                   |                             |                            |                            | 可程式控制器、繼電器用                 |                             |                            |                | 可程式控制器、<br>繼電器用 | 可程式控制器、繼電器<br>IC迴路(無顯示燈)、串聯連接用 | 可程式控制器、繼電器用 | 可程式<br>控制器專用   |         |                         |        |         |
| 輸出方式 | —                                |                            |                             |                            | NPN輸出                      | PNP輸出                       | NPN輸出                       | NPN輸出                      | —              |                 |                                |             | —              |         |                         |        |         |
| 電源電壓 | —                                |                            |                             |                            | DC10~28V                   |                             |                             |                            | —              |                 |                                |             | —              |         |                         |        |         |
| 負載電壓 | AC85~265V                        | DC10~30V                   | DC24V±10%                   | DC30V以下                    |                            |                             |                             | DC12/24V                   | AC100/110V     | DC5/12/24V      | AC100/110V                     | DC12/24V    | AC110V         | AC220V  | DC24V±10%               |        |         |
| 負載電流 | 5~100mA                          | 5~20mA (註2)                |                             |                            |                            | 100mA以下                     |                             | 50mA以下                     |                | 5~50mA          | 7~20mA                         | 50mA以下      | 20mA以下         | 5~50mA  | 7~20mA                  | 7~10mA | 5~20mA  |
| 顯示燈  | LED<br>(ON時亮燈)                   | LED<br>(ON時亮燈)             | 紅色/綠色<br>LED<br>(ON時亮燈)     | 紅色/綠色<br>LED<br>(ON時亮燈)    | LED<br>(ON時亮燈)             | 黃色<br>LED<br>(ON時亮燈)        | 紅色/綠色<br>LED<br>(ON時亮燈)     | 紅色/綠色<br>LED<br>(ON時亮燈)    | LED<br>(ON時亮燈) |                 | 無顯示燈                           |             | LED<br>(ON時亮燈) |         | 紅色/綠色<br>LED<br>(ON時亮燈) |        |         |
| 漏電電流 | AC100V時電流小於1mA<br>AC200V時電流小於2mA | 1mA以下                      |                             |                            |                            | 10μA以下                      |                             |                            |                | 0mA             |                                |             |                | 1mA以下   |                         |        |         |
| 重量 g | 1m: 33<br>3m: 87<br>5m: 142      | 1m: 18<br>3m: 49<br>5m: 80 | 1m: 33<br>3m: 87<br>5m: 142 | 1m: 18<br>3m: 49<br>5m: 80 | 1m: 18<br>3m: 49<br>5m: 80 | 1m: 33<br>3m: 87<br>5m: 142 | 1m: 18<br>3m: 87<br>5m: 142 | 1m: 18<br>3m: 49<br>5m: 80 | 1m: 18         | 3m: 49          | 5m: 80                         | 1m: 18      | 3m: 87         | 5m: 142 | 1m: 33                  | 3m: 87 | 5m: 142 |

註1：其他開關規格，請參閱卷尾第1頁。

註2：上述負載電流的最大值：20mA為溫度25°C時的數值。開關使用環境溫度若高於25°C，電流將降至低於20mA。  
(溫度到達60°C時，則電流為5~10mA。)

註3：T0/T5開關也可使用AC220V。關於使用條件，請洽詢本公司。

註4：交流磁場用開關(T2YD)於直流磁場環境下無法使用。

註5：外形尺寸視開關型號而異。詳細內容請參閱卷尾第18頁。

## 氣缸重量

(單位：kg)

| 項目、安裝型式  | 行程(S)=0mm時的產品重量 |           |            |      |            | 開關重量<br>(每1個) | S=10mm時<br>的累計重量 | S=10mm時的累<br>計重量(附開關<br>導軌) | 1個開關的<br>綁帶重量 |       |       |
|----------|-----------------|-----------|------------|------|------------|---------------|------------------|-----------------------------|---------------|-------|-------|
|          | 基本型(00)         | 軸向腳架型(LB) | 法蘭型(FA/FB) | 吊耳型  | 耳軸型(TA/TB) |               |                  |                             |               |       |       |
| 氣缸內徑(mm) | φ 20            | φ 25      | φ 32       | φ 40 |            |               |                  |                             |               |       |       |
|          | 0.10            | 0.17      | 0.26       | 0.41 | 0.21       | 0.13          | 0.15             | 0.11                        | 0.01          | 0.012 | 0.007 |
|          |                 |           |            |      | 0.30       | 0.21          | 0.25             | 0.19                        | 0.014         | 0.016 | 0.007 |
|          |                 |           |            |      | 0.42       | 0.32          | 0.41             | 0.29                        | 0.018         | 0.02  | 0.007 |
|          |                 |           |            |      | 0.63       | 0.49          | 0.64             | 0.46                        | 0.03          | 0.032 | 0.007 |

(範例) SCM-F-LB-40B-100-T2H-D的產品重量

- S=0mm時的產品重量.....0.63kg
- S=100mm時的累計重量..... $0.032 \times \frac{100}{10} = 0.32\text{kg}$
- 2個開關的重量..... $0.018 \times 2 = 0.036\text{kg}$
- 產品重量..... $0.63\text{kg} + 0.32\text{kg} + 0.036\text{kg} = 0.986\text{kg}$

## 理論推力表

(單位：N)

| 氣缸內徑<br>(mm) | 動作方向 | 使用壓力 MPa           |                    |                    |                    |                    |                    |                    |                    |                    |                    |                    |
|--------------|------|--------------------|--------------------|--------------------|--------------------|--------------------|--------------------|--------------------|--------------------|--------------------|--------------------|--------------------|
|              |      | 0.1                | 0.15               | 0.2                | 0.3                | 0.4                | 0.5                | 0.6                | 0.7                | 0.8                | 0.9                | 1.0                |
| φ 20         | Push | 31.4               | 47.1               | 62.8               | 94.2               | $1.26 \times 10^2$ | $1.57 \times 10^2$ | $1.88 \times 10^2$ | $2.20 \times 10^2$ | $2.51 \times 10^2$ | $2.83 \times 10^2$ | $3.14 \times 10^2$ |
|              | Pull | 26.4               | 39.6               | 52.8               | 79.2               | $1.06 \times 10^2$ | $1.32 \times 10^2$ | $1.58 \times 10^2$ | $1.85 \times 10^2$ | $2.11 \times 10^2$ | $2.38 \times 10^2$ | $2.64 \times 10^2$ |
| φ 25         | Push | 49.1               | 73.6               | 98.2               | $1.47 \times 10^2$ | $1.96 \times 10^2$ | $2.45 \times 10^2$ | $2.95 \times 10^2$ | $3.44 \times 10^2$ | $3.93 \times 10^2$ | $4.42 \times 10^2$ | $4.91 \times 10^2$ |
|              | Pull | 41.2               | 61.9               | 82.5               | $1.24 \times 10^2$ | $1.65 \times 10^2$ | $2.06 \times 10^2$ | $2.47 \times 10^2$ | $2.89 \times 10^2$ | $3.30 \times 10^2$ | $3.71 \times 10^2$ | $4.12 \times 10^2$ |
| φ 32         | Push | 80.4               | $1.21 \times 10^2$ | $1.61 \times 10^2$ | $2.41 \times 10^2$ | $3.22 \times 10^2$ | $4.02 \times 10^2$ | $4.83 \times 10^2$ | $5.63 \times 10^2$ | $6.43 \times 10^2$ | $7.24 \times 10^2$ | $8.04 \times 10^2$ |
|              | Pull | 69.1               | $1.04 \times 10^2$ | $1.38 \times 10^2$ | $2.07 \times 10^2$ | $2.76 \times 10^2$ | $3.46 \times 10^2$ | $4.15 \times 10^2$ | $4.84 \times 10^2$ | $5.53 \times 10^2$ | $6.22 \times 10^2$ | $6.91 \times 10^2$ |
| φ 40         | Push | $1.26 \times 10^2$ | $1.88 \times 10^2$ | $2.51 \times 10^2$ | $3.77 \times 10^2$ | $5.03 \times 10^2$ | $6.28 \times 10^2$ | $7.54 \times 10^2$ | $8.80 \times 10^2$ | $1.01 \times 10^3$ | $1.13 \times 10^3$ | $1.26 \times 10^3$ |
|              | Pull | $1.06 \times 10^2$ | $1.58 \times 10^2$ | $2.11 \times 10^2$ | $3.17 \times 10^2$ | $4.22 \times 10^2$ | $5.28 \times 10^2$ | $6.33 \times 10^2$ | $7.39 \times 10^2$ | $8.44 \times 10^2$ | $9.50 \times 10^2$ | $1.06 \times 10^3$ |

## 外形尺寸圖

與複動、單側活塞桿型SCM系列相同。請參閱第226~237頁。

- SCP\*3
- CMK2
- CMA2
- SCM**
- SCG
- SCA2
- SCS2
- CKV2
- CAV2・COVPIN2
- SSD2
- SSG
- SSD
- CAT
- MDC2
- MVC
- SMG
- MSD・MSDG
- FC\*
- STK
- SRL3
- SRG3
- SRM3
- SRT3
- MRL2
- MRG2
- SM-25
- 緩衝器
- FJ
- FK
- 調速閥
- 卷尾

## 型號標示方法

無開關（內置開關用磁鐵）

SCM-F-LB-40-D-100-MI

附開關（內置開關用磁鐵）

SCM-F-LB-40-D-100-T2H-D-ZMI

機種型號 **A** 安裝型式  
註1

**B** 氣缸內徑

**C** 配管螺牙種類

**D** 緩衝

**E** 行程

**F** 開關型號  
註3  
註4

**I** 選購品

**J** 附屬品  
註6

### 選定型號時的注意事項

- 註1：安裝固定架將添附於產品內一併出貨。  
 註2：關於開關安裝數量及最小行程，請參閱第278頁。  
 註3：除了**F**所示的開關型號外，亦備有其他開關可供選擇。（接單生產）  
 詳細內容請參閱卷尾第1頁。  
 註4：若開關安裝方式採導軌方式，將無法搭載T8H/V。  
 註5：有關活塞桿前端外形製作規格，請參閱卷尾第85頁。  
 註6：開關安裝方式若選定「Z」，將無法選定添附開關導軌出貨「Q」之選項。  
 註7：無法同時選定I、Y。  
 註8：開關將添附於產品內一併出貨。如需組裝產品後出貨，請洽詢本公司。

### 〈型號標示範例〉

#### SCM-F-LB-40D-100-T2H-D-ZMI

機種：微型氣缸 複動型

- A** 安裝型式：軸向腳架型
- B** 氣缸內徑：φ40mm
- C** 配管螺牙種類：Rc螺牙
- D** 緩衝：附兩側橡膠緩衝
- E** 行程：100mm
- F** 開關型號：無接點T2H開關、導線1m
- G** 開關數量：附2個
- H** 開關安裝方式：綁帶方式
- I** 選購品：活塞桿材質（不鏽鋼）
- J** 附屬品：一山關節

**G** 開關數量

**H** 開關安裝方式  
註6

| 記號            | 內容      |
|---------------|---------|
| <b>A 安裝型式</b> |         |
| 00            | 基本型     |
| LB            | 軸向腳架型   |
| FA            | 活塞桿側法蘭型 |
| FB            | 頭蓋側法蘭型  |
| CA            | 一山吊耳型   |
| TA            | 活塞桿側耳軸型 |
| TB            | 頭蓋側耳軸型  |

| <b>B 氣缸內徑 (mm)</b> |     |
|--------------------|-----|
| 20                 | φ20 |
| 25                 | φ25 |
| 32                 | φ32 |
| 40                 | φ40 |

| <b>C 配管螺牙種類</b> |             |
|-----------------|-------------|
| 無記號             | Rc螺牙        |
| N               | NPT螺牙（接單生產） |
| G               | G螺牙（接單生產）   |

| <b>D 緩衝</b> |         |
|-------------|---------|
| D           | 附兩側橡膠緩衝 |

| <b>E 行程 (mm)</b> |        |         |
|------------------|--------|---------|
| 氣缸內徑             | 行程註2   | 中間行程    |
| φ20~φ40          | 10~500 | 以1mm為單位 |

| <b>F 開關型號</b> |       |     |    |                 |              |    |
|---------------|-------|-----|----|-----------------|--------------|----|
| 導線直型          | 導線L型  | 接點  | 電壓 |                 | 顯示           | 導線 |
|               |       |     | AC | DC              |              |    |
| T0H※          | T0V※  | 有接點 | ●  | ●               | 單色顯示方式       | 2線 |
| T5H※          | T5V※  |     | ●  | ●               | 無顯示燈         |    |
| T8H※          | T8V※  |     | ●  | ●               | 單色顯示方式       |    |
| T1H※          | T1V※  | 無接點 | ●  | ●               | 單色顯示方式       | 2線 |
| T2H※          | T2V※  |     | ●  | ●               |              |    |
| T3H※          | T3V※  |     | ●  | ●               | 單色顯示方式（接單生產） | 3線 |
| T3PH※         | T3PV※ |     | ●  | ●               |              |    |
| T2WH※         | T2WV※ |     | ●  | ●               | 雙色顯示方式       | 2線 |
| T2YH※         | T2YV※ |     | ●  | ●               |              |    |
| T3WH※         | T3WV※ | ●   | ●  |                 |              |    |
| T3YH※         | T3YV※ | ●   | ●  | 雙色顯示方式<br>交流磁場用 | 3線           |    |
| T2YD※         | —     | ●   | ●  |                 |              |    |
| T2YDT※        | —     | ●   | ●  |                 |              |    |
| T2JH※         | T2JV※ | ●   | ●  | 單色顯示方式斷電延遲型     | 2線           |    |

| ※導線長度 |         |
|-------|---------|
| 無記號   | 1m（標準）  |
| 3     | 3m（選購品） |
| 5     | 5m（選購品） |

| <b>G 開關數量</b> |                     |
|---------------|---------------------|
| R             | 活塞桿側附1個             |
| H             | 頭蓋側附1個              |
| D             | 附2個                 |
| T             | 附3個                 |
| 4             | 附4個（如為4個以上，則加入開關數量） |

| <b>H 開關安裝方式</b> |      |
|-----------------|------|
| 無記號             | 導軌方式 |
| Z               | 綁帶方式 |

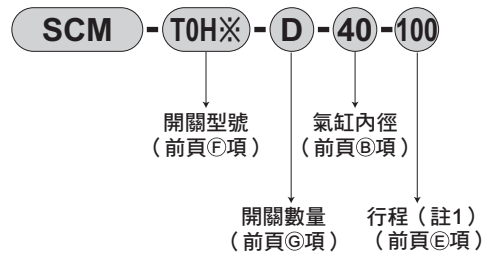
| <b>I 選購品</b> |            |
|--------------|------------|
| Q            | 開關導軌添附出貨   |
| M            | 活塞桿材質（不鏽鋼） |

| <b>J 附屬品</b> |       |
|--------------|-------|
| I            | 一山關節  |
| Y            | 二山關節  |
| B2           | 二山固定架 |

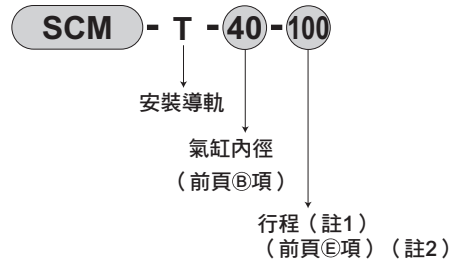
## 開關單品型號標示方法

〈開關安裝方式：導軌方式〉

- 開關本體+安裝導軌一式



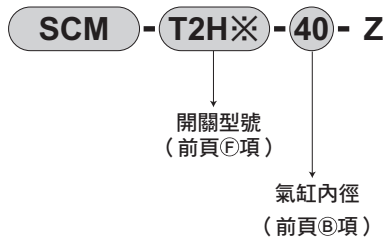
- 僅安裝導軌



- 註1：行程超出300mm者請標示X。  
行程超出300mm時，每個開關將添附1支短導軌（開關調整移動距離為100mm）。
- 註2：僅安裝導軌且標示為X時，請依照所使用的開關數量訂購相同數量的導軌。

〈開關安裝方式：綁帶方式〉

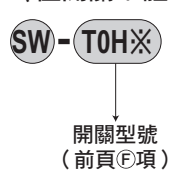
- 開關本體+安裝固定架一式+綁帶



- 安裝固定架一式+綁帶



〈僅開關本體〉



## 安裝固定架型號標示方法

| 氣缸內徑 (mm)   | φ 20      | φ 25      | φ 32      | φ 40      |
|-------------|-----------|-----------|-----------|-----------|
| 安裝固定架       |           |           |           |           |
| 腳架 (LB)     | SCM-LB-20 | SCM-LB-25 | SCM-LB-32 | SCM-LB-40 |
| 法蘭 (FA/FB)  | SCM-FA-20 | SCM-FA-25 | SCM-FA-32 | SCM-FA-40 |
| 一山吊耳 (CA)   | SCM-CA-20 | SCM-CA-25 | SCM-CA-32 | SCM-CA-40 |
| 二山吊耳 (CB)   | -         | -         | -         | -         |
| 耳軸型 (TA/TB) | SCM-TA-20 | SCM-TA-25 | SCM-TA-32 | SCM-TA-40 |

註1：各安裝固定架皆有添附安裝用螺栓。

- SCP※3
- CMK2
- CMA2
- SCM**
- SCG
- SCA2
- SCS2
- CKV2
- CAV2・COVPI2
- SSD2
- SSG
- SSD
- CAT
- MDC2
- MVC
- SMG
- MSD・MSDG
- FC※
- STK
- SRL3
- SRG3
- SRM3
- SRT3
- MRL2
- MRG2
- SM-25
- 緩衝器
- FJ
- FK
- 調速閥
- 卷尾

微型氣缸 複動、低速型

# SCM-O Series

- 氣缸內徑：φ 20、φ 25、φ 32、φ 40  
φ 50、φ 63、φ 80、φ 100

JIS記號



## 規格

| 項目     | SCM-O |                            |      |                   |                    |      |                   |       |       |
|--------|-------|----------------------------|------|-------------------|--------------------|------|-------------------|-------|-------|
| 氣缸內徑   | mm    | φ 20                       | φ 25 | φ 32              | φ 40               | φ 50 | φ 63              | φ 80  | φ 100 |
| 動作方式   |       | 複動、低速型                     |      |                   |                    |      |                   |       |       |
| 使用流體   |       | 壓縮空氣                       |      |                   |                    |      |                   |       |       |
| 最高使用壓力 | MPa   | 1.0                        |      |                   |                    |      |                   |       |       |
| 最低使用壓力 | MPa   | 0.1                        |      |                   |                    | 0.05 |                   |       |       |
| 耐壓力    | MPa   | 1.6                        |      |                   |                    |      |                   |       |       |
| 環境溫度   | °C    | -10~60 (避免結凍)              |      |                   |                    |      |                   |       |       |
| 連接口徑   |       | Rc1/8                      |      |                   | Rc1/4              |      | Rc3/8             | Rc1/2 |       |
| 行程容許差  | mm    | +1.4<br>0 (~1000)          |      | +1.4<br>0 (~1500) | +2.3<br>0 (~1000)、 |      | +2.7<br>0 (~1500) |       |       |
| 使用活塞速度 | mm/s  | 10~200 (使用時不得超過吸收能量的容許範圍。) |      |                   |                    |      |                   |       |       |
| 緩衝     |       | 橡膠緩衝                       |      |                   |                    |      |                   |       |       |
| 給油     |       | 不可                         |      |                   |                    |      |                   |       |       |
| 容許吸收能量 | J     | 0.11                       | 0.2  | 0.53              | 0.91               | 1.6  | 1.6               | 3.3   | 5.8   |

## 行程

| 氣缸內徑 (mm) | 標準行程 (mm)                              | 最大行程 (mm) | 最小行程 (mm) |
|-----------|--|-----------|-----------|
| φ 20      | 25、50、75<br>100、125、150<br>200、250、300 | 1000      | 10        |
| φ 25      |  |           |           |
| φ 32      |  |           |           |
| φ 40      |  |           |           |
| φ 50      | 1500                                   | 1500      | 10        |
| φ 63      |  |           |           |

註1：中間行程的製作規格間距為1mm。

## 開關安裝數量及最小行程 (mm)

● 開關安裝方式：導軌方式

| 開關數量<br>氣缸內徑<br>(mm) | 1     |         |      |     | 2     |         |      |     | 3     |         |      |     | 4     |         |      |     | 5     |         |      |     |
|----------------------|-------|---------|------|-----|-------|---------|------|-----|-------|---------|------|-----|-------|---------|------|-----|-------|---------|------|-----|
|                      | 無接點   |         |      | 有接點 | 無接點   |         |      | 有接點 | 無接點   |         |      | 有接點 | 無接點   |         |      | 有接點 | 無接點   |         |      | 有接點 |
|                      | T2,T3 | T2W,T3W | T※Y※ |     | T2,T3 | T2W,T3W | T※Y※ |     | T2,T3 | T2W,T3W | T※Y※ |     | T2,T3 | T2W,T3W | T※Y※ |     | T2,T3 | T2W,T3W | T※Y※ |     |
| φ 20                 | 10    |         |      | 25  | 25    |         |      | 50  | 70    |         |      | 55  | 70    |         |      | 55  | 75    |         |      | 90  |
| φ 25                 | 10    |         |      |     | 25    |         |      |     | 70    |         |      |     | 70    |         |      |     | 75    |         |      |     |
| φ 32                 | 10    |         |      | 25  | 25    |         |      | 50  | 70    |         |      | 55  | 70    |         |      | 55  | 75    |         |      | 90  |
| φ 40                 | 10    |         |      |     | 25    |         |      |     | 70    |         |      |     | 70    |         |      |     | 75    |         |      |     |
| φ 50                 | 10    |         |      | 25  | 25    |         |      | 50  | 65    |         |      | 55  | 65    |         |      | 55  | 75    |         |      | 90  |
| φ 63                 | 10    |         |      |     | 25    |         |      |     | 65    |         |      |     | 65    |         |      |     | 75    |         |      |     |
| φ 80                 | 10    |         |      | 25  | 25    |         |      | 50  | 65    |         |      | 55  | 65    |         |      | 55  | 75    |         |      | 90  |
| φ 100                | 10    |         |      |     | 25    |         |      |     | 65    |         |      |     | 65    |         |      |     | 75    |         |      |     |

● 開關安裝方式：綁帶方式

| 開關數量<br>氣缸內徑<br>(mm) | 1     |         |      |     | 2     |         |      |     | 3     |         |      |     | 4     |         |      |     | 5     |         |      |     |
|----------------------|-------|---------|------|-----|-------|---------|------|-----|-------|---------|------|-----|-------|---------|------|-----|-------|---------|------|-----|
|                      | 無接點   |         |      | 有接點 | 無接點   |         |      | 有接點 | 無接點   |         |      | 有接點 | 無接點   |         |      | 有接點 | 無接點   |         |      | 有接點 |
|                      | T2,T3 | T2W,T3W | T※Y※ |     | T2,T3 | T2W,T3W | T※Y※ |     | T2,T3 | T2W,T3W | T※Y※ |     | T2,T3 | T2W,T3W | T※Y※ |     | T2,T3 | T2W,T3W | T※Y※ |     |
| φ 20                 | 10    |         |      | 25  | 30    | 35      | 25   | 50  | 55    | 55      | 50   | 75  | 75    | 80      | 70   | 95  | 100   | 100     | 95   |     |
| φ 25                 | 10    |         |      |     | 30    | 35      | 25   |     | 55    | 55      | 50   |     | 75    | 75      | 80   |     | 70    | 95      | 100  | 100 |
| φ 32                 | 10    |         |      | 25  | 30    | 35      | 25   | 50  | 55    | 55      | 50   | 75  | 75    | 80      | 70   | 95  | 100   | 100     | 95   |     |
| φ 40                 | 10    |         |      |     | 30    | 35      | 25   |     | 55    | 55      | 50   |     | 75    | 75      | 80   |     | 70    | 95      | 100  | 100 |
| φ 50                 | 10    |         |      | 25  | 30    | 35      | 25   | 50  | 55    | 55      | 50   | 75  | 75    | 80      | 70   | 95  | 100   | 100     | 95   |     |
| φ 63                 | 10    |         |      |     | 30    | 35      | 25   |     | 55    | 55      | 50   |     | 75    | 75      | 80   |     | 70    | 95      | 100  | 100 |
| φ 83                 | 10    |         |      | 25  | 30    | 35      | 25   | 50  | 55    | 55      | 50   | 75  | 75    | 80      | 70   | 95  | 100   | 100     | 95   |     |
| φ 100                | 10    |         |      |     | 30    | 35      | 25   |     | 55    | 55      | 50   |     | 75    | 75      | 80   |     | 70    | 95      | 100  | 100 |

註1：由於附1個開關且行程10mm以上未滿25mm的規格，其開關導軌安裝位置會改變，因此無法製作安裝型式耳軸型。另外，安裝位置請參閱第329頁。



開關規格

● 單色/雙色顯示方式

| 項目   | 無接點2線式                           |                            |                             |                            | 無接點3線式                     |                             |                            |                            | 有接點2線式                     |                                |                 |                              | 無接點2線式       |                         |        |           |
|------|----------------------------------|----------------------------|-----------------------------|----------------------------|----------------------------|-----------------------------|----------------------------|----------------------------|----------------------------|--------------------------------|-----------------|------------------------------|--------------|-------------------------|--------|-----------|
|      | T1H・T1V                          | T2H・T2V<br>T2JH・T2JV       | T2YH・<br>T2YV               | T2WH・<br>T2WV              | T3H・T3V                    | T3PH・T3PV<br>(按壓生產)         | T3YH・<br>T3YV              | T3WH・<br>T3WV              | T0H・T0V                    | T5H・T5V                        | T8H・T8V         |                              | T2YD         |                         |        |           |
| 用途   | 可程式控制器<br>繼電器、小型電磁開用             |                            | 可程式控制器專用                    |                            | 可程式控制器、繼電器用                |                             |                            |                            | 可程式控制器、<br>繼電器用            | 可程式控制器、繼電器<br>IC選路(無顯示燈)、串聯連接用 | 可程式控制器、<br>繼電器用 |                              | 可程式<br>控制器專用 |                         |        |           |
| 輸出方式 | —                                |                            |                             |                            | NPN輸出                      | PNP輸出                       | NPN輸出                      | NPN輸出                      | —                          |                                |                 |                              | —            |                         |        |           |
| 電源電壓 | —                                |                            |                             |                            | DC10~28V                   |                             |                            |                            | —                          |                                |                 |                              | —            |                         |        |           |
| 負載電壓 | AC85~265V                        | DC10~30V                   | DC24V±10%                   |                            | DC30V以下                    |                             |                            |                            | DC12/24V                   | AC100/110V                     | DC5/12/24V      | AC100/110V                   | DC12/24V     | AC110V                  | AC220V | DC24V±10% |
| 負載電流 | 5~100mA                          | 5~20mA (註2)                |                             |                            | 100mA以下                    |                             | 50mA以下                     |                            | 5~50mA                     | 7~20mA                         | 50mA以下          | 20mA以下                       | 5~50mA       | 7~20mA                  | 7~10mA | 5~20mA    |
| 顯示燈  | LED<br>(ON時亮燈)                   | LED<br>(ON時亮燈)             | 紅色/綠色<br>LED<br>(ON時亮燈)     | 紅色/綠色<br>LED<br>(ON時亮燈)    | LED<br>(ON時亮燈)             | 黃色<br>LED<br>(ON時亮燈)        | 紅色/綠色<br>LED<br>(ON時亮燈)    | 紅色/綠色<br>LED<br>(ON時亮燈)    | LED<br>(ON時亮燈)             | 無顯示燈                           |                 | LED<br>(ON時亮燈)               |              | 紅色/綠色<br>LED<br>(ON時亮燈) |        |           |
| 漏電電流 | AC100V時電流小於1mA<br>AC200V時電流小於2mA | 1mA以下                      |                             |                            | 10μA以下                     |                             |                            |                            | 0mA                        |                                |                 |                              | 1mA以下        |                         |        |           |
| 重量 g | 1m: 33<br>3m: 87<br>5m: 142      | 1m: 18<br>3m: 49<br>5m: 80 | 1m: 33<br>3m: 87<br>5m: 142 | 1m: 18<br>3m: 49<br>5m: 80 | 1m: 18<br>3m: 49<br>5m: 80 | 1m: 33<br>3m: 87<br>5m: 142 | 1m: 18<br>3m: 87<br>5m: 80 | 1m: 18<br>3m: 49<br>5m: 80 | 1m: 18<br>3m: 49<br>5m: 80 | 1m: 33<br>3m: 87<br>5m: 142    |                 | 1m: 61<br>3m: 166<br>5m: 272 |              |                         |        |           |

註1: 其他開關規格, 請參閱卷尾第1頁。

註2: 上述負載電流的最大值: 20mA為溫度25°C時的數值。開關使用環境溫度若高於25°C, 電流將降至低於20mA。  
(溫度到達60°C時, 則電流為5~10mA。)

註3: T0/T5開關也可使用AC220V。關於使用條件, 請洽詢本公司。

註4: 交流磁場用開關(T2YD)於直流磁場環境下無法使用。

註5: 外形尺寸視開關型號而異。詳細內容請參閱卷尾第18頁。

氣缸重量

(單位: kg)

| 項目、安裝型式 | 行程 (S) =0mm時的產品重量 |            |             |      |             | 開關重量<br>(每1個)          | S=10mm時<br>的累計重量 | S=10mm時的<br>累計重量 (單開<br>單關) | 1個開關的<br>綁帶重量 |
|---------|-------------------|------------|-------------|------|-------------|------------------------|------------------|-----------------------------|---------------|
|         | 基本型 (00)          | 軸向腳架型 (LB) | 法蘭型 (FA/FB) | 吊耳型  | 耳軸型 (TA/TB) |                        |                  |                             |               |
| φ20     | 0.10              | 0.21       | 0.13        | 0.15 | 0.11        | 請參閱開關<br>規格內記載<br>的重量。 | 0.01             | 0.012                       | 0.007         |
| φ25     | 0.17              | 0.30       | 0.21        | 0.25 | 0.19        |                        | 0.014            | 0.016                       | 0.007         |
| φ32     | 0.26              | 0.42       | 0.32        | 0.41 | 0.29        |                        | 0.018            | 0.02                        | 0.007         |
| φ40     | 0.41              | 0.63       | 0.49        | 0.64 | 0.46        |                        | 0.03             | 0.032                       | 0.007         |
| φ50     | 0.77              | 1.25       | 1.11        | 1.17 | 0.91        |                        | 0.04             | 0.046                       | 0.008         |
| φ63     | 1.07              | 1.79       | 1.57        | 1.75 | 1.21        |                        | 0.052            | 0.054                       | 0.009         |
| φ80     | 2.04              | 3.00       | 2.75        | 2.75 | —           |                        | 0.07             | 0.072                       | 0.010         |
| φ100    | 3.17              | 4.92       | 4.52        | 4.45 | —           |                        | 0.098            | 0.10                        | 0.010         |

(範例) SCM-O-LB-40D-100-T2H-D的產品重量

- S=0mm時的產品重量 .....0.63kg
- S=100mm時的累計重量 ..... $0.032 \times \frac{100}{10} = 0.32\text{kg}$
- 2個開關的重量 .....0.036kg
- 產品重量 ..... $0.63\text{kg} + 0.32\text{kg} + 0.036 = 0.986\text{kg}$

理論推力表

(單位: N)

| 氣缸內徑<br>(mm) | 動作方向 | 使用壓力 MPa           |                    |                    |                    |                    |                    |                    |                    |                    |                    |                    |
|--------------|------|--------------------|--------------------|--------------------|--------------------|--------------------|--------------------|--------------------|--------------------|--------------------|--------------------|--------------------|
|              |      | 0.1                | 0.15               | 0.2                | 0.3                | 0.4                | 0.5                | 0.6                | 0.7                | 0.8                | 0.9                | 1.0                |
| φ20          | Push | 31.4               | 47.1               | 62.8               | 94.2               | $1.26 \times 10^2$ | $1.57 \times 10^2$ | $1.88 \times 10^2$ | $2.20 \times 10^2$ | $2.51 \times 10^2$ | $2.83 \times 10^2$ | $3.14 \times 10^2$ |
|              | Pull | 26.4               | 39.6               | 52.8               | 79.2               | $1.06 \times 10^2$ | $1.32 \times 10^2$ | $1.58 \times 10^2$ | $1.85 \times 10^2$ | $2.11 \times 10^2$ | $2.38 \times 10^2$ | $2.64 \times 10^2$ |
| φ25          | Push | 49.1               | 73.6               | 98.2               | $1.47 \times 10^2$ | $1.96 \times 10^2$ | $2.45 \times 10^2$ | $2.95 \times 10^2$ | $3.44 \times 10^2$ | $3.93 \times 10^2$ | $4.42 \times 10^2$ | $4.91 \times 10^2$ |
|              | Pull | 41.2               | 61.9               | 82.5               | $1.24 \times 10^2$ | $1.65 \times 10^2$ | $2.06 \times 10^2$ | $2.47 \times 10^2$ | $2.89 \times 10^2$ | $3.30 \times 10^2$ | $3.71 \times 10^2$ | $4.12 \times 10^2$ |
| φ32          | Push | 80.4               | $1.21 \times 10^2$ | $1.61 \times 10^2$ | $2.41 \times 10^2$ | $3.22 \times 10^2$ | $4.02 \times 10^2$ | $4.83 \times 10^2$ | $5.63 \times 10^2$ | $6.43 \times 10^2$ | $7.24 \times 10^2$ | $8.04 \times 10^2$ |
|              | Pull | 69.1               | $1.04 \times 10^2$ | $1.38 \times 10^2$ | $2.07 \times 10^2$ | $2.76 \times 10^2$ | $3.46 \times 10^2$ | $4.15 \times 10^2$ | $4.84 \times 10^2$ | $5.53 \times 10^2$ | $6.22 \times 10^2$ | $6.91 \times 10^2$ |
| φ40          | Push | $1.26 \times 10^2$ | $1.88 \times 10^2$ | $2.51 \times 10^2$ | $3.77 \times 10^2$ | $5.03 \times 10^2$ | $6.28 \times 10^2$ | $7.54 \times 10^2$ | $8.80 \times 10^2$ | $1.01 \times 10^3$ | $1.13 \times 10^3$ | $1.26 \times 10^3$ |
|              | Pull | $1.06 \times 10^2$ | $1.58 \times 10^2$ | $2.11 \times 10^2$ | $3.17 \times 10^2$ | $4.22 \times 10^2$ | $5.28 \times 10^2$ | $6.33 \times 10^2$ | $7.39 \times 10^2$ | $8.44 \times 10^2$ | $9.50 \times 10^2$ | $1.06 \times 10^3$ |
| φ50          | Push | $1.96 \times 10^2$ | $2.95 \times 10^2$ | $3.93 \times 10^2$ | $5.89 \times 10^2$ | $7.85 \times 10^2$ | $9.82 \times 10^2$ | $1.18 \times 10^3$ | $1.37 \times 10^3$ | $1.57 \times 10^3$ | $1.77 \times 10^3$ | $1.96 \times 10^3$ |
|              | Pull | $1.65 \times 10^2$ | $2.47 \times 10^2$ | $3.30 \times 10^2$ | $4.95 \times 10^2$ | $6.60 \times 10^2$ | $8.25 \times 10^2$ | $9.90 \times 10^2$ | $1.15 \times 10^3$ | $1.32 \times 10^3$ | $1.48 \times 10^3$ | $1.65 \times 10^3$ |
| φ63          | Push | $3.12 \times 10^2$ | $4.68 \times 10^2$ | $6.23 \times 10^2$ | $9.35 \times 10^2$ | $1.25 \times 10^3$ | $1.56 \times 10^3$ | $1.87 \times 10^3$ | $2.18 \times 10^3$ | $2.49 \times 10^3$ | $2.81 \times 10^3$ | $3.12 \times 10^3$ |
|              | Pull | $2.80 \times 10^2$ | $4.20 \times 10^2$ | $5.61 \times 10^2$ | $8.41 \times 10^2$ | $1.12 \times 10^3$ | $1.40 \times 10^3$ | $1.68 \times 10^3$ | $1.96 \times 10^3$ | $2.24 \times 10^3$ | $2.52 \times 10^3$ | $2.80 \times 10^3$ |
| φ80          | Push | $5.03 \times 10^2$ | $7.54 \times 10^2$ | $1.01 \times 10^3$ | $1.51 \times 10^3$ | $2.01 \times 10^3$ | $2.51 \times 10^3$ | $3.02 \times 10^3$ | $3.52 \times 10^3$ | $4.02 \times 10^3$ | $4.52 \times 10^3$ | $5.03 \times 10^3$ |
|              | Pull | $4.54 \times 10^2$ | $6.80 \times 10^2$ | $9.07 \times 10^2$ | $1.36 \times 10^3$ | $1.81 \times 10^3$ | $2.27 \times 10^3$ | $2.72 \times 10^3$ | $3.17 \times 10^3$ | $3.63 \times 10^3$ | $4.08 \times 10^3$ | $4.54 \times 10^3$ |
| φ100         | Push | $7.85 \times 10^2$ | $1.18 \times 10^3$ | $1.57 \times 10^3$ | $2.36 \times 10^3$ | $3.14 \times 10^3$ | $3.93 \times 10^3$ | $4.71 \times 10^3$ | $5.50 \times 10^3$ | $6.28 \times 10^3$ | $7.07 \times 10^3$ | $7.85 \times 10^3$ |
|              | Pull | $7.15 \times 10^2$ | $1.07 \times 10^3$ | $1.43 \times 10^3$ | $2.14 \times 10^3$ | $2.86 \times 10^3$ | $3.57 \times 10^3$ | $4.29 \times 10^3$ | $5.00 \times 10^3$ | $5.72 \times 10^3$ | $6.43 \times 10^3$ | $7.15 \times 10^3$ |

## 型號標示方法

無開關（內置開關用磁鐵）

SCM-O-LB-40-D-100-J-I

附開關（內置開關用磁鐵）

SCM-O-LB-40-D-100-T2H-D-J-I

A 安裝型式  
註1

B 氣缸內徑

C 配管螺牙種類

D 緩衝

E 行程

F 開關型號  
註4  
註5

G 開關數量

H 開關安裝方式

I 選購品  
註2  
註6  
註8

J 附屬品  
註9

### 選定型號時的注意事項

- 註1：安裝固定架將添附於產品內一併出貨。  
 註2：防塵套且安裝固定架為LB、FA、TA時，為組裝後出貨。  
 註3：關於開關安裝數量及最小行程，請參閱第282頁。  
 註4：除了F所示的開關型號外，亦備有其他開關可供選擇。（接單生產）  
 詳細內容請參閱卷尾第1頁。  
 註5：若氣缸內徑為φ20~φ40且開關安裝方式採導軌方式，將無法配置T8H/V開關。  
 註6：瞬間最高溫度是指火花或切削粉末等瞬間接觸到防塵套時的溫度。  
 註7：有關活塞桿前端外形製作規格，請參閱卷尾第85頁。  
 註8：開關安裝方式若選定「Z」，將無法選定添附開關導軌出貨「Q」之選項。  
 註9：無法同時選定「I」和「Y」。  
 註10：開關將添附於產品內一併出貨。如需組裝產品後出貨，請洽詢本公司。

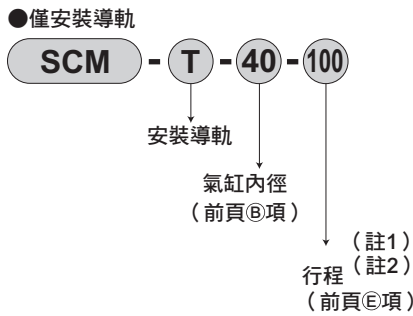
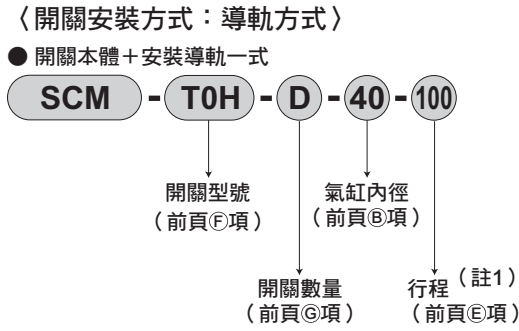
### 〈型號標示範例〉

SCM-O-LB-40D-100-T2H-D-JI

- A 安裝型式：軸向腳架型  
 B 氣缸內徑：φ40mm  
 C 配管螺牙種類：Rc螺牙  
 D 緩衝：附兩側橡膠緩衝  
 E 行程：100mm  
 F 開關型號：無接點T2H開關、導線1m  
 G 開關數量：附2個  
 H 開關安裝方式：導軌方式  
 I 選購品：防塵套材質、最高環境溫度60°C用  
 J 附屬品：一山關節

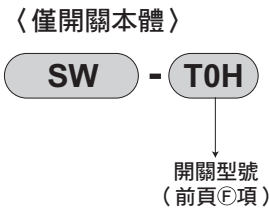
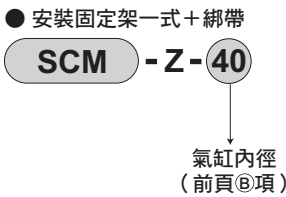
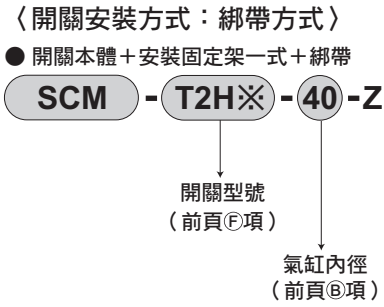
| 記號                     | 內容              |         |    |        |               |    |    |    |     |
|------------------------|-----------------|---------|----|--------|---------------|----|----|----|-----|
| <b>A 安裝型式</b>          |                 |         |    |        |               |    |    |    |     |
| 氣缸內徑 (φ)               |                 | 20      | 25 | 32     | 40            | 50 | 63 | 80 | 100 |
| 00                     | 基本型             | ●       | ●  | ●      | ●             | ●  | ●  | ●  | ●   |
| LB                     | 軸向腳架型           | ●       | ●  | ●      | ●             | ●  | ●  | ●  | ●   |
| FA                     | 活塞桿側法蘭型         | ●       | ●  | ●      | ●             | ●  | ●  | ●  | ●   |
| FB                     | 頭蓋側法蘭型          | ●       | ●  | ●      | ●             | ●  | ●  | ●  | ●   |
| CA                     | 一山吊耳型           | ●       | ●  | ●      | ●             | ●  | ●  | ●  | ●   |
| CB                     | 二山吊耳型 (添附插銷及止環) |         |    |        |               |    |    | ●  | ●   |
| TA                     | 活塞桿側耳軸型         | ●       | ●  | ●      | ●             | ●  | ●  | ●  | ●   |
| TB                     | 頭蓋側耳軸型          | ●       | ●  | ●      | ●             | ●  | ●  | ●  | ●   |
| <b>B 氣缸內徑 (mm)</b>     |                 |         |    |        |               |    |    |    |     |
| 20                     | φ 20            |         |    |        |               |    |    |    |     |
| 25                     | φ 25            |         |    |        |               |    |    |    |     |
| 32                     | φ 32            |         |    |        |               |    |    |    |     |
| 40                     | φ 40            |         |    |        |               |    |    |    |     |
| 50                     | φ 50            |         |    |        |               |    |    |    |     |
| 63                     | φ 63            |         |    |        |               |    |    |    |     |
| 80                     | φ 80            |         |    |        |               |    |    |    |     |
| 100                    | φ 100           |         |    |        |               |    |    |    |     |
| <b>C 配管螺牙種類</b>        |                 |         |    |        |               |    |    |    |     |
| 無記號 Rc螺牙               |                 |         |    |        |               |    |    |    |     |
| N NPT螺牙 (接單生產)         |                 |         |    |        |               |    |    |    |     |
| G G螺牙 (接單生產)           |                 |         |    |        |               |    |    |    |     |
| <b>D 緩衝</b>            |                 |         |    |        |               |    |    |    |     |
| D 附兩側橡膠緩衝              |                 |         |    |        |               |    |    |    |     |
| <b>E 行程 (mm)</b>       |                 |         |    |        |               |    |    |    |     |
| 氣缸內徑                   |                 | 行程註2    |    |        | 中間行程          |    |    |    |     |
| φ 20~φ 32              |                 | 10~1000 |    |        | 以1mm為單位       |    |    |    |     |
| φ 40~φ 100             |                 | 10~1500 |    |        |               |    |    |    |     |
| <b>F 開關型號</b>          |                 |         |    |        |               |    |    |    |     |
| 導線直型                   | 導線L型            | 接點      | 電壓 |        | 顯示            |    | 導線 |    |     |
| T0H※                   | T0V※            | 有接點     | AC | DC     | 單色顯示方式        |    | 2線 |    |     |
| T5H※                   | T5V※            |         | ●  | ●      | 無顯示燈          |    |    |    |     |
| T8H※                   | T8V※            |         | ●  | ●      | 單色顯示方式        |    |    |    |     |
| T1H※                   | T1V※            | 無接點     | ●  | ●      | 單色顯示方式        |    | 2線 |    |     |
| T2H※                   | T2V※            |         | ●  | ●      | 單色顯示方式 (接單生產) |    | 3線 |    |     |
| T3H※                   | T3V※            |         | ●  | ●      | 雙色顯示方式        |    | 2線 |    |     |
| T3PH※                  | T3PV※           |         | ●  | ●      | 雙色顯示方式        |    | 3線 |    |     |
| T2WH※                  | T2WV※           |         | ●  | ●      | 雙色顯示方式        |    | 2線 |    |     |
| T2YH※                  | T2YV※           |         | ●  | ●      | 雙色顯示方式        |    | 3線 |    |     |
| T3WH※                  | T3WV※           |         | ●  | ●      | 雙色顯示方式        |    | 2線 |    |     |
| T3YH※                  | T3YV※           |         | ●  | ●      | 交流磁場用         |    | 2線 |    |     |
| T2YD※                  | -               |         | ●  | ●      | 單色顯示方式斷電延遲型   |    | 2線 |    |     |
| T2YDT※                 | -               |         | ●  | ●      |               |    |    |    |     |
| T2JH※                  | T2JV※           | ●       | ●  |        |               |    |    |    |     |
| <b>※導線長度</b>           |                 |         |    |        |               |    |    |    |     |
| 無記號 1m (標準)            |                 |         |    |        |               |    |    |    |     |
| 3 3m (選購品)             |                 |         |    |        |               |    |    |    |     |
| 5 5m (選購品)             |                 |         |    |        |               |    |    |    |     |
| <b>G 開關數量</b>          |                 |         |    |        |               |    |    |    |     |
| R 活塞桿側附1個              |                 |         |    |        |               |    |    |    |     |
| H 頭蓋側附1個               |                 |         |    |        |               |    |    |    |     |
| D 附2個                  |                 |         |    |        |               |    |    |    |     |
| T 附3個                  |                 |         |    |        |               |    |    |    |     |
| 4 附4個 (如為4個以上，則加入開關數量) |                 |         |    |        |               |    |    |    |     |
| <b>H 開關安裝方式</b>        |                 |         |    |        |               |    |    |    |     |
| 無記號 導軌方式               |                 |         |    |        |               |    |    |    |     |
| Z 綁帶方式                 |                 |         |    |        |               |    |    |    |     |
| <b>I 選購品</b>           |                 |         |    |        |               |    |    |    |     |
|                        |                 | 最高環境溫度  |    | 瞬間最高溫度 |               |    |    |    |     |
| J                      | 防塵套             | 60°C    |    | 100°C  |               |    |    |    |     |
| K                      | 防塵套             | 100°C   |    | 200°C  |               |    |    |    |     |
| L                      | 防塵套             | 250°C   |    | 400°C  |               |    |    |    |     |
| Q 開關導軌添附出貨             |                 |         |    |        |               |    |    |    |     |
| M 活塞桿材質 (不鏽鋼)          |                 |         |    |        |               |    |    |    |     |
| <b>J 附屬品</b>           |                 |         |    |        |               |    |    |    |     |
| 氣缸內徑 (φ)               |                 | 20      | 25 | 32     | 40            | 50 | 63 | 80 | 100 |
| I                      | 一山關節            | ●       | ●  | ●      | ●             | ●  | ●  | ●  | ●   |
| Y                      | 二山關節 (添附插銷及止環)  | ●       | ●  | ●      | ●             | ●  | ●  | ●  | ●   |
| B1                     | 一山固定架           |         |    |        |               |    |    | ●  | ●   |
| B2                     | 二山固定架           | ●       | ●  | ●      | ●             | ●  | ●  | ●  | ●   |

## 開關單品型號標示方法



註1：行程超出300mm者請標示X。行程超出300mm時，每一個開關將附有1支短導軌（開關調整移動距離為100mm）。

註2：僅安裝導軌且標示為X時，請依照所使用的開關數量訂購相同數量的導軌。



## 安裝固定架型號標示方法

| 氣缸內徑 (mm)   | φ 20      | φ 25      | φ 32      | φ 40      | φ 50      | φ 63      | φ 80      | φ 100      |
|-------------|-----------|-----------|-----------|-----------|-----------|-----------|-----------|------------|
| 腳架 (LB)     | SCM-LB-20 | SCM-LB-25 | SCM-LB-32 | SCM-LB-40 | SCM-LB-50 | SCM-LB-63 | SCM-LB-80 | SCM-LB-100 |
| 法蘭 (FA/FB)  | SCM-FA-20 | SCM-FA-25 | SCM-FA-32 | SCM-FA-40 | SCM-FA-50 | SCM-FA-63 | SCM-FA-80 | SCM-FA-100 |
| 一山吊耳 (CA)   | SCM-CA-20 | SCM-CA-25 | SCM-CA-32 | SCM-CA-40 | SCM-CA-50 | SCM-CA-63 | -         | -          |
| 二山吊耳 (CB)   | -         | -         | -         | -         | -         | -         | SCM-CB-80 | SCM-CB-100 |
| 耳軸型 (TA/TB) | SCM-TA-20 | SCM-TA-25 | SCM-TA-32 | SCM-TA-40 | SCM-TA-50 | SCM-TA-63 | -         | -          |

註1：各安裝固定架皆有添附安裝用螺栓。

註2：腳架型安裝固定架為每組2個。

## 內部結構圖

與標準型相同。請參閱第222頁。

## 消耗性零件一覽表

| 氣缸內徑 (mm) | 套件編號       | 消耗性零件編號     |
|-----------|------------|-------------|
| φ 20      | SCM-O-20K  | 3 6 8 10 13 |
| φ 25      | SCM-O-25K  |             |
| φ 32      | SCM-O-32K  |             |
| φ 40      | SCM-O-40K  |             |
| φ 50      | SCM-O-50K  |             |
| φ 63      | SCM-O-63K  |             |
| φ 80      | SCM-O-80K  |             |
| φ 100     | SCM-O-100K |             |

## 外形尺寸圖

與標準型相同。請參閱第224~237頁。

- SCP※3
- CMK2
- CMA2
- SCM**
- SCG
- SCA2
- SCS2
- CKV2
- CAV2・COV/PIN2
- SSD2
- SSG
- SSD
- CAT
- MDC2
- MVC
- SMG
- MSD・MSDG
- FC※
- STK
- SRL3
- SRG3
- SRM3
- SRT3
- MRL2
- MRG2
- SM-25
- 緩衝器
- FJ
- FK
- 調速閥
- 卷尾

微型氣缸 複動、低摩擦型

# SCM-U Series

- 氣缸內徑：φ 20、φ 25、φ 32、φ 40  
φ 50、φ 63、φ 80、φ 100

JIS記號



## 規格

| 項目     | SCM-U |                             |      |      |                |       |                                |       |       |
|--------|-------|-----------------------------|------|------|----------------|-------|--------------------------------|-------|-------|
| 氣缸內徑   | mm    | φ 20                        | φ 25 | φ 32 | φ 40           | φ 50  | φ 63                           | φ 80  | φ 100 |
| 動作方式   |       | 複動、低摩擦型                     |      |      |                |       |                                |       |       |
| 使用流體   |       | 壓縮空氣                        |      |      |                |       |                                |       |       |
| 最高使用壓力 | MPa   | 0.7                         |      |      |                |       |                                |       |       |
| 最低使用壓力 | MPa   | 0.03                        |      |      |                |       |                                |       |       |
| 耐壓力    | MPa   | 1.0                         |      |      |                |       |                                |       |       |
| 環境溫度   | °C    | 5~60                        |      |      |                |       |                                |       |       |
| 連接口徑   |       | Rc1/8                       |      |      |                | Rc1/4 |                                | Rc3/8 | Rc1/2 |
| 行程容許差  | mm    | $+1.4$ (~1000)              |      |      | $+1.4$ (~1500) |       | $+2.3$ (~1000)、 $+2.7$ (~1500) |       |       |
| 使用活塞速度 | mm/s  | 10~1000 (使用時不得超過吸收能量的容許範圍。) |      |      |                |       |                                |       |       |
| 緩衝     |       | 橡膠緩衝                        |      |      |                |       |                                |       |       |
| 給油     |       | 不可                          |      |      |                |       |                                |       |       |
| 容許吸收能量 | J     | 0.1                         | 0.2  | 0.5  | 0.9            | 1.6   | 1.6                            | 3.3   | 5.8   |
| 內部洩漏量  | ∅/min | 5                           |      |      |                |       |                                | 8     |       |

## 行程

| 氣缸內徑 (mm) | 標準行程 (mm)                                | 最大行程 (mm) | 最小行程 (mm) |
|-----------|--|-----------|-----------|
| φ 20      | 25、50、75、100、<br>125、150、200、<br>250、300 | 1000      | 10        |
| φ 25      |  |           |           |
| φ 32      |  |           |           |
| φ 40      |  |           |           |
| φ 50      |  |           |           |
| φ 63      |  |           |           |
| φ 80      | 1500                                     | 10        |           |
| φ 100     |  |           |           |

註1：中間行程的製作規格間距為1mm。

## 開關安裝數量及最小行程 (mm)

● 開關安裝方式：導軌方式

| 開關數量<br>氣缸內徑<br>(mm) | 1     |         |      |     | 2     |         |      |     | 3     |         |      |     | 4     |         |      |     | 5     |         |      |     |
|----------------------|-------|---------|------|-----|-------|---------|------|-----|-------|---------|------|-----|-------|---------|------|-----|-------|---------|------|-----|
|                      | 無接點   |         |      | 有接點 | 無接點   |         |      | 有接點 | 無接點   |         |      | 有接點 | 無接點   |         |      | 有接點 | 無接點   |         |      | 有接點 |
|                      | T2,T3 | T2W,T3W | T※Y※ |     | T2,T3 | T2W,T3W | T※Y※ |     | T2,T3 | T2W,T3W | T※Y※ |     | T2,T3 | T2W,T3W | T※Y※ |     | T2,T3 | T2W,T3W | T※Y※ |     |
| φ 20                 | 10    |         |      |     | 25    |         |      |     | 50    | 70      | 70   | 55  | 55    | 70      | 70   | 55  | 75    | 110     | 110  | 90  |
| φ 25                 | 10    |         |      |     | 25    |         |      |     | 50    | 70      | 70   | 55  | 55    | 70      | 70   | 55  | 75    | 110     | 110  | 90  |
| φ 32                 | 10    |         |      |     | 25    |         |      |     | 50    | 70      | 70   | 55  | 55    | 70      | 70   | 55  | 75    | 110     | 110  | 90  |
| φ 40                 | 10    |         |      |     | 25    |         |      |     | 50    | 70      | 70   | 55  | 55    | 70      | 70   | 55  | 75    | 110     | 110  | 90  |
| φ 50                 | 10    |         |      |     | 25    |         |      |     | 50    | 65      | 65   | 55  | 55    | 65      | 65   | 55  | 75    | 110     | 110  | 90  |
| φ 63                 | 10    |         |      |     | 25    |         |      |     | 50    | 65      | 65   | 55  | 55    | 65      | 65   | 55  | 75    | 110     | 110  | 90  |
| φ 80                 | 10    |         |      |     | 25    |         |      |     | 50    | 65      | 65   | 55  | 55    | 65      | 65   | 55  | 75    | 110     | 110  | 90  |
| φ 100                | 10    |         |      |     | 25    |         |      |     | 50    | 65      | 65   | 55  | 55    | 65      | 65   | 55  | 75    | 110     | 110  | 90  |

● 開關安裝方式：綁帶方式

| 開關數量<br>氣缸內徑<br>(mm) | 1     |         |      |     | 2     |         |      |     | 3     |         |      |     | 4     |         |      |     | 5     |         |      |     |
|----------------------|-------|---------|------|-----|-------|---------|------|-----|-------|---------|------|-----|-------|---------|------|-----|-------|---------|------|-----|
|                      | 無接點   |         |      | 有接點 | 無接點   |         |      | 有接點 | 無接點   |         |      | 有接點 | 無接點   |         |      | 有接點 | 無接點   |         |      | 有接點 |
|                      | T2,T3 | T2W,T3W | T※Y※ |     | T2,T3 | T2W,T3W | T※Y※ |     | T2,T3 | T2W,T3W | T※Y※ |     | T2,T3 | T2W,T3W | T※Y※ |     | T2,T3 | T2W,T3W | T※Y※ |     |
| 緩衝器                  | 10    |         |      |     | 25    | 30      | 35   | 25  | 50    | 55      | 55   | 50  | 75    | 75      | 80   | 70  | 95    | 100     | 100  | 95  |
| φ 20                 | 10    |         |      |     | 25    | 30      | 35   | 25  | 50    | 55      | 55   | 50  | 75    | 75      | 80   | 70  | 95    | 100     | 100  | 95  |
| φ 25                 | 10    |         |      |     | 25    | 30      | 35   | 25  | 50    | 55      | 55   | 50  | 75    | 75      | 80   | 70  | 95    | 100     | 100  | 95  |
| φ 32                 | 10    |         |      |     | 25    | 30      | 35   | 25  | 50    | 55      | 55   | 50  | 75    | 75      | 80   | 70  | 95    | 100     | 100  | 95  |
| φ 40                 | 10    |         |      |     | 25    | 30      | 35   | 25  | 50    | 55      | 55   | 50  | 75    | 75      | 80   | 70  | 95    | 100     | 100  | 95  |
| φ 50                 | 10    |         |      |     | 25    | 30      | 35   | 25  | 50    | 55      | 55   | 50  | 75    | 75      | 80   | 70  | 95    | 100     | 100  | 95  |
| φ 63                 | 10    |         |      |     | 25    | 30      | 35   | 25  | 50    | 55      | 55   | 50  | 75    | 75      | 80   | 70  | 95    | 100     | 100  | 95  |
| φ 83                 | 10    |         |      |     | 25    | 30      | 35   | 25  | 50    | 55      | 55   | 50  | 75    | 75      | 80   | 70  | 95    | 100     | 100  | 95  |
| φ 100                | 10    |         |      |     | 25    | 30      | 35   | 25  | 50    | 55      | 55   | 50  | 75    | 75      | 80   | 70  | 95    | 100     | 100  | 95  |

註1：由於附1個開關且行程10mm以上未滿25mm的規格，其開關導軌安裝位置會改變，因此無法製作安裝型式耳軸型。另外，安裝位置請參閱第329頁。

## 開關規格

● 單色/雙色顯示方式

| 項目   | 無接點2線式                           |                       | 無接點2線式                  |                         |                |                      | 無接點3線式                  |                         |                |                 | 有接點2線式     |                                |                |             |          |                         | 無接點2線式       |
|------|----------------------------------|-----------------------|-------------------------|-------------------------|----------------|----------------------|-------------------------|-------------------------|----------------|-----------------|------------|--------------------------------|----------------|-------------|----------|-------------------------|--------------|
|      | T1H・T1V                          | T2H・T2V・<br>T2JH・T2JV | T2YH・<br>T2YV           | T2WH・<br>T2WV           | T3H・T3V        | T3PH・T3PV<br>(按壓生產)  | T3YH・<br>T3YV           | T3WH・<br>T3WV           | T0H・T0V        | T5H・T5V         |            | T8H・T8V                        |                |             | T2YD     |                         |              |
| 用途   | 可程式控制器<br>繼電器、小型電磁開關             | 可程式控制器專用              |                         |                         |                | 可程式控制器、繼電器用          |                         |                         |                | 可程式控制器、<br>繼電器用 |            | 可程式控制器、繼電器<br>IC選路(無顯示燈)、串聯連接用 |                | 可程式控制器、繼電器用 |          |                         | 可程式<br>控制器專用 |
| 輸出方式 | —                                |                       |                         |                         | NPN輸出          | PNP輸出                | NPN輸出                   | NPN輸出                   | —              |                 |            |                                |                |             | —        |                         |              |
| 電源電壓 | —                                |                       |                         |                         | DC10~28V       |                      |                         |                         | —              |                 |            |                                |                |             | —        |                         |              |
| 負載電壓 | AC85~265V                        | DC10~30V              | DC24V±10%               |                         | DC30V以下        |                      |                         |                         | DC12/24V       | AC100/110V      | DC5/12/24V | AC100/110V                     | DC12/24V       | AC110V      | AC220V   | DC24V±10%               |              |
| 負載電流 | 5~100mA                          | 5~20mA (註2)           |                         |                         |                | 100mA以下              |                         | 50mA以下                  |                | 5~50mA          | 7~20mA     | 50mA以下                         | 20mA以下         | 5~50mA      | 7~20mA   | 7~10mA                  | 5~20mA       |
| 顯示燈  | LED<br>(ON時亮燈)                   | LED<br>(ON時亮燈)        | 紅色/綠色<br>LED<br>(ON時亮燈) | 紅色/綠色<br>LED<br>(ON時亮燈) | LED<br>(ON時亮燈) | 黃色<br>LED<br>(ON時亮燈) | 紅色/綠色<br>LED<br>(ON時亮燈) | 紅色/綠色<br>LED<br>(ON時亮燈) | LED<br>(ON時亮燈) |                 | 無顯示燈       |                                | LED<br>(ON時亮燈) |             |          | 紅色/綠色<br>LED<br>(ON時亮燈) |              |
| 漏電電流 | AC100V時電流小於1mA<br>AC200V時電流小於2mA | 1mA以下                 |                         |                         |                | 10μA以下               |                         |                         |                | 0mA             |            |                                |                |             |          | 1mA以下                   |              |
| 重量 g | 1m : 33                          | 1m : 18               | 1m : 33                 | 1m : 18                 | 1m : 18        |                      | 1m : 33                 | 1m : 18                 | 1m : 18        |                 | 3m : 49    |                                | 5m : 80        | 1m : 33     |          | 1m : 61                 |              |
|      | 3m : 87                          | 3m : 49               | 3m : 87                 | 3m : 49                 | 3m : 49        |                      | 3m : 87                 | 3m : 49                 | 3m : 49        |                 | 5m : 80    |                                | 3m : 87        |             | 3m : 166 |                         |              |
|      | 5m : 142                         | 5m : 80               | 5m : 142                | 5m : 80                 | 5m : 80        |                      | 5m : 142                | 5m : 80                 | 5m : 80        |                 | 5m : 80    |                                | 5m : 142       |             | 5m : 272 |                         |              |

註1：其他開關規格，請參閱卷尾第1頁。

註2：上述負載電流的最大值：20mA為溫度25°C時的數值。開關使用環境溫度若高於25°C，電流將降至低於20mA。  
(溫度到達60°C時，則電流為5~10mA。)

註3：T0/T5開關也可使用AC220V。關於使用條件，請洽詢本公司。

註4：交流磁場用開關(T2YD)於直流磁場環境下無法使用。

註5：外形尺寸視開關型號而異。詳細內容請參閱卷尾第18頁。

## 氣缸重量

(單位：kg)

| 項目、安裝型式 | 行程(S)=0mm時的產品重量 |           |            |      |            | 開關重量<br>(每1個)          | S=10mm時<br>的累計重量 | S=10mm時的<br>累計重量(帶<br>前蓋) | 1個開關的<br>綁帶重量 |
|---------|-----------------|-----------|------------|------|------------|------------------------|------------------|---------------------------|---------------|
|         | 基本型(00)         | 軸向腳架型(LB) | 法蘭型(FA/FB) | 吊耳型  | 耳軸型(TA/TB) |                        |                  |                           |               |
| φ20     | 0.10            | 0.21      | 0.13       | 0.15 | 0.11       | 請參閱開關<br>規格內記載<br>的重量。 | 0.01             | 0.012                     | 0.007         |
| φ25     | 0.17            | 0.30      | 0.21       | 0.25 | 0.19       |                        | 0.014            | 0.016                     | 0.007         |
| φ32     | 0.26            | 0.42      | 0.32       | 0.41 | 0.29       |                        | 0.018            | 0.02                      | 0.007         |
| φ40     | 0.41            | 0.63      | 0.49       | 0.64 | 0.46       |                        | 0.03             | 0.032                     | 0.007         |
| φ50     | 0.77            | 1.25      | 1.11       | 1.17 | 0.91       |                        | 0.044            | 0.046                     | 0.008         |
| φ63     | 1.07            | 1.79      | 1.57       | 1.75 | 1.21       |                        | 0.052            | 0.054                     | 0.009         |
| φ80     | 2.04            | 3.00      | 2.75       | 2.75 | —          |                        | 0.07             | 0.072                     | 0.010         |
| φ100    | 3.17            | 4.92      | 4.52       | 4.45 | —          |                        | 0.098            | 0.10                      | 0.010         |

(範例) SCM-U-LB-40D-100-T2H-D的產品重量

$$\left\{ \begin{array}{l} S=0mm時的產品重量 \cdots \cdots \cdots 0.63kg \\ S=100mm時的累計重量 \cdots \cdots \cdots 0.032 \times \frac{100}{10} = 0.32kg \\ 2個開關的重量 \cdots \cdots \cdots 0.036kg \\ 產品重量 \cdots \cdots \cdots 0.63kg + 0.32kg + 0.036 = 0.986kg \end{array} \right.$$

## 理論推力表

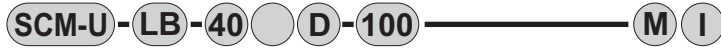
(單位：N)

| 氣缸內徑<br>(mm) | 動作方向 | 使用壓力 MPa             |                      |                      |                      |                      |                      |                      |                      |                      |                      |                      |
|--------------|------|----------------------|----------------------|----------------------|----------------------|----------------------|----------------------|----------------------|----------------------|----------------------|----------------------|----------------------|
|              |      | 0.1                  | 0.15                 | 0.2                  | 0.3                  | 0.4                  | 0.5                  | 0.6                  | 0.7                  | 0.8                  | 0.9                  | 1.0                  |
| φ20          | Push | 31.4                 | 47.1                 | 62.8                 | 94.2                 | 1.26×10 <sup>2</sup> | 1.57×10 <sup>2</sup> | 1.88×10 <sup>2</sup> | 2.20×10 <sup>2</sup> | 2.51×10 <sup>2</sup> | 2.83×10 <sup>2</sup> | 3.14×10 <sup>2</sup> |
|              | Pull | 26.4                 | 39.6                 | 52.8                 | 79.2                 | 1.06×10 <sup>2</sup> | 1.32×10 <sup>2</sup> | 1.58×10 <sup>2</sup> | 1.85×10 <sup>2</sup> | 2.11×10 <sup>2</sup> | 2.38×10 <sup>2</sup> | 2.64×10 <sup>2</sup> |
| φ25          | Push | 49.1                 | 73.6                 | 98.2                 | 1.47×10 <sup>2</sup> | 1.96×10 <sup>2</sup> | 2.45×10 <sup>2</sup> | 2.95×10 <sup>2</sup> | 3.44×10 <sup>2</sup> | 3.93×10 <sup>2</sup> | 4.42×10 <sup>2</sup> | 4.91×10 <sup>2</sup> |
|              | Pull | 41.2                 | 61.9                 | 82.5                 | 1.24×10 <sup>2</sup> | 1.65×10 <sup>2</sup> | 2.06×10 <sup>2</sup> | 2.47×10 <sup>2</sup> | 2.89×10 <sup>2</sup> | 3.30×10 <sup>2</sup> | 3.71×10 <sup>2</sup> | 4.12×10 <sup>2</sup> |
| φ32          | Push | 80.4                 | 1.21×10 <sup>2</sup> | 1.61×10 <sup>2</sup> | 2.41×10 <sup>2</sup> | 3.22×10 <sup>2</sup> | 4.02×10 <sup>2</sup> | 4.83×10 <sup>2</sup> | 5.63×10 <sup>2</sup> | 6.43×10 <sup>2</sup> | 7.24×10 <sup>2</sup> | 8.04×10 <sup>2</sup> |
|              | Pull | 69.1                 | 1.04×10 <sup>2</sup> | 1.38×10 <sup>2</sup> | 2.07×10 <sup>2</sup> | 2.76×10 <sup>2</sup> | 3.46×10 <sup>2</sup> | 4.15×10 <sup>2</sup> | 4.84×10 <sup>2</sup> | 5.53×10 <sup>2</sup> | 6.22×10 <sup>2</sup> | 6.91×10 <sup>2</sup> |
| φ40          | Push | 1.26×10 <sup>2</sup> | 1.88×10 <sup>2</sup> | 2.51×10 <sup>2</sup> | 3.77×10 <sup>2</sup> | 5.03×10 <sup>2</sup> | 6.28×10 <sup>2</sup> | 7.54×10 <sup>2</sup> | 8.80×10 <sup>2</sup> | 1.01×10 <sup>3</sup> | 1.13×10 <sup>3</sup> | 1.26×10 <sup>3</sup> |
|              | Pull | 1.06×10 <sup>2</sup> | 1.58×10 <sup>2</sup> | 2.11×10 <sup>2</sup> | 3.17×10 <sup>2</sup> | 4.22×10 <sup>2</sup> | 5.28×10 <sup>2</sup> | 6.33×10 <sup>2</sup> | 7.39×10 <sup>2</sup> | 8.44×10 <sup>2</sup> | 9.50×10 <sup>2</sup> | 1.06×10 <sup>3</sup> |
| φ50          | Push | 1.96×10 <sup>2</sup> | 2.95×10 <sup>2</sup> | 3.93×10 <sup>2</sup> | 5.89×10 <sup>2</sup> | 7.85×10 <sup>2</sup> | 9.82×10 <sup>2</sup> | 1.18×10 <sup>3</sup> | 1.37×10 <sup>3</sup> | 1.57×10 <sup>3</sup> | 1.77×10 <sup>3</sup> | 1.96×10 <sup>3</sup> |
|              | Pull | 1.65×10 <sup>2</sup> | 2.47×10 <sup>2</sup> | 3.30×10 <sup>2</sup> | 4.95×10 <sup>2</sup> | 6.60×10 <sup>2</sup> | 8.25×10 <sup>2</sup> | 9.90×10 <sup>2</sup> | 1.15×10 <sup>3</sup> | 1.32×10 <sup>3</sup> | 1.48×10 <sup>3</sup> | 1.65×10 <sup>3</sup> |
| φ63          | Push | 3.12×10 <sup>2</sup> | 4.68×10 <sup>2</sup> | 6.23×10 <sup>2</sup> | 9.35×10 <sup>2</sup> | 1.25×10 <sup>3</sup> | 1.56×10 <sup>3</sup> | 1.87×10 <sup>3</sup> | 2.18×10 <sup>3</sup> | 2.49×10 <sup>3</sup> | 2.81×10 <sup>3</sup> | 3.12×10 <sup>3</sup> |
|              | Pull | 2.80×10 <sup>2</sup> | 4.20×10 <sup>2</sup> | 5.61×10 <sup>2</sup> | 8.41×10 <sup>2</sup> | 1.12×10 <sup>3</sup> | 1.40×10 <sup>3</sup> | 1.68×10 <sup>3</sup> | 1.96×10 <sup>3</sup> | 2.24×10 <sup>3</sup> | 2.52×10 <sup>3</sup> | 2.80×10 <sup>3</sup> |
| φ80          | Push | 5.03×10 <sup>2</sup> | 7.54×10 <sup>2</sup> | 1.01×10 <sup>3</sup> | 1.51×10 <sup>3</sup> | 2.01×10 <sup>3</sup> | 2.51×10 <sup>3</sup> | 3.02×10 <sup>3</sup> | 3.52×10 <sup>3</sup> | 4.02×10 <sup>3</sup> | 4.52×10 <sup>3</sup> | 5.03×10 <sup>3</sup> |
|              | Pull | 4.54×10 <sup>2</sup> | 6.80×10 <sup>2</sup> | 9.07×10 <sup>2</sup> | 1.36×10 <sup>3</sup> | 1.81×10 <sup>3</sup> | 2.27×10 <sup>3</sup> | 2.72×10 <sup>3</sup> | 3.17×10 <sup>3</sup> | 3.63×10 <sup>3</sup> | 4.08×10 <sup>3</sup> | 4.54×10 <sup>3</sup> |
| φ100         | Push | 7.85×10 <sup>2</sup> | 1.18×10 <sup>3</sup> | 1.57×10 <sup>3</sup> | 2.36×10 <sup>3</sup> | 3.14×10 <sup>3</sup> | 3.93×10 <sup>3</sup> | 4.71×10 <sup>3</sup> | 5.50×10 <sup>3</sup> | 6.28×10 <sup>3</sup> | 7.07×10 <sup>3</sup> | 7.85×10 <sup>3</sup> |
|              | Pull | 7.15×10 <sup>2</sup> | 1.07×10 <sup>3</sup> | 1.43×10 <sup>3</sup> | 2.14×10 <sup>3</sup> | 2.86×10 <sup>3</sup> | 3.57×10 <sup>3</sup> | 4.29×10 <sup>3</sup> | 5.00×10 <sup>3</sup> | 5.72×10 <sup>3</sup> | 6.43×10 <sup>3</sup> | 7.15×10 <sup>3</sup> |

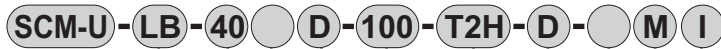


## 型號標示方法

無開關（內置開關用磁鐵）



附開關（內置開關用磁鐵）



A 安裝型式

橡膠緩衝

B 氣缸內徑

C 配管螺牙種類

D 行程

E 開關型號

註3  
註4

F 開關數量

G 開關安裝方式

H 選購品

註6

I 附屬品

註7

### 選定型號時的注意事項

- 註1：安裝固定架將添附於產品內一併出貨。  
 註2：關於開關安裝數量及最小行程，請參閱第286頁。  
 註3：除了E所示的開關型號外，亦備有其他開關可供選擇。（接單生產）  
 詳細內容請參閱卷尾第1頁。  
 註4：若氣缸內徑為φ20~φ40且開關安裝方式採導軌方式，將無法配置T8H/V開關。  
 註5：有關活塞桿前端外形製作規格，請參閱卷尾第85頁。  
 註6：開關安裝方式若選定「Z」，將無法選定添附開關導軌出貨「Q」之選項。  
 註7：無法同時選定「I」和「Y」。  
 註8：開關將添附於產品內一併出貨。如需組裝產品後出貨，請洽詢本公司。

### 〈型號標示範例〉

#### SCM-U-LB-40D-100-T2H-D-MI

機型：微型氣缸 複動、低摩擦型

- A 安裝型式：軸向腳架型  
 B 氣缸內徑：φ40mm  
 C 配管螺牙種類：Rc螺牙  
 D 行程：100mm  
 E 開關型號：無接點T2H開關、導線1m  
 F 開關數量：附2個  
 G 開關安裝方式：導軌方式  
 H 選購品：活塞桿材質、不鏽鋼  
 I 附屬品：一山關節

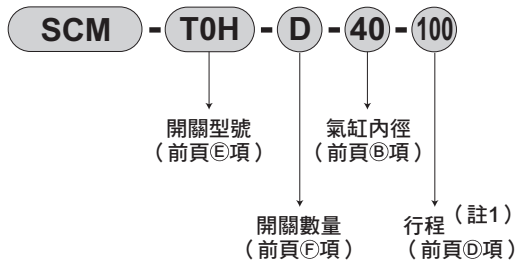
| 記號                 | 內容                   |         |    |             |               |    |    |    |     |
|--------------------|----------------------|---------|----|-------------|---------------|----|----|----|-----|
| <b>A 安裝型式</b>      |                      |         |    |             |               |    |    |    |     |
|                    | 氣缸內徑 (φ)             | 20      | 25 | 32          | 40            | 50 | 63 | 80 | 100 |
| 00                 | 基本型                  | ●       | ●  | ●           | ●             | ●  | ●  | ●  | ●   |
| LB                 | 軸向腳架型                | ●       | ●  | ●           | ●             | ●  | ●  | ●  | ●   |
| FA                 | 活塞桿側法蘭型              | ●       | ●  | ●           | ●             | ●  | ●  | ●  | ●   |
| FB                 | 頭蓋側法蘭型               | ●       | ●  | ●           | ●             | ●  | ●  | ●  | ●   |
| CA                 | 一山吊耳型                | ●       | ●  | ●           | ●             | ●  | ●  | ●  | ●   |
| CB                 | 二山吊耳型 (添附插銷及止環)      |         |    |             |               |    |    | ●  | ●   |
| TA                 | 活塞桿側耳軸型              | ●       | ●  | ●           | ●             | ●  | ●  | ●  | ●   |
| TB                 | 頭蓋側耳軸型               | ●       | ●  | ●           | ●             | ●  | ●  | ●  | ●   |
| <b>B 氣缸內徑 (mm)</b> |                      |         |    |             |               |    |    |    |     |
| 20                 | φ20                  |         |    |             |               |    |    |    |     |
| 25                 | φ25                  |         |    |             |               |    |    |    |     |
| 32                 | φ32                  |         |    |             |               |    |    |    |     |
| 40                 | φ40                  |         |    |             |               |    |    |    |     |
| 50                 | φ50                  |         |    |             |               |    |    |    |     |
| 63                 | φ63                  |         |    |             |               |    |    |    |     |
| 80                 | φ80                  |         |    |             |               |    |    |    |     |
| 100                | φ100                 |         |    |             |               |    |    |    |     |
| <b>C 配管螺牙種類</b>    |                      |         |    |             |               |    |    |    |     |
| 無記號                | Rc螺牙                 |         |    |             |               |    |    |    |     |
| N                  | NPT螺牙 (接單生產)         |         |    |             |               |    |    |    |     |
| G                  | G螺牙 (接單生產)           |         |    |             |               |    |    |    |     |
| <b>D 行程 (mm)</b>   |                      |         |    |             |               |    |    |    |     |
| 氣缸內徑               |                      | 行程註2    |    |             | 中間行程          |    |    |    |     |
| φ20~φ32            |                      | 10~1000 |    |             | 以1mm為單位       |    |    |    |     |
| φ40~φ100           |                      | 10~1500 |    |             |               |    |    |    |     |
| <b>E 開關型號</b>      |                      |         |    |             |               |    |    |    |     |
| 導線直型               | 導線L型                 | 接點      | 電壓 |             | 顯示            |    | 導線 |    |     |
|                    |                      | AC      | DC |             |               |    |    |    |     |
| T0H※               | T0V※                 | 有接點     | ●  | ●           | 單色顯示方式        |    | 2線 |    |     |
| T5H※               | T5V※                 |         | ●  | ●           | 無顯示燈          |    |    |    |     |
| T8H※               | T8V※                 |         | ●  | ●           | 單色顯示方式        |    |    |    |     |
| T1H※               | T1V※                 | 無接點     | ●  | ●           | 單色顯示方式        |    | 2線 |    |     |
| T2H※               | T2V※                 |         | ●  | ●           | 單色顯示方式 (接單生產) |    |    |    |     |
| T3H※               | T3V※                 |         | ●  | ●           | 單色顯示方式 (接單生產) |    | 3線 |    |     |
| T3PH※              | T3PV※                |         | ●  | ●           | 單色顯示方式 (接單生產) |    |    |    |     |
| T2WH※              | T2WV※                |         | ●  | ●           | 雙色顯示方式        |    | 2線 |    |     |
| T2YH※              | T2YV※                |         | ●  | ●           | 雙色顯示方式        |    |    |    |     |
| T3WH※              | T3WV※                | ●       | ●  | 雙色顯示方式      |               | 3線 |    |    |     |
| T3YH※              | T3YV※                | ●       | ●  | 雙色顯示方式      |               |    |    |    |     |
| T2YD※              | -                    | ●       | ●  | 交流磁場用       |               | 2線 |    |    |     |
| T2YDT※             | -                    | ●       | ●  | 交流磁場用       |               |    |    |    |     |
| T2JH※              | T2JV※                | ●       | ●  | 單色顯示方式斷電延遲型 |               | 2線 |    |    |     |
| <b>※導線長度</b>       |                      |         |    |             |               |    |    |    |     |
| 無記號                | 1m (標準)              |         |    |             |               |    |    |    |     |
| 3                  | 3m (選購品)             |         |    |             |               |    |    |    |     |
| 5                  | 5m (選購品)             |         |    |             |               |    |    |    |     |
| <b>F 開關數量</b>      |                      |         |    |             |               |    |    |    |     |
| R                  | 活塞桿側附1個              |         |    |             |               |    |    |    |     |
| H                  | 頭蓋側附1個               |         |    |             |               |    |    |    |     |
| D                  | 附2個                  |         |    |             |               |    |    |    |     |
| T                  | 附3個                  |         |    |             |               |    |    |    |     |
| 4                  | 附4個 (如為4個以上，則加入開關數量) |         |    |             |               |    |    |    |     |
| <b>G 開關安裝方式</b>    |                      |         |    |             |               |    |    |    |     |
| 無記號                | 導軌方式                 |         |    |             |               |    |    |    |     |
| Z                  | 綁帶方式                 |         |    |             |               |    |    |    |     |
| <b>H 選購品</b>       |                      |         |    |             |               |    |    |    |     |
| Q                  | 開關導軌添附出貨             |         |    |             |               |    |    |    |     |
| M                  | 活塞桿材質 (不鏽鋼)          |         |    |             |               |    |    |    |     |
| <b>I 附屬品</b>       |                      |         |    |             |               |    |    |    |     |
|                    | 氣缸內徑 (φ)             | 20      | 25 | 32          | 40            | 50 | 63 | 80 | 100 |
| I                  | 一山關節                 | ●       | ●  | ●           | ●             | ●  | ●  | ●  | ●   |
| Y                  | 二山關節 (添附插銷及止環)       | ●       | ●  | ●           | ●             | ●  | ●  | ●  | ●   |
| B1                 | 一山固定架                |         |    |             |               |    |    | ●  | ●   |
| B2                 | 二山固定架                | ●       | ●  | ●           | ●             | ●  | ●  |    |     |



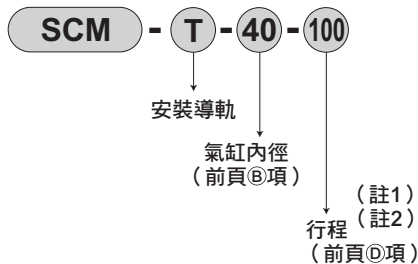
## 開關單品型號標示方法

〈開關安裝方式：導軌方式〉

- 開關本體+安裝導軌一式



- 僅安裝導軌

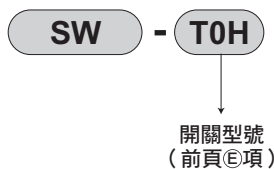


註1：行程超出300mm者請標示X。

行程超出300mm時，每一個開關將附有1支短導軌（開關調整移動距離為100mm）。

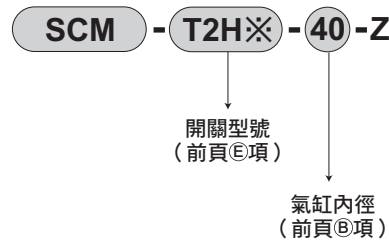
註2：僅安裝導軌且標示為X時，請依照所使用的開關數量訂購相同數量的導軌。

〈僅開關本體〉



〈開關安裝方式：綁帶方式〉

- 開關本體+安裝固定架一式+綁帶



- 安裝固定架一式+綁帶



## 安裝固定架型號標示方法

| 氣缸內徑 (mm)   | φ 20      | φ 25      | φ 32      | φ 40      | φ 50      | φ 63      | φ 80      | φ 100      |
|-------------|-----------|-----------|-----------|-----------|-----------|-----------|-----------|------------|
| 安裝固定架       |           |           |           |           |           |           |           |            |
| 腳架 (LB)     | SCM-LB-20 | SCM-LB-25 | SCM-LB-32 | SCM-LB-40 | SCM-LB-50 | SCM-LB-63 | SCM-LB-80 | SCM-LB-100 |
| 法蘭 (FA/FB)  | SCM-FA-20 | SCM-FA-25 | SCM-FA-32 | SCM-FA-40 | SCM-FA-50 | SCM-FA-63 | SCM-FA-80 | SCM-FA-100 |
| 一山吊耳 (CA)   | SCM-CA-20 | SCM-CA-25 | SCM-CA-32 | SCM-CA-40 | SCM-CA-50 | SCM-CA-63 | -         | -          |
| 二山吊耳 (CB)   | -         | -         | -         | -         | -         | -         | SCM-CB-80 | SCM-CB-100 |
| 耳軸型 (TA/TB) | SCM-TA-20 | SCM-TA-25 | SCM-TA-32 | SCM-TA-40 | SCM-TA-50 | SCM-TA-63 | -         | -          |

註1：各安裝固定架皆有添附安裝用螺栓。

註2：腳架型安裝固定架為每組2個。

## 外形尺寸圖

與複動、單側活塞桿型SCM系列相同。請參閱第224~237頁。

- SCP※3
- CMK2
- CMA2
- SCM**
- SCG
- SCA2
- SCS2
- CKV2
- CAV2・COVPI2
- SSD2
- SSG
- SSD
- CAT
- MDC2
- MVC
- SMG
- MSD・MSDG
- FC※
- STK
- SRL3
- SRG3
- SRM3
- SRT3
- MRL2
- MRG2
- SM-25
- 緩衝器
- FJ
- FK
- 調速閥
- 卷尾

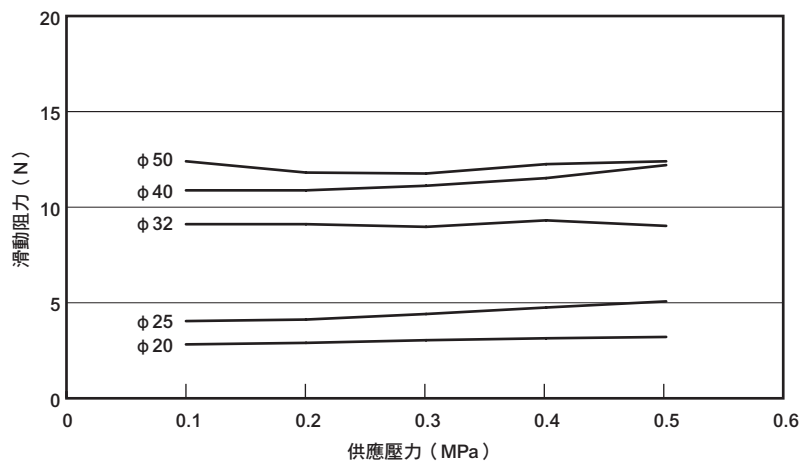
## 滑動阻力值

本資料為下述條件下之測量值。實際數值將依設置方法、加壓方向等條件變化，本頁所示數值並非保證值。

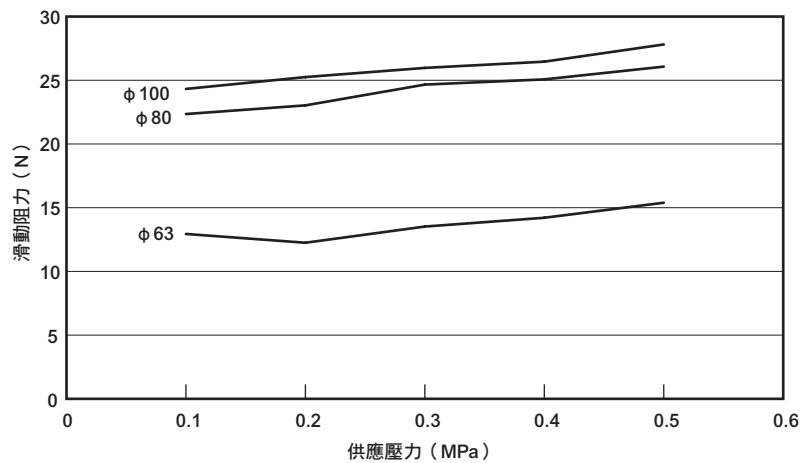
[試驗條件]

|        |                     |
|--------|---------------------|
| 氣缸種類   | S C M-U             |
| 氣缸安裝方向 | 垂直方向                |
| 氣缸速度   | 10mm/min (使用外部馬達驅動) |
| 氣缸加壓方向 | 頭蓋側 (活塞桿側為大氣開放)     |

滑動阻力 (φ 20~φ 50)



滑動阻力 (φ 63~φ 100)



SCP※3

CMK2

CMA2

**SCM**

SCG

SCA2

SCS2

CKV2

CAV2・  
COVPIN2

SSD2

SSG

SSD

CAT

MDC2

MVC

SMG

MSD・  
MSDG

FC※

STK

SRL3

SRG3

SRM3

SRT3

MRL2

MRG2

SM-25

緩衝器

FJ

FK

調速閥

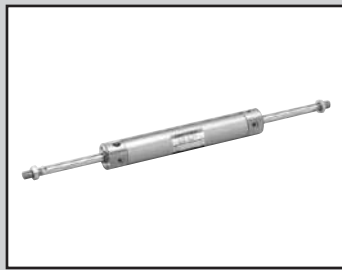
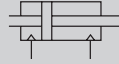
卷尾

微型氣缸 複動、雙側活塞桿型

# SCM-D Series

- 氣缸內徑：φ 20、φ 25、φ 32、φ 40  
φ 50、φ 63、φ 80、φ 100

JIS記號 複動氣缸雙側活塞桿型



## 規格

| 項目       |       | SCM-D                       |       |      |      |                  |       |       |       |
|----------|-------|-----------------------------|-------|------|------|------------------|-------|-------|-------|
| 氣缸內徑     | mm    | φ 20                        | φ 25  | φ 32 | φ 40 | φ 50             | φ 63  | φ 80  | φ 100 |
| 動作方式     |       | 複動、雙側活塞桿型                   |       |      |      |                  |       |       |       |
| 使用流體     |       | 壓縮空氣                        |       |      |      |                  |       |       |       |
| 最高使用壓力   | MPa   | 1.0                         |       |      |      |                  |       |       |       |
| 最低使用壓力   | MPa   | 0.15                        |       |      |      | 0.1              |       |       |       |
| 耐壓力      | MPa   | 1.6                         |       |      |      |                  |       |       |       |
| 環境溫度     | °C    | -10~60 (避免結凍)               |       |      |      |                  |       |       |       |
| 連接口徑     | 附橡膠緩衝 | Rc1/8                       |       |      |      | Rc1/4            |       | Rc8/3 | Rc1/2 |
|          | 附空氣緩衝 | M5                          | Rc1/8 |      |      | Rc1/4            |       | Rc8/3 | Rc1/2 |
| 行程容許差    | 附橡膠緩衝 | +1.4<br>0                   |       |      |      | +2.3<br>0 (~600) |       |       |       |
|          | 附空氣緩衝 | +1.4<br>0                   |       |      |      | +1.4<br>0 (~600) |       |       |       |
| 使用活塞速度   | mm/s  | 30~1000 (使用時不得超過吸收能量的容許範圍。) |       |      |      |                  |       |       |       |
| 緩衝       |       | 可選擇橡膠緩衝、空氣緩衝                |       |      |      |                  |       |       |       |
| 空氣緩衝有效長度 | mm    | 8.1                         | 8.1   | 8.6  | 8.6  | 13.4             | 13.4  | 15.4  | 15.4  |
| 給油       |       | 不要 (給油時請使用渦輪機油ISO VG32)     |       |      |      |                  |       |       |       |
| 容許吸收能量   | 附橡膠緩衝 | 0.1                         | 0.2   | 0.5  | 0.9  | 1.6              | 1.6   | 3.3   | 5.8   |
|          | 附空氣緩衝 | 0.8                         | 1.2   | 2.5  | 3.7  | 8.0              | 14.4  | 25.4  | 45.6  |
|          | 無緩衝   | -                           | -     | -    | -    | 0.057            | 0.057 | 0.112 | 0.153 |

註1：容許吸收能量為「無緩衝」，表示的是選擇單側空氣緩衝時未指示側(「R」頭蓋側、「H」活塞桿側)的容許吸收能量。

註2：無緩衝時，將無法吸收外部負載所產生的較大能量。請於外部裝設緩衝裝置。

## 行程

| 氣缸內徑 (mm) | 標準行程 (mm)                            | 最大行程 (mm) | 最小行程 (mm) |
|-----------|--------------------------------------|-----------|-----------|
| φ 20      | 25、50、75、100、125、<br>150、200、250、300 | 600       | 10        |
| φ 25      |                                      |           |           |
| φ 32      |                                      |           |           |
| φ 40      |                                      |           |           |
| φ 50      |                                      |           |           |
| φ 63      |                                      |           |           |
| φ 80      |                                      |           |           |
| φ 100     |                                      |           |           |

註1：中間行程的製作規格間距為1mm。

## 開關安裝數量及最小行程 (mm)

● 開關安裝方式：導軌方式

| 開關數量<br>氣缸內徑<br>(mm) | 1     |         |      |     | 2     |         |      |     | 3     |         |      |     | 4     |         |      |     | 5     |         |      |     |    |
|----------------------|-------|---------|------|-----|-------|---------|------|-----|-------|---------|------|-----|-------|---------|------|-----|-------|---------|------|-----|----|
|                      | 無接點   |         |      | 有接點 | 無接點   |         |      | 有接點 | 無接點   |         |      | 有接點 | 無接點   |         |      | 有接點 | 無接點   |         |      | 有接點 |    |
|                      | T2,T3 | T2W,T3W | T×Y※ |     | T2,T3 | T2W,T3W | T×Y※ |     | T2,T3 | T2W,T3W | T×Y※ |     | T2,T3 | T2W,T3W | T×Y※ |     | T2,T3 | T2W,T3W | T×Y※ |     |    |
| φ 20                 | 10    |         |      |     | 25    |         |      |     | 50    | 70      | 70   | 55  | 55    | 70      | 70   | 55  | 55    | 75      | 110  | 110 | 90 |
| φ 25                 | 10    |         |      |     | 25    |         |      |     | 50    | 70      | 70   | 55  | 55    | 70      | 70   | 55  | 55    | 75      | 110  | 110 | 90 |
| φ 32                 | 10    |         |      |     | 25    |         |      |     | 50    | 70      | 70   | 55  | 55    | 70      | 70   | 55  | 55    | 75      | 110  | 110 | 90 |
| φ 40                 | 10    |         |      |     | 25    |         |      |     | 50    | 70      | 70   | 55  | 55    | 70      | 70   | 55  | 55    | 75      | 110  | 110 | 90 |
| φ 50                 | 10    |         |      |     | 25    |         |      |     | 50    | 65      | 65   | 55  | 55    | 65      | 65   | 55  | 55    | 75      | 110  | 110 | 90 |
| φ 63                 | 10    |         |      |     | 25    |         |      |     | 50    | 65      | 65   | 55  | 55    | 65      | 65   | 55  | 55    | 75      | 110  | 110 | 90 |
| φ 80                 | 10    |         |      |     | 25    |         |      |     | 50    | 65      | 65   | 55  | 55    | 65      | 65   | 55  | 55    | 75      | 110  | 110 | 90 |
| φ 100                | 10    |         |      |     | 25    |         |      |     | 50    | 65      | 65   | 55  | 55    | 65      | 65   | 55  | 55    | 75      | 110  | 110 | 90 |

● 開關安裝方式：綁帶方式

| 開關數量<br>氣缸內徑<br>(mm) | 1     |         |      |     | 2     |         |      |     | 3     |         |      |     | 4     |         |      |     | 5     |         |      |     |
|----------------------|-------|---------|------|-----|-------|---------|------|-----|-------|---------|------|-----|-------|---------|------|-----|-------|---------|------|-----|
|                      | 無接點   |         |      | 有接點 | 無接點   |         |      | 有接點 | 無接點   |         |      | 有接點 | 無接點   |         |      | 有接點 | 無接點   |         |      | 有接點 |
|                      | T2,T3 | T2W,T3W | T×Y※ |     | T2,T3 | T2W,T3W | T×Y※ |     | T2,T3 | T2W,T3W | T×Y※ |     | T2,T3 | T2W,T3W | T×Y※ |     | T2,T3 | T2W,T3W | T×Y※ |     |
| φ 20                 | 10    |         |      |     | 25    | 30      | 35   | 25  | 50    | 55      | 55   | 50  | 75    | 75      | 80   | 70  | 95    | 100     | 100  | 95  |
| φ 25                 | 10    |         |      |     | 25    | 30      | 35   | 25  | 50    | 55      | 55   | 50  | 75    | 75      | 80   | 70  | 95    | 100     | 100  | 95  |
| φ 32                 | 10    |         |      |     | 25    | 30      | 35   | 25  | 50    | 55      | 55   | 50  | 75    | 75      | 80   | 70  | 95    | 100     | 100  | 95  |
| φ 40                 | 10    |         |      |     | 25    | 30      | 35   | 25  | 50    | 55      | 55   | 50  | 75    | 75      | 80   | 70  | 95    | 100     | 100  | 95  |
| φ 50                 | 10    |         |      |     | 25    | 30      | 35   | 25  | 50    | 55      | 55   | 50  | 75    | 75      | 80   | 70  | 95    | 100     | 100  | 95  |
| φ 63                 | 10    |         |      |     | 25    | 30      | 35   | 25  | 50    | 55      | 55   | 50  | 75    | 75      | 80   | 70  | 95    | 100     | 100  | 95  |
| φ 83                 | 10    |         |      |     | 25    | 30      | 35   | 25  | 50    | 55      | 55   | 50  | 75    | 75      | 80   | 70  | 95    | 100     | 100  | 95  |
| φ 100                | 10    |         |      |     | 25    | 30      | 35   | 25  | 50    | 55      | 55   | 50  | 75    | 75      | 80   | 70  | 95    | 100     | 100  | 95  |

註1：由於附1個開關且行程10mm以上未滿25mm的規格，其開關導軌安裝位置會改變，因此無法製作安裝型式耳軸型。另外，安裝位置請參閱第329頁。

### 開關規格

● 單色/雙色顯示方式

| 項目   | 無接點2線式                           |                       |                         |                         | 無接點3線式         |                      |                         |                         | 有接點2線式                  |                                |             |                | 無接點2線式       |                         |           |
|------|----------------------------------|-----------------------|-------------------------|-------------------------|----------------|----------------------|-------------------------|-------------------------|-------------------------|--------------------------------|-------------|----------------|--------------|-------------------------|-----------|
|      | T1H・T1V                          | T2H・T2V・<br>T2JH・T2JV | T2YH・<br>T2YV           | T2WH・<br>T2WV           | T3H・T3V        | T3PH・T3PV<br>(按單生產)  | T3YH・<br>T3YV           | T3WH・<br>T3WV           | T0H・T0V                 | T5H・T5V                        | T8H・T8V     |                | T2YD         |                         |           |
| 用途   | 可程式控制器<br>繼電器、小型電磁開關             |                       | 可程式控制器專用                |                         | 可程式控制器、繼電器用    |                      |                         |                         | 可程式控制器、<br>繼電器用         | 可程式控制器、繼電器<br>IC選路(無顯示燈)、串聯連接用 | 可程式控制器、繼電器用 |                | 可程式<br>控制器專用 |                         |           |
| 輸出方式 | —                                |                       |                         |                         | NPN輸出          | PNP輸出                | NPN輸出                   | NPN輸出                   | —                       |                                |             |                | —            |                         |           |
| 電源電壓 | —                                |                       |                         |                         | DC10~28V       |                      |                         |                         | —                       |                                |             |                | —            |                         |           |
| 負載電壓 | AC85~265V                        | DC10~30V              | DC24V±10%               | DC30V以下                 |                |                      |                         | DC12/24V                | AC100/110V              | DC5/12/24V                     | AC100/110V  | DC12/24V       | AC110V       | AC220V                  | DC24V±10% |
| 負載電流 | 5~100mA                          | 5~20mA (註2)           |                         | 100mA以下                 |                | 50mA以下               |                         | 5~50mA                  | 7~20mA                  | 50mA以下                         | 20mA以下      | 5~50mA         | 7~20mA       | 7~10mA                  | 5~20mA    |
| 顯示燈  | LED<br>(ON時亮燈)                   | LED<br>(ON時亮燈)        | 紅色/綠色<br>LED<br>(ON時亮燈) | 紅色/綠色<br>LED<br>(ON時亮燈) | LED<br>(ON時亮燈) | 黃色<br>LED<br>(ON時亮燈) | 紅色/綠色<br>LED<br>(ON時亮燈) | 紅色/綠色<br>LED<br>(ON時亮燈) | LED<br>(ON時亮燈)          | 無顯示燈                           |             | LED<br>(ON時亮燈) |              | 紅色/綠色<br>LED<br>(ON時亮燈) |           |
| 漏電電流 | AC100V時電流小於1mA<br>AC200V時電流小於2mA | 1mA以下                 |                         | 10μA以下                  |                |                      |                         | 0mA                     |                         |                                |             | 1mA以下          |              |                         |           |
| 重量 g | 1m : 33                          | 1m : 18               | 1m : 33                 | 1m : 18                 | 1m : 18        | 1m : 33              | 1m : 18                 | 1m : 18                 | 1m : 18 3m : 49 5m : 80 |                                |             | 1m : 33        | 1m : 61      |                         |           |
|      | 3m : 87                          | 3m : 49               | 3m : 87                 | 3m : 49                 | 3m : 49        | 3m : 87              | 3m : 49                 | 3m : 49                 | 1m : 18 3m : 49 5m : 80 |                                |             | 3m : 87        | 3m : 166     |                         |           |
|      | 5m : 142                         | 5m : 80               | 5m : 142                | 5m : 80                 | 5m : 80        | 5m : 142             | 5m : 80                 | 5m : 80                 | 1m : 18 3m : 49 5m : 80 |                                |             | 5m : 142       | 5m : 272     |                         |           |

註1：其他開關規格，請參閱卷尾第1頁。

註2：上述負載電流的最大值：20mA為溫度25°C時的數值。開關使用環境溫度若高於25°C，電流將降至低於20mA。  
(溫度到達60°C時，則電流為5~10mA。)

註3：T0/T5開關也可使用AC220V。關於使用條件，請洽詢本公司。

註4：交流磁場用開關(T2YD)於直流磁場環境下無法使用。

註5：外形尺寸視開關型號而異。詳細內容請參閱卷尾第18頁。

### 氣缸重量

(單位：kg)

| 項目、安裝型式  | 行程(S)=0mm時的產品重量 |           |         |         | 開關重量<br>(每1個)     | S=每10mm的 | S=每10mm的        |
|----------|-----------------|-----------|---------|---------|-------------------|----------|-----------------|
|          | 基本型(OO)         | 軸向腳架型(LB) | 法蘭型(FA) | 耳軸型(TA) |                   | 累計重量     | 累計重量(開關<br>附導軌) |
| 氣缸內徑(mm) |                 |           |         |         | 請參閱開關規格<br>內記載的重量 |          |                 |
| φ20      | 0.12            | 0.23      | 0.20    | 0.13    |                   | 0.014    | 0.016           |
| φ25      | 0.21            | 0.34      | 0.31    | 0.23    |                   | 0.020    | 0.022           |
| φ32      | 0.32            | 0.48      | 0.46    | 0.35    |                   | 0.026    | 0.028           |
| φ40      | 0.52            | 0.74      | 0.72    | 0.57    |                   | 0.046    | 0.048           |
| φ50      | 0.96            | 1.44      | 1.30    | 1.10    |                   | 0.068    | 0.070           |
| φ63      | 1.27            | 1.99      | 1.77    | 1.41    |                   | 0.076    | 0.078           |
| φ80      | 2.41            | 3.37      | 3.12    | —       |                   | 0.108    | 0.110           |
| φ100     | 3.73            | 5.48      | 5.08    | —       | 0.154             | 0.156    |                 |

(範例) SCM-D-LB-40B-100-T2H-D的產品重量

- S=0mm時的產品重量…………… 0.74kg
- S=100mm時的累計重量……………  $0.048 \times \frac{100}{10} = 0.48\text{kg}$
- 2個開關的重量……………  $0.018 \times 2 = 0.036\text{kg}$
- 產品重量……………  $0.74 + 0.48 + 0.036 = 1.256\text{kg}$

### 理論推力表

(單位：N)

| 氣缸內徑<br>(mm) | 動作方向      | 使用壓力 MPa           |                    |                    |                    |                    |                    |                    |                    |                    |                    |                    |
|--------------|-----------|--------------------|--------------------|--------------------|--------------------|--------------------|--------------------|--------------------|--------------------|--------------------|--------------------|--------------------|
|              |           | 0.1                | 0.15               | 0.2                | 0.3                | 0.4                | 0.5                | 0.6                | 0.7                | 0.8                | 0.9                | 1.0                |
| φ20          | Push/Pull | 26.4               | 39.6               | 52.8               | 79.2               | $1.06 \times 10^2$ | $1.32 \times 10^2$ | $1.58 \times 10^2$ | $1.85 \times 10^2$ | $2.11 \times 10^2$ | $2.38 \times 10^2$ | $2.64 \times 10^2$ |
| φ25          | Push/Pull | 41.2               | 61.9               | 82.5               | $1.24 \times 10^2$ | $1.65 \times 10^2$ | $2.06 \times 10^2$ | $2.47 \times 10^2$ | $2.89 \times 10^2$ | $3.30 \times 10^2$ | $3.71 \times 10^2$ | $4.12 \times 10^2$ |
| φ32          | Push/Pull | 69.1               | $1.04 \times 10^2$ | $1.38 \times 10^2$ | $2.07 \times 10^2$ | $2.76 \times 10^2$ | $3.46 \times 10^2$ | $4.15 \times 10^2$ | $4.84 \times 10^2$ | $5.53 \times 10^2$ | $6.22 \times 10^2$ | $6.91 \times 10^2$ |
| φ40          | Push/Pull | $1.06 \times 10^2$ | $1.58 \times 10^2$ | $2.11 \times 10^2$ | $3.17 \times 10^2$ | $4.22 \times 10^2$ | $5.28 \times 10^2$ | $6.33 \times 10^2$ | $7.39 \times 10^2$ | $8.44 \times 10^2$ | $9.50 \times 10^2$ | $1.06 \times 10^3$ |
| φ50          | Push/Pull | $1.65 \times 10^2$ | $2.47 \times 10^2$ | $3.30 \times 10^2$ | $4.95 \times 10^2$ | $6.60 \times 10^2$ | $8.25 \times 10^2$ | $9.90 \times 10^2$ | $1.15 \times 10^3$ | $1.32 \times 10^3$ | $1.48 \times 10^3$ | $1.65 \times 10^3$ |
| φ63          | Push/Pull | $2.80 \times 10^2$ | $4.20 \times 10^2$ | $5.61 \times 10^2$ | $8.41 \times 10^2$ | $1.12 \times 10^3$ | $1.40 \times 10^3$ | $1.68 \times 10^3$ | $1.96 \times 10^3$ | $2.24 \times 10^3$ | $2.52 \times 10^3$ | $2.80 \times 10^3$ |
| φ80          | Push/Pull | $4.54 \times 10^2$ | $6.80 \times 10^2$ | $9.07 \times 10^2$ | $1.36 \times 10^3$ | $1.81 \times 10^3$ | $2.27 \times 10^3$ | $2.72 \times 10^3$ | $3.17 \times 10^3$ | $3.63 \times 10^3$ | $4.08 \times 10^3$ | $4.54 \times 10^3$ |
| φ100         | Push/Pull | $7.15 \times 10^2$ | $1.07 \times 10^3$ | $1.43 \times 10^3$ | $2.14 \times 10^3$ | $2.86 \times 10^3$ | $3.57 \times 10^3$ | $4.29 \times 10^3$ | $5.00 \times 10^3$ | $5.72 \times 10^3$ | $6.43 \times 10^3$ | $7.15 \times 10^3$ |

## 型號標示方法

無開關（內置開關用磁鐵）

**SCM-D-LB-40** **B-100** **J I**

附開關（內置開關用磁鐵）

**SCM-D-LB-40** **B-100-T2H-D** **J I**

**A** 安裝型式 **B** 氣缸內徑

**C** 配管螺牙種類

**D** 緩衝

**E** 行程

**F** 開關型號

註4

註5

**G** 開關數量

**H** 開關安裝方式

**I** 選購品

註2

註6

註8

**J** 附屬品

### 選定型號時的注意事項

- 註1：安裝固定架將添附於產品內一併出貨。  
 註2：防塵套且安裝固定架為LB、FA、TA時，為組裝後出貨。  
 註3：關於開關安裝數量及最小行程，請參閱第292頁。  
 註4：除了**F**所示的開關型號外，亦備有其他開關可供選擇。（接單生產）  
 詳細內容請參閱卷尾第1頁。  
 註5：若氣缸內徑為φ20~φ40且開關安裝方式採導軌方式，將無法配置T8H/V開關。  
 註6：瞬間最高溫度是指火花或切削粉末等瞬間接觸到防塵套時的溫度。  
 註7：有關活塞桿前端外形製作規格，請參閱卷尾第85頁。  
 註8：開關安裝方式若選定「Z」，將無法選定添附開關導軌出貨「Q」之選項。  
 註9：開關將添附於產品內一併出貨。如需組裝產品後出貨，請洽詢本公司。

### 〈型號標示範例〉

## SCM-D-LB-40B-100-T2H-D-JI

機型：微型氣缸 複動、雙側活塞桿型

- A** 安裝型式：軸向腳架型  
**B** 氣缸內徑：φ40mm  
**C** 配管螺牙種類：Rc螺牙  
**D** 緩衝：附兩側空氣緩衝  
**E** 行程：100mm  
**F** 開關型號：無接點T2H開關、導線1m  
**G** 開關數量：附2個  
**H** 開關安裝方式：導軌方式  
**I** 選購品：防塵套材質、最高環境溫度60°C用  
**J** 附屬品：一山關節

| 記號 | 內容 |  |  |  |  |  |  |  |
|----|----|--|--|--|--|--|--|--|
|----|----|--|--|--|--|--|--|--|

| A 安裝型式   |         |    |    |    |    |    |    |    |     |
|----------|---------|----|----|----|----|----|----|----|-----|
| 氣缸內徑 (φ) |         | 20 | 25 | 32 | 40 | 50 | 63 | 80 | 100 |
| 00       | 基本型     | ●  | ●  | ●  | ●  | ●  | ●  | ●  | ●   |
| LB       | 軸向腳架型   | ●  | ●  | ●  | ●  | ●  | ●  | ●  | ●   |
| FA       | 活塞桿側法蘭型 | ●  | ●  | ●  | ●  | ●  | ●  | ●  | ●   |
| TA       | 活塞桿側耳軸型 | ●  | ●  | ●  | ●  | ●  | ●  | ●  | ●   |

| B 氣缸內徑 (mm) |      |
|-------------|------|
| 20          | φ20  |
| 25          | φ25  |
| 32          | φ32  |
| 40          | φ40  |
| 50          | φ50  |
| 63          | φ63  |
| 80          | φ80  |
| 100         | φ100 |

| C 配管螺牙種類 |              |
|----------|--------------|
| 無記號      | Rc螺牙         |
| N        | NPT螺牙 (接單生產) |
| G        | G螺牙 (接單生產)   |

| D 緩衝 |           |
|------|-----------|
| B    | 附兩側空氣緩衝   |
| R    | 活塞桿側附空氣緩衝 |
| H    | 頭蓋側附空氣緩衝  |
| D    | 附兩側橡膠緩衝   |

| E 行程 (mm) |        |         |
|-----------|--------|---------|
| 氣缸內徑      | 行程     | 中間行程    |
| φ20~φ100  | 10~600 | 以1mm為單位 |

| F 開關型號 |       |     |    |             |               |    |
|--------|-------|-----|----|-------------|---------------|----|
| 導線直型   | 導線L型  | 接點  | 電壓 |             | 顯示            | 導線 |
|        |       |     | AC | DC          |               |    |
| T0H※   | T0V※  | 有接點 | ●  | ●           | 單色顯示方式        | 2線 |
| T5H※   | T5V※  |     | ●  | ●           | 無顯示燈          |    |
| T8H※   | T8V※  |     | ●  | ●           | 單色顯示方式        |    |
| T1H※   | T1V※  |     | ●  | ●           | 單色顯示方式        |    |
| T2H※   | T2V※  | 無接點 | ●  | ●           | 單色顯示方式 (接單生產) | 3線 |
| T3H※   | T3V※  |     | ●  | ●           | 雙色顯示方式        |    |
| T3PH※  | T3PV※ |     | ●  | ●           | 雙色顯示方式        |    |
| T2WH※  | T2WV※ |     | ●  | ●           | 雙色顯示方式        |    |
| T2YH※  | T2YV※ |     | ●  | ●           | 雙色顯示方式        |    |
| T3WH※  | T3WV※ |     | ●  | ●           | 雙色顯示方式        |    |
| T3YH※  | T3YV※ |     | ●  | ●           | 雙色顯示方式        |    |
| T2YD※  | -     |     | ●  | ●           | 雙色顯示方式        |    |
| T2YDT※ | -     | ●   | ●  | 交流磁場用       |               |    |
| T2JH※  | T2JV※ | ●   | ●  | 單色顯示方式斷電延遲型 | 2線            |    |

| ※導線長度 |          |
|-------|----------|
| 無記號   | 1m (標準)  |
| 3     | 3m (選購品) |
| 5     | 5m (選購品) |

| G 開關數量 |                        |
|--------|------------------------|
| R      | 活塞桿側附1個                |
| H      | 頭蓋側附1個                 |
| D      | 附2個                    |
| T      | 附3個                    |
| 4      | 附4個 (如開關為4個以上，則加入開關數量) |

| H 開關安裝方式 |      |
|----------|------|
| 無記號      | 導軌方式 |
| Z        | 綁帶方式 |

| I 選購品 |             |        |        |
|-------|-------------|--------|--------|
|       |             | 最高環境溫度 | 瞬間最高溫度 |
| J     | 防塵套         | 60°C   | 100°C  |
| K     | 防塵套         | 100°C  | 200°C  |
| L     | 防塵套         | 250°C  | 400°C  |
| Q     | 開關導軌添附出貨    |        |        |
| M     | 活塞桿材質 (不鏽鋼) |        |        |
| P6    | 銅離子防止處理     |        |        |

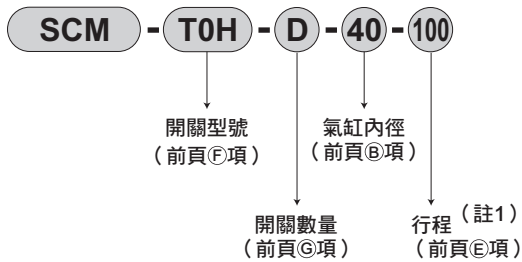
| J 附屬品    |                |    |    |    |    |    |    |    |     |
|----------|----------------|----|----|----|----|----|----|----|-----|
| 氣缸內徑 (φ) |                | 20 | 25 | 32 | 40 | 50 | 63 | 80 | 100 |
| I        | 一山關節           | ●  | ●  | ●  | ●  | ●  | ●  | ●  | ●   |
| Y        | 二山關節 (添附插銷及止環) | ●  | ●  | ●  | ●  | ●  | ●  | ●  | ●   |
| B2       | 二山固定架          | ●  | ●  | ●  | ●  | ●  | ●  | ●  | ●   |



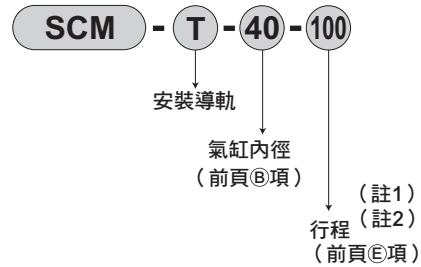
### 開關單品型號標示方法

〈開關安裝方式：導軌方式〉

- 開關本體 + 安裝導軌一式



- 僅安裝導軌



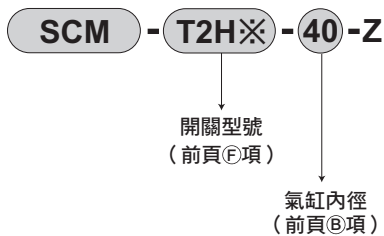
註1：行程超出300mm者請標示X。

行程超出300mm時，每一個開關將附有1支短導軌（開關調整移動距離為100mm）。

註2：僅安裝導軌且標示為X時，請依照所使用的開關數量訂購相同數量的導軌。

〈開關安裝方式：綁帶方式〉

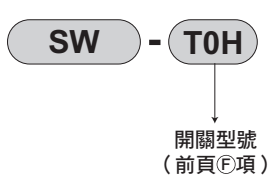
- 開關本體 + 安裝固定架一式 + 綁帶



- 安裝固定架一式 + 綁帶



〈僅開關本體〉



### 安裝固定架型號標示方法

| 氣缸內徑 (mm) | φ 20      | φ 25      | φ 32      | φ 40      | φ 50      | φ 63      | φ 80      | φ 100      |
|-----------|-----------|-----------|-----------|-----------|-----------|-----------|-----------|------------|
| 安裝固定架     |           |           |           |           |           |           |           |            |
| 腳架 (LB)   | SCM-LB-20 | SCM-LB-25 | SCM-LB-32 | SCM-LB-40 | SCM-LB-50 | SCM-LB-63 | SCM-LB-80 | SCM-LB-100 |
| 法蘭 (FA)   | SCM-FA-20 | SCM-FA-25 | SCM-FA-32 | SCM-FA-40 | SCM-FA-50 | SCM-FA-63 | SCM-FA-80 | SCM-FA-100 |
| 耳軸 (TA)   | SCM-TA-20 | SCM-TA-25 | SCM-TA-32 | SCM-TA-40 | SCM-TA-50 | SCM-TA-63 | -         | -          |

註1：各安裝固定架皆有添附安裝用螺栓。

註2：腳架型安裝固定架為每組2個。

SCP※3

CMK2

CMA2

SCM

SCG

SCA2

SCS2

CKV2

CAV2・COV/PIN2

SSD2

SSG

SSD

CAT

MDC2

MVC

SMG

MSD・MSDG

FC※

STK

SRL3

SRG3

SRM3

SRT3

MRL2

MRG2

SM-25

緩衝器

FJ

FK

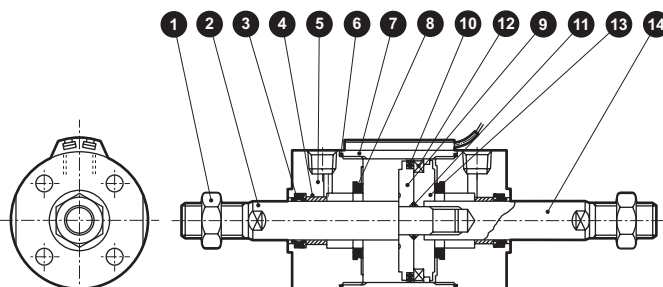
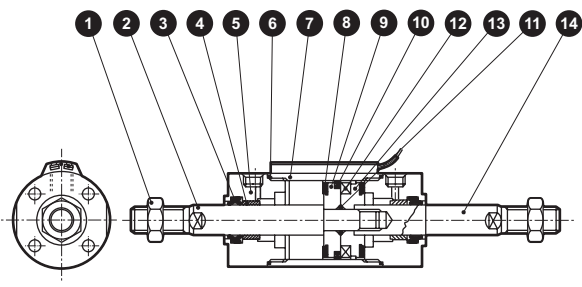
調速閥

卷尾

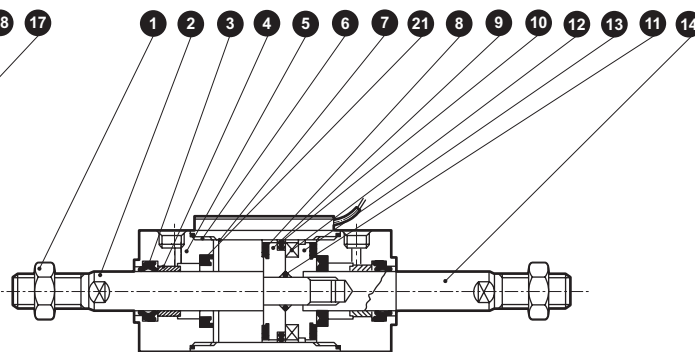
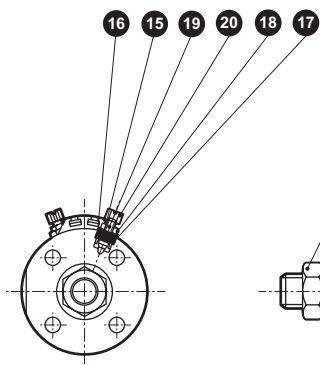
## 內部結構及零件一覽表

● 附橡膠緩衝  
φ 20 ~ φ 40

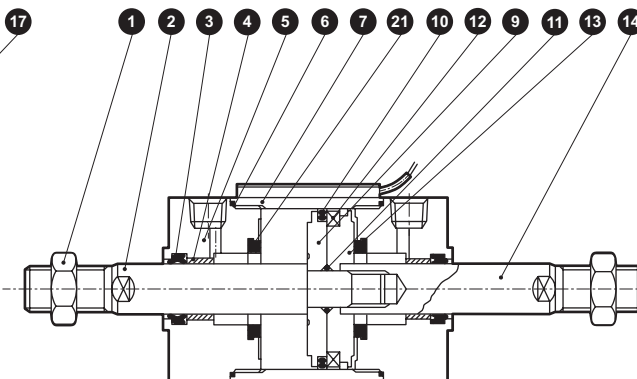
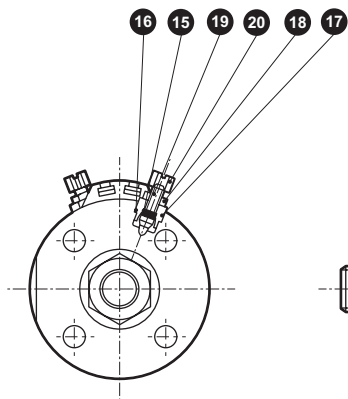
φ 50 ~ φ 100



● 附空氣緩衝  
φ 20 ~ φ 40



φ 50 ~ φ 100



| 編號 | 零件名稱  | 材質                                | 備註    | 編號    | 零件名稱  | 材質                                | 備註    |
|----|-------|-----------------------------------|-------|-------|-------|-----------------------------------|-------|
| 1  | 活塞桿螺帽 | 鋼                                 | 鍍鎳    | 12    | 磁鐵    | 塑料                                |       |
| 2  | 活塞桿A  | φ 20、φ 25：不鏽鋼<br>φ 32~φ 100：鋼     | 工業用鍍鉻 | 13    | 活塞H   | φ 20~φ 40：鋁合金<br>φ 50~φ 100：鋁合金壓鑄 |       |
| 3  | 活塞桿墊圈 | 丁腈橡膠                              |       | 14    | 活塞桿B  | φ 20、φ 25：不鏽鋼<br>φ 32~φ 100：鋼     | 工業用鍍鉻 |
| 4  | 軸套    | 含油軸承合金 <sup>註1</sup>              |       | 附空氣緩衝 |       |                                   |       |
| 5  | 活塞桿蓋  | 鋁合金 <sup>註2</sup>                 | 烤漆    | 15    | 針閥座   | 丁腈橡膠                              |       |
| 6  | 氣缸墊圈  | 丁腈橡膠                              |       | 16    | 固定器墊片 | 丁腈橡膠                              |       |
| 7  | 缸管    | 鋁合金                               | 硬質耐酸鋁 | 17    | 針閥固定器 | 鋁合金                               |       |
| 8  | 緩衝橡膠  | 聚氨酯橡膠                             |       | 18    | 鎖定螺帽  | 鋼                                 | 鍍鎳    |
| 9  | 活塞R   | φ 20~φ 40：鋁合金<br>φ 50~φ 100：鋁合金壓鑄 |       | 19    | 針閥    | 不鏽鋼                               |       |
| 10 | 活塞墊圈  | 丁腈橡膠                              |       | 20    | 旋鈕    | 鋁合金                               | 鉻酸鹽   |
| 11 | 活塞墊圈  | 丁腈橡膠                              |       | 21    | 緩衝墊圈  | 丁腈橡膠、鋼                            |       |

註1：銅離子防止處理規格所採用的材質為含油鑄鐵製軸承。  
註2：φ 50、φ 63的材質為鋁合金壓鑄，表面處理為烤漆。

## 消耗性零件一覽表

註：訂購時請指定套件編號。  
附橡膠緩衝時

| 氣缸內徑<br>(mm) | 套件編號        | 消耗性零件編號 |
|--------------|-------------|---------|
| φ 20         | SCM-D-20DK  | ③ ⑥ ⑧ ⑩ |
| φ 25         | SCM-D-25DK  |         |
| φ 32         | SCM-D-32DK  |         |
| φ 40         | SCM-D-40DK  |         |
| φ 50         | SCM-D-50DK  |         |
| φ 63         | SCM-D-63DK  |         |
| φ 80         | SCM-D-80DK  |         |
| φ 100        | SCM-D-100DK |         |

附空氣緩衝時

| 氣缸內徑<br>(mm) | 套件編號        | 消耗性零件編號                  |
|--------------|-------------|--------------------------|
| φ 20         | SCM-D-20BK  | 註2<br>③ ⑥ ⑧<br>⑩ ⑮ ⑯ ⑳ ㉑ |
| φ 25         | SCM-D-25BK  |                          |
| φ 32         | SCM-D-32BK  |                          |
| φ 40         | SCM-D-40BK  |                          |
| φ 50         | SCM-D-50BK  |                          |
| φ 63         | SCM-D-63BK  |                          |
| φ 80         | SCM-D-80BK  |                          |
| φ 100        | SCM-D-100BK |                          |

註1：③、⑥、⑩與附橡膠緩衝相同。

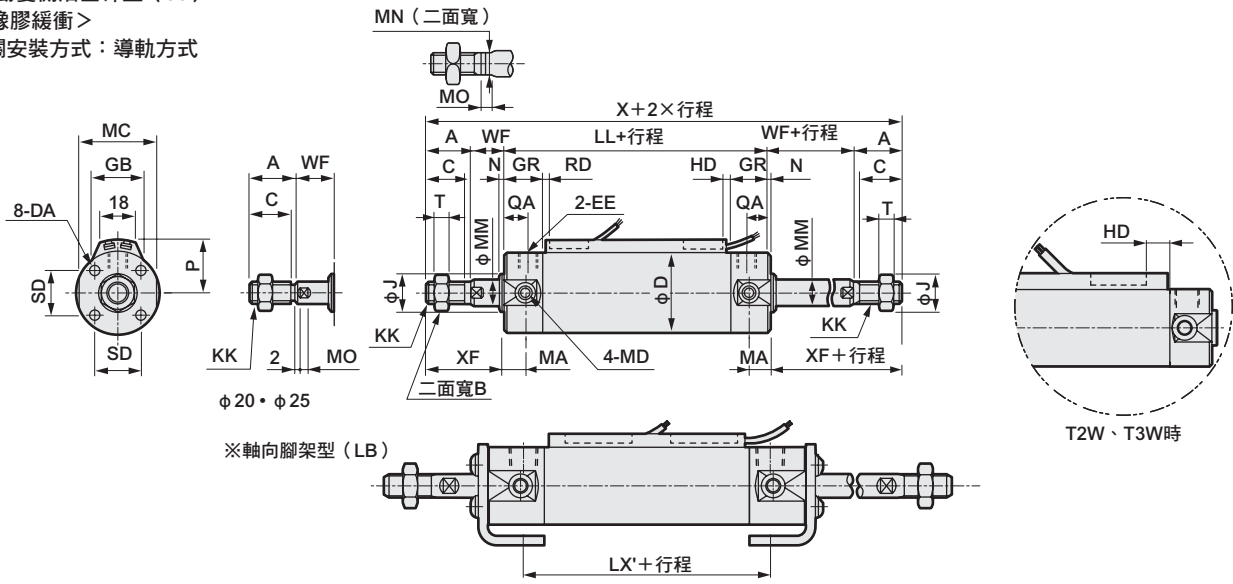
註2：φ 50～φ 100不含③。

|              |
|--------------|
| SCP※3        |
| CMK2         |
| CMA2         |
| <b>SCM</b>   |
| SCG          |
| SCA2         |
| SCS2         |
| CKV2         |
| CAV2・COVPIN2 |
| SSD2         |
| SSG          |
| SSD          |
| CAT          |
| MDC2         |
| MVC          |
| SMG          |
| MSD・MSDG     |
| FC※          |
| STK          |
| SRL3         |
| SRG3         |
| SRM3         |
| SRT3         |
| MRL2         |
| MRG2         |
| SM-25        |
| 緩衝器          |
| FJ           |
| FK           |
| 調速閥          |
| 卷尾           |

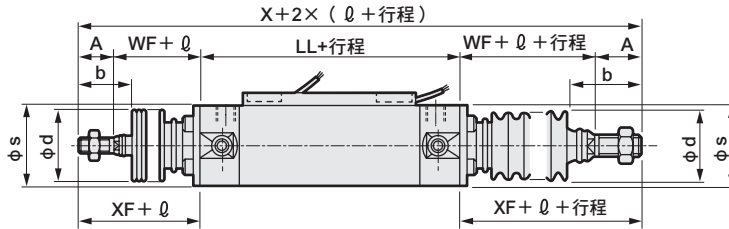


## 外形尺寸圖

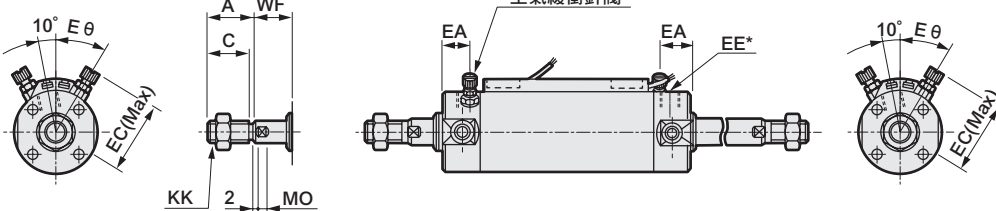
- 複動雙側活塞桿型 (00)
- <附橡膠緩衝>
- 開關安裝方式：導軌方式



附兩側防塵套



- <附空氣緩衝>
- 開關安裝方式：導軌方式



- 註1：φ20、φ25的配管孔口 (EE) 不同。附空氣緩衝尺寸表 (EE\*)。
- 註2：附空氣緩衝的針閥相關尺寸與複動型尺寸相同。請參閱第224頁。
- 註3：左右扳手掛架專用二面寬的位置不固定。
- 註4：雙色顯示方式、斷電延遲式、交流磁場用、T1H/V、T8H/V開關的RD、HD、突出尺寸等，請參閱第329頁。
- 註5：附屬品的外形尺寸圖請參閱第238、239頁。

| 記號   | 基本型 (00) 基本尺寸 |    |    |      |     |         |       |    |    |          |     |    |     |     |    |    |     |    |    |      |
|------|---------------|----|----|------|-----|---------|-------|----|----|----------|-----|----|-----|-----|----|----|-----|----|----|------|
|      | A             | B  | C  | D    | DA  | EE (註)  | GR    | J  | KK | LL       | MA  | MC | MD  | MM  | MN | MO | N   | QA | SD |      |
| SRM3 | φ20           | 18 | 13 | 15.5 | 26  | M4深度6.5 | Rc1/8 | 19 | 12 | M8       | 71  | 11 | 24  | M5  | 8  | 6  | 4   | 2  | 12 | 14   |
| SRT3 | φ25           | 22 | 17 | 19.5 | 31  | M5深度6.5 | Rc1/8 | 19 | 14 | M10×1.25 | 71  | 11 | 29  | M6  | 10 | 8  | 5   | 2  | 12 | 16.5 |
|      | φ32           | 22 | 17 | 19.5 | 38  | M5深度7.5 | Rc1/8 | 19 | 18 | M10×1.25 | 73  | 11 | 36  | M8  | 12 | 10 | 5.5 | 2  | 12 | 20   |
| MRL2 | φ40           | 30 | 22 | 27   | 47  | M6深度12  | Rc1/8 | 20 | 25 | M14×1.5  | 79  | 12 | 44  | M10 | 16 | 14 | 6   | 2  | 13 | 26   |
|      | φ50           | 35 | 27 | 32   | 58  | M8深度16  | Rc1/4 | 25 | 30 | M18×1.5  | 93  | 13 | 55  | M12 | 20 | 17 | 8   | 2  | 15 | 32   |
| MRG2 | φ63           | 35 | 27 | 32   | 72  | M10深度16 | Rc1/4 | 25 | 32 | M18×1.5  | 93  | 13 | 69  | M14 | 20 | 17 | 8   | 2  | 15 | 38   |
|      | φ80           | 40 | 32 | 37   | 89  | M10深度22 | Rc3/8 | 28 | 40 | M22×1.5  | 108 | -  | 80  | -   | 25 | 22 | 11  | 3  | 15 | 50   |
|      | φ100          | 40 | 41 | 37   | 110 | M12深度22 | Rc1/2 | 28 | 50 | M26×1.5  | 108 | -  | 100 | -   | 30 | 27 | 13  | 3  | 15 | 60   |

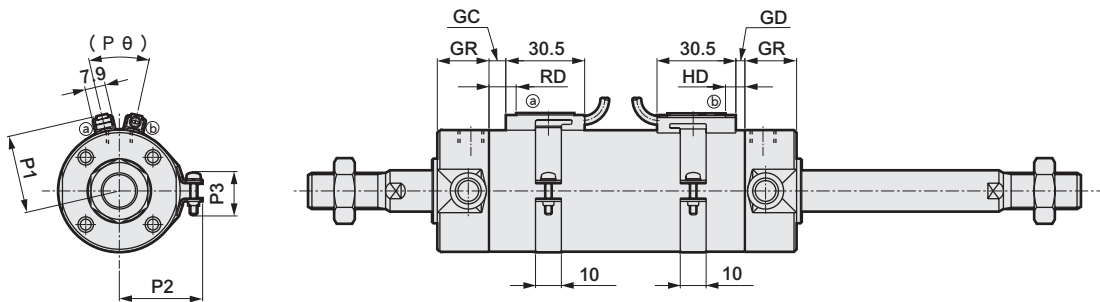
| 記號  | 氣缸內徑 (mm) | 附防塵套 |    |     |    |      |      |    | 附空氣緩衝 |                |      |      | 開關安裝方式：導軌方式 |    |      |      |       |                  |            |       |                  |            |
|-----|-----------|------|----|-----|----|------|------|----|-------|----------------|------|------|-------------|----|------|------|-------|------------------|------------|-------|------------------|------------|
|     |           | T    | WF | X   | XF | LX'  | b    | d  | s     | l              | EA   | EC   | EE*         | Eθ | P    | GB   | HD    |                  | RD         |       |                  |            |
|     |           |      |    |     |    |      |      |    |       |                |      |      |             |    |      |      | T0/T5 | T2/T2R<br>T3/T3P | T2W<br>T3W | T0/T5 | T2/T2R<br>T3/T3P | T2W<br>T3W |
| 緩衝器 | φ20       | 5    | 17 | 141 | 35 | 47.2 | 30   | 30 | 25.7  | (行程/3) +18.5   | 14   | 27   | M5          | 30 | 19.5 | 23   | 3.0   | 6.5              | 8.5        | 7.5   | 7.5              | 9.5        |
|     | φ25       | 6    | 18 | 151 | 40 | 47.2 | 35   | 30 | 30.7  | (行程/3) +20.5   | 14   | 29.5 | M5          | 30 | 22   | 24.4 | 2.0   | 5.5              | 7.5        | 8.5   | 8.5              | 10.5       |
|     | φ32       | 6    | 18 | 153 | 40 | 47.2 | 31.5 | 35 | 37.7  | (行程/3) +19     | 14   | 32.8 | Rc1/8       | 25 | 25.5 | 25   | 3.0   | 6.5              | 8.5        | 9.5   | 9.5              | 11.5       |
| FJ  | φ40       | 8    | 20 | 179 | 50 | 52.2 | 40   | 35 | 46.7  | (行程/3) +18.5   | 15   | 36.6 | Rc1/8       | 20 | 30   | 25.7 | 5.0   | 8.5              | 10.5       | 11.5  | 11.5             | 13.5       |
|     | φ50       | 11   | 23 | 209 | 58 | 58   | 46   | 40 | 57.7  | (行程/3.6) +18.5 | 18.5 | 43   | Rc1/4       | 20 | 35.5 | 26.2 | 7.5   | 11.0             | 13.0       | 13.0  | 13.0             | 15.0       |
| FK  | φ63       | 11   | 23 | 209 | 58 | 58   | 46   | 40 | 71.7  | (行程/3.6) +18.5 | 18.5 | 50   | Rc1/4       | 20 | 42.5 | 26.5 | 7.5   | 11.0             | 13.0       | 13.0  | 13.0             | 15.0       |
|     | φ80       | 13   | 31 | 250 | 71 | 60   | 55   | 50 | 88.7  | (行程/4.3) +14.5 | 20   | 58.5 | Rc3/8       | 20 | 51   | 26.7 | 9.5   | 13.0             | 15.0       | 20.0  | 20.0             | 22.0       |
|     | φ100      | 16   | 31 | 250 | 71 | 60   | 56   | 60 | 109.7 | (行程/4.5) +21   | 20   | 69   | Rc1/2       | 20 | 61.5 | 26.7 | 10.0  | 13.5             | 15.5       | 19.5  | 19.5             | 21.5       |

註：各安裝型式的安裝尺寸與SCM (複動型) 相同。請參閱第226~237頁。唯軸向腳架型 (LB) 請參照上圖。

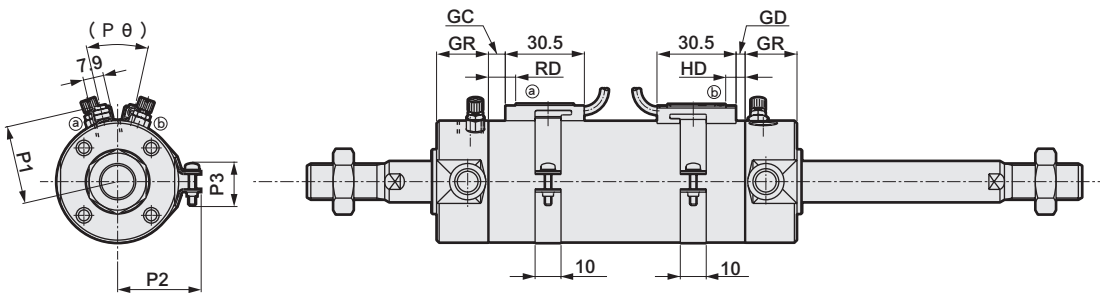
### 外形尺寸圖



- 複動雙側活塞桿型
- <附橡膠緩衝>
- 開關安裝方式：綁帶方式



- <附空氣緩衝>
- 開關安裝方式：綁帶方式



註1：附空氣緩衝的針閥相關尺寸與複動型尺寸相同。請參閱第224頁。  
 註2：左右側扳手固定用二面寬的位置不固定。

註3：雙色顯示方式、斷電延遲式、交流磁場用、T1H/V、T8H/V開關的RD、HD、突出尺寸等，請參閱第329頁。

| 記號<br>氣缸內徑<br>(mm) | 開關安裝方式：綁帶方式 |       |            |       |       |            |    |       |       |            |       |       |            |      | P1   | P2 | P3    | Pθ |
|--------------------|-------------|-------|------------|-------|-------|------------|----|-------|-------|------------|-------|-------|------------|------|------|----|-------|----|
|                    | GC          |       |            | GD    |       |            | GR | HD    |       |            | RD    |       |            |      |      |    |       |    |
|                    | T0/T5       | T2,T3 | T2W<br>T3W | T0/T5 | T2,T3 | T2W<br>T3W |    | T0/T5 | T2,T3 | T2W<br>T3W | T0/T5 | T2,T3 | T2W<br>T3W |      |      |    |       |    |
| φ20                | 3.5         | 3.5   | 5.5        | 2.5   | 2.5   | 4.5        | 19 | 6.5   | 6.5   | 8.5        | 7.5   | 7.5   | 9.5        | 19.6 | 21.5 | 14 | (38°) |    |
| φ25                | 4.5         | 4.5   | 6.5        | 1.5   | 1.5   | 3.5        | 19 | 5.5   | 5.5   | 7.5        | 8.5   | 8.5   | 10.5       | 22.1 | 23.9 | 14 | (34°) |    |
| φ32                | 5.5         | 5.5   | 7.5        | 2.5   | 2.5   | 4.5        | 19 | 6.5   | 6.5   | 8.5        | 9.5   | 9.5   | 11.5       | 25.6 | 27.6 | 16 | (30°) |    |
| φ40                | 7.5         | 7.5   | 9.5        | 4.5   | 4.5   | 6.5        | 20 | 8.5   | 8.5   | 10.5       | 11.5  | 11.5  | 13.5       | 30.2 | 32.1 | 16 | (26°) |    |
| φ50                | 9.0         | 9.0   | 11.0       | 7.0   | 7.0   | 9.0        | 25 | 11.0  | 11.0  | 13.0       | 13.0  | 13.0  | 15.0       | 35.7 | 37.4 | 16 | (22°) |    |
| φ63                | 9.0         | 9.0   | 11.0       | 7.0   | 7.0   | 9.0        | 25 | 11.0  | 11.0  | 13.0       | 13.0  | 13.0  | 15.0       | 42.7 | 44.4 | 16 | (20°) |    |
| φ80                | 16.0        | 16.0  | 18.0       | 9.0   | 9.0   | 11.0       | 28 | 13.0  | 13.0  | 15.0       | 20.0  | 20.0  | 22.0       | 51.2 | 53.0 | 16 | (16°) |    |
| φ100               | 15.5        | 15.5  | 17.5       | 9.5   | 9.5   | 11.5       | 28 | 13.5  | 13.5  | 15.5       | 19.5  | 19.5  | 21.5       | 61.7 | 63.5 | 16 | (16°) |    |

※附屬品的外形尺寸圖請參閱第238、239頁。

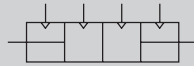
- SCP※3
- CMK2
- CMA2
- SCM**
- SCG
- SCA2
- SCS2
- CKV2
- CAV2・COV/PIN2
- SSD2
- SSG
- SSD
- CAT
- MDC2
- MVC
- SMG
- MSD・MSDG
- FC※
- STK
- SRL3
- SRG3
- SRM3
- SRT3
- MRL2
- MRG2
- SM-25
- 緩衝器
- FJ
- FK
- 調速閥
- 卷尾

微型氣缸  
複動、背對背型

# SCM-B Series

● 氣缸內徑：φ 20、φ 25、φ 32、φ 40、φ 50、φ 63

JIS記號



## 規格

| 項目     | SCM-B                   |                             |      |                  |                  |      |      |  |
|--------|-------------------------|-----------------------------|------|------------------|------------------|------|------|--|
| 氣缸內徑   | mm                      | φ 20                        | φ 25 | φ 32             | φ 40             | φ 50 | φ 63 |  |
| 動作方式   | 複動、背對背型                 |                             |      |                  |                  |      |      |  |
| 使用流體   | 壓縮空氣                    |                             |      |                  |                  |      |      |  |
| 最高使用壓力 | MPa                     | 1.0                         |      |                  |                  |      |      |  |
| 最低使用壓力 | MPa                     | 0.1                         |      |                  |                  |      | 0.05 |  |
| 耐壓力    | MPa                     | 1.6                         |      |                  |                  |      |      |  |
| 環境溫度   | °C                      | -10~60 (避免結凍)               |      |                  |                  |      |      |  |
| 連接口徑   |                         | Rc1/8                       |      |                  | Rc1/4            |      |      |  |
| 行程容許差  | mm                      | +1.4<br>0 (~500)            |      | +1.4<br>0 (~750) | +2.3<br>0 (~750) |      |      |  |
| 使用活塞速度 | mm/s                    | 30~1000 (使用時不得超過吸收能量的容許範圍。) |      |                  |                  |      |      |  |
| 緩衝     | 橡膠緩衝                    |                             |      |                  |                  |      |      |  |
| 給油     | 不要 (給油時請使用渦輪機油ISO VG32) |                             |      |                  |                  |      |      |  |
| 容許吸收能量 | J                       | 0.1                         | 0.2  | 0.5              | 0.9              | 1.6  | 1.6  |  |

## 行程

| 氣缸內徑 (mm) | 標準行程 (mm)                              | 最大行程 (mm) | 最小行程 (mm) |
|-----------|--|-----------|-----------|
| φ 20      | 25、50、75<br>100、125、150<br>200、250、300 | 500       | 10        |
| φ 25      |  |           |           |
| φ 32      |  |           |           |
| φ 40      |  |           |           |
| φ 50      | 750                                    | 750       | 10        |
| φ 63      |  |           |           |

註1：中間行程的製作規格間距為1mm。

## 開關安裝數量及最小行程 (mm)

● 開關安裝方式：導軌方式

| 開關數量<br>氣缸內徑<br>(mm) | 1     |         |      |     | 2     |         |      |     | 3     |         |      |     | 4     |         |      |     | 5     |         |      |     |
|----------------------|-------|---------|------|-----|-------|---------|------|-----|-------|---------|------|-----|-------|---------|------|-----|-------|---------|------|-----|
|                      | 無接點   |         |      | 有接點 | 無接點   |         |      | 有接點 | 無接點   |         |      | 有接點 | 無接點   |         |      | 有接點 | 無接點   |         |      | 有接點 |
|                      | T2,T3 | T2W,T3W | T×Y※ |     | T2,T3 | T2W,T3W | T×Y※ |     | T2,T3 | T2W,T3W | T×Y※ |     | T2,T3 | T2W,T3W | T×Y※ |     | T2,T3 | T2W,T3W | T×Y※ |     |
| φ 20                 | 10    |         |      |     | 25    |         |      |     | 50    | 70      | 70   | 55  | 55    | 70      | 70   | 55  | 75    | 110     | 110  | 90  |
| φ 25                 | 10    |         |      |     | 25    |         |      |     | 50    | 70      | 70   | 55  | 55    | 70      | 70   | 55  | 75    | 110     | 110  | 90  |
| φ 32                 | 10    |         |      |     | 25    |         |      |     | 50    | 70      | 70   | 55  | 55    | 70      | 70   | 55  | 75    | 110     | 110  | 90  |
| φ 40                 | 10    |         |      |     | 25    |         |      |     | 50    | 70      | 70   | 55  | 55    | 70      | 70   | 55  | 75    | 110     | 110  | 90  |
| φ 50                 | 10    |         |      |     | 25    |         |      |     | 50    | 65      | 65   | 55  | 55    | 65      | 65   | 55  | 75    | 110     | 110  | 90  |
| φ 63                 | 10    |         |      |     | 25    |         |      |     | 50    | 65      | 65   | 55  | 55    | 65      | 65   | 55  | 75    | 110     | 110  | 90  |

● 開關安裝方式：綁帶方式

| 開關數量<br>氣缸內徑<br>(mm) | 1     |         |      |     | 2     |         |      |     | 3     |         |      |     | 4     |         |      |     | 5     |         |      |     |
|----------------------|-------|---------|------|-----|-------|---------|------|-----|-------|---------|------|-----|-------|---------|------|-----|-------|---------|------|-----|
|                      | 無接點   |         |      | 有接點 | 無接點   |         |      | 有接點 | 無接點   |         |      | 有接點 | 無接點   |         |      | 有接點 | 無接點   |         |      | 有接點 |
|                      | T2,T3 | T2W,T3W | T×Y※ |     | T2,T3 | T2W,T3W | T×Y※ |     | T2,T3 | T2W,T3W | T×Y※ |     | T2,T3 | T2W,T3W | T×Y※ |     | T2,T3 | T2W,T3W | T×Y※ |     |
| φ 20                 | 10    |         |      |     | 25    | 30      | 35   | 25  | 50    | 55      | 55   | 50  | 75    | 75      | 80   | 70  | 95    | 100     | 100  | 95  |
| φ 25                 | 10    |         |      |     | 25    | 30      | 35   | 25  | 50    | 55      | 55   | 50  | 75    | 75      | 80   | 70  | 95    | 100     | 100  | 95  |
| φ 32                 | 10    |         |      |     | 25    | 30      | 35   | 25  | 50    | 55      | 55   | 50  | 75    | 75      | 80   | 70  | 95    | 100     | 100  | 95  |
| φ 40                 | 10    |         |      |     | 25    | 30      | 35   | 25  | 50    | 55      | 55   | 50  | 75    | 75      | 80   | 70  | 95    | 100     | 100  | 95  |
| φ 50                 | 10    |         |      |     | 25    | 30      | 35   | 25  | 50    | 55      | 55   | 50  | 75    | 75      | 80   | 70  | 95    | 100     | 100  | 95  |
| φ 63                 | 10    |         |      |     | 25    | 30      | 35   | 25  | 50    | 55      | 55   | 50  | 75    | 75      | 80   | 70  | 95    | 100     | 100  | 95  |

註1：由於附1個開關且行程10mm以上未滿25mm的規格，其開關導軌安裝位置會改變，因此無法製作安裝型式耳軸型。另外，安裝位置請參閱第329頁。



### 開關規格

● 單色/雙色顯示方式

| 項目   | 無接點2線式                           |                       |                         |                         | 無接點3線式         |                      |                         |                         | 有接點2線式          |            |                                 |            | 無接點2線式         |          |                         |           |
|------|----------------------------------|-----------------------|-------------------------|-------------------------|----------------|----------------------|-------------------------|-------------------------|-----------------|------------|---------------------------------|------------|----------------|----------|-------------------------|-----------|
|      | T1H・T1V                          | T2H・T2V・<br>T2JH・T2JV | T2YH・<br>T2YV           | T2WH・<br>T2WV           | T3H・T3V        | T3PH・T3PV<br>(接單生產)  | T3YH・<br>T3YV           | T3WH・<br>T3WV           | T0H・T0V         | T5H・T5V    | T8H・T8V                         |            | T2YD           |          |                         |           |
| 用途   | 可程式控制器<br>繼電器、小型電磁開關             |                       | 可程式控制器專用                |                         | 可程式控制器、繼電器用    |                      |                         |                         | 可程式控制器、<br>繼電器用 |            | 可程式控制器、繼電器用<br>IC選路(無顯示燈)、串聯連接用 |            | 可程式<br>控制器專用   |          |                         |           |
| 輸出方式 | -                                |                       |                         |                         | NPN輸出          | PNP輸出                | NPN輸出                   | NPN輸出                   | -               |            |                                 |            |                |          |                         |           |
| 電源電壓 | -                                |                       |                         |                         | DC10~28V       |                      |                         |                         | -               |            |                                 |            |                |          |                         |           |
| 負載電壓 | AC85~265V                        | DC10~30V              | DC24V±10%               |                         | DC30V以下        |                      |                         |                         | DC12/24V        | AC100/110V | DC5/12/24V                      | AC100/110V | DC12/24V       | AC110V   | AC220V                  | DC24V±10% |
| 負載電流 | 5~100mA                          | 5~20mA (註2)           |                         |                         | 100mA以下        |                      | 50mA以下                  |                         | 5~50mA          | 7~20mA     | 50mA以下                          | 20mA以下     | 5~50mA         | 7~20mA   | 7~10mA                  | 5~20mA    |
| 顯示燈  | LED<br>(ON時亮燈)                   | LED<br>(ON時亮燈)        | 紅色/綠色<br>LED<br>(ON時亮燈) | 紅色/綠色<br>LED<br>(ON時亮燈) | LED<br>(ON時亮燈) | 黃色<br>LED<br>(ON時亮燈) | 紅色/綠色<br>LED<br>(ON時亮燈) | 紅色/綠色<br>LED<br>(ON時亮燈) | LED<br>(ON時亮燈)  |            | 無顯示燈                            |            | LED<br>(ON時亮燈) |          | 紅色/綠色<br>LED<br>(ON時亮燈) |           |
| 漏電電流 | AC100V時電流小於1mA<br>AC200V時電流小於2mA | 1mA以下                 |                         |                         | 10µA以下         |                      |                         |                         | 0mA             |            |                                 |            |                | 1mA以下    |                         |           |
| 重量 g | 1m : 33                          | 1m : 18               | 1m : 33                 | 1m : 18                 | 1m : 18        | 1m : 33              | 1m : 18                 | 1m : 18 3m : 49 5m : 80 |                 |            |                                 |            | 1m : 33        | 1m : 61  |                         |           |
|      | 3m : 87                          | 3m : 49               | 3m : 87                 | 3m : 49                 | 3m : 49        | 3m : 87              | 3m : 49                 | 3m : 49 5m : 80         |                 |            |                                 |            | 3m : 87        | 3m : 166 |                         |           |
|      | 5m : 142                         | 5m : 80               | 5m : 142                | 5m : 80                 | 5m : 80        | 5m : 142             | 5m : 80                 | 5m : 80                 |                 |            |                                 |            | 5m : 142       | 5m : 272 |                         |           |

註1：其他開關規格，請參閱卷尾第1頁。

註2：上述負載電流的最大值：20mA為溫度25°C時的數值。開關使用環境溫度若高於25°C，電流將降至低於20mA。  
(溫度到達60°C時，則電流為5~10mA。)

註3：T0/T5開關也可使用AC220V。關於使用條件，請洽詢本公司。

註4：交流磁場用開關(T2YD)於直流磁場環境下無法使用。

註5：外形尺寸視開關型號而異。詳細內容請參閱卷尾第18頁。

### 氣缸重量

(單位：kg)

| 項目、安裝型式  | 行程(S)=0mm時的產品重量 | 累計重量    |      |       |      | 開關重量<br>(每1個)          | S=10mm時<br>的累計重量 | S=10mm時的<br>累計重量(開關軌) | 1個開關的<br>綁帶重量 |
|----------|-----------------|---------|------|-------|------|------------------------|------------------|-----------------------|---------------|
|          |                 | 基本型(00) | 基本型  | 軸向腳架型 | 法蘭型  |                        |                  |                       |               |
| 氣缸內徑(mm) |                 |         |      |       |      |                        |                  |                       |               |
| φ20      | 0.10            | 0.00    | 0.11 | 0.03  | 0.01 | 請參閱開關<br>規格內記載<br>的重量。 | 0.01             | 0.012                 | 0.007         |
| φ25      | 0.17            | 0.00    | 0.13 | 0.04  | 0.02 |                        | 0.014            | 0.016                 | 0.007         |
| φ32      | 0.26            | 0.02    | 0.18 | 0.08  | 0.05 |                        | 0.018            | 0.02                  | 0.007         |
| φ40      | 0.41            | 0.05    | 0.27 | 0.13  | 0.10 |                        | 0.03             | 0.032                 | 0.007         |
| φ50      | 0.77            | 0.07    | 0.55 | 0.41  | 0.21 |                        | 0.044            | 0.046                 | 0.008         |
| φ63      | 1.07            | 0.11    | 0.83 | 0.61  | 0.25 |                        | 0.052            | 0.054                 | 0.009         |

(範例) SCM-B-LB-40D-25-T2H-D-D50-T2H-R  
的產品重量

〈S1的重量〉

S=0mm時的產品重量……………0.41kg

S=25mm時的累計重量…………… $0.032 \times \frac{25}{10} = 0.08\text{kg}$

2個開關的重量……………0.036kg

S1的重量…………… $0.41\text{kg} + 0.08\text{kg} + 0.036\text{kg} = 0.526\text{kg}$

〈S2的重量〉

S=0mm時的產品重量……………0.41kg

S=50mm時的累計重量…………… $0.032 \times \frac{25}{10} = 0.16\text{kg}$

1個開關的重量……………0.018kg

S2的重量…………… $0.63\text{kg} + 0.16\text{kg} + 0.018\text{kg} = 0.588\text{kg}$

產品重量(S1的重量+S2的重量+累計重量)…………… $0.526\text{kg} + 0.588\text{kg} + 0.27\text{kg} = 1.384\text{kg}$

### 理論推力表

(單位：N)

| 氣缸內徑<br>(mm) | 動作方向 | 使用壓力 MPa           |                    |                    |                    |                    |                    |                    |                    |                    |                    |                    |
|--------------|------|--------------------|--------------------|--------------------|--------------------|--------------------|--------------------|--------------------|--------------------|--------------------|--------------------|--------------------|
|              |      | 0.1                | 0.15               | 0.2                | 0.3                | 0.4                | 0.5                | 0.6                | 0.7                | 0.8                | 0.9                | 1.0                |
| φ20          | Push | 31.4               | 47.1               | 62.8               | 94.2               | $1.26 \times 10^2$ | $1.57 \times 10^2$ | $1.88 \times 10^2$ | $2.20 \times 10^2$ | $2.51 \times 10^2$ | $2.83 \times 10^2$ | $3.14 \times 10^2$ |
|              | Pull | 26.4               | 39.6               | 52.8               | 79.2               | $1.06 \times 10^2$ | $1.32 \times 10^2$ | $1.58 \times 10^2$ | $1.85 \times 10^2$ | $2.11 \times 10^2$ | $2.38 \times 10^2$ | $2.64 \times 10^2$ |
| φ25          | Push | 49.1               | 73.6               | 98.2               | $1.47 \times 10^2$ | $1.96 \times 10^2$ | $2.45 \times 10^2$ | $2.95 \times 10^2$ | $3.44 \times 10^2$ | $3.93 \times 10^2$ | $4.42 \times 10^2$ | $4.91 \times 10^2$ |
|              | Pull | 41.2               | 61.9               | 82.5               | $1.24 \times 10^2$ | $1.65 \times 10^2$ | $2.06 \times 10^2$ | $2.47 \times 10^2$ | $2.89 \times 10^2$ | $3.30 \times 10^2$ | $3.71 \times 10^2$ | $4.12 \times 10^2$ |
| φ32          | Push | 80.4               | $1.21 \times 10^2$ | $1.61 \times 10^2$ | $2.41 \times 10^2$ | $3.22 \times 10^2$ | $4.02 \times 10^2$ | $4.83 \times 10^2$ | $5.63 \times 10^2$ | $6.43 \times 10^2$ | $7.24 \times 10^2$ | $8.04 \times 10^2$ |
|              | Pull | 69.1               | $1.04 \times 10^2$ | $1.38 \times 10^2$ | $2.07 \times 10^2$ | $2.76 \times 10^2$ | $3.46 \times 10^2$ | $4.15 \times 10^2$ | $4.84 \times 10^2$ | $5.53 \times 10^2$ | $6.22 \times 10^2$ | $6.91 \times 10^2$ |
| φ40          | Push | $1.26 \times 10^2$ | $1.88 \times 10^2$ | $2.51 \times 10^2$ | $3.77 \times 10^2$ | $5.03 \times 10^2$ | $6.28 \times 10^2$ | $7.54 \times 10^2$ | $8.80 \times 10^2$ | $1.01 \times 10^3$ | $1.13 \times 10^3$ | $1.26 \times 10^3$ |
|              | Pull | $1.06 \times 10^2$ | $1.58 \times 10^2$ | $2.11 \times 10^2$ | $3.17 \times 10^2$ | $4.22 \times 10^2$ | $5.28 \times 10^2$ | $6.33 \times 10^2$ | $7.39 \times 10^2$ | $8.44 \times 10^2$ | $9.50 \times 10^2$ | $1.06 \times 10^3$ |
| φ50          | Push | $1.96 \times 10^2$ | $2.95 \times 10^2$ | $3.93 \times 10^2$ | $5.89 \times 10^2$ | $7.85 \times 10^2$ | $9.82 \times 10^2$ | $1.18 \times 10^3$ | $1.37 \times 10^3$ | $1.57 \times 10^3$ | $1.77 \times 10^3$ | $1.96 \times 10^3$ |
|              | Pull | $1.65 \times 10^2$ | $2.47 \times 10^2$ | $3.30 \times 10^2$ | $4.95 \times 10^2$ | $6.60 \times 10^2$ | $8.25 \times 10^2$ | $9.90 \times 10^2$ | $1.15 \times 10^3$ | $1.32 \times 10^3$ | $1.48 \times 10^3$ | $1.65 \times 10^3$ |
| φ63          | Push | $3.12 \times 10^2$ | $4.68 \times 10^2$ | $6.23 \times 10^2$ | $9.35 \times 10^2$ | $1.25 \times 10^3$ | $1.56 \times 10^3$ | $1.87 \times 10^3$ | $2.18 \times 10^3$ | $2.49 \times 10^3$ | $2.81 \times 10^3$ | $3.12 \times 10^3$ |
|              | Pull | $2.80 \times 10^2$ | $4.20 \times 10^2$ | $5.61 \times 10^2$ | $8.41 \times 10^2$ | $1.12 \times 10^3$ | $1.40 \times 10^3$ | $1.68 \times 10^3$ | $1.96 \times 10^3$ | $2.24 \times 10^3$ | $2.52 \times 10^3$ | $2.80 \times 10^3$ |

# SCM-B Series

## 型號標示方法

無開關（內置開關用磁鐵）



附開關（內置開關用磁鐵）



**A** 安裝型式  
註1

**B** 氣缸內徑

**C** 配管螺牙種類

**D** 緩衝

**D** 緩衝

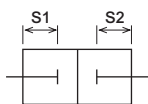
**E** 行程=S1

**E** 行程=S2

**F** 開關型號  
註4  
註3

**F** 開關型號

氣缸1行程 25mm標示為S1  
+氣缸2行程 50mm標示為S2  
總行程 75mm S1+S2



### 選定型號時的注意事項

- 註1：安裝固定架將添附於產品內一併出貨。
- 註2：防塵套且安裝固定架為LB、FA、TA時，為組裝後出貨。
- 註3：關於開關安裝數量及最小行程，請參閱第300頁。
- 註4：除了**F**所示的開關型號外，亦備有其他開關可供選擇。（接單生產）  
詳細內容請參閱卷尾第1頁。
- 註5：若氣缸內徑為φ20~φ40且開關安裝方式採導軌方式，將無法配置T8H/V開關。
- 註6：瞬間最高溫度是指火花或切削粉末等瞬間接觸到防塵套時的溫度。
- 註7：有關活塞桿前端外形製作規格，請參閱卷尾第85頁。
- 註8：開關安裝方式若選定「Z」，將無法選定添附開關導軌出貨「Q」之選項。
- 註9：開關將添附於產品內一併出貨。如需組裝產品後出貨，請洽詢本公司。

### 〈型號標示範例〉

**SCM-B-LB-40-D25-T0H-D-D50-T0H-R-JY**

機型：微型氣缸 複動、背對背型

- A** 安裝型式：軸向腳架型
- B** 氣缸內徑：φ40mm
- C** 配管螺牙種類：Rc螺牙
- D** 緩衝：附兩側橡膠緩衝
- E** 行程：S1=25mm } 氣缸1
- D** 緩衝：附兩側橡膠緩衝
- E** 行程：S2=50mm } 氣缸2
- F** 開關型號：有接點T0H開關、導線1m
- G** 開關數量：氣缸1；附2個、氣缸2；活塞桿側附1個
- H** 開關安裝方式：導軌方式
- I** 選購品：防塵套材質、最高環境溫度60°C用
- J** 附屬品：二山關節

**H** 開關安裝方式

**I** 選購品  
註2  
註6  
註8

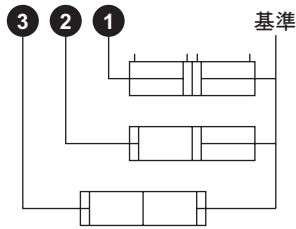
**J** 附屬品

| 記號                 | 內容                    |         |             |        |              |
|--------------------|-----------------------|---------|-------------|--------|--------------|
| <b>A 安裝型式</b>      |                       |         |             |        |              |
| 00                 | 基本型                   |         |             |        |              |
| LB                 | 軸向腳架型                 |         |             |        |              |
| FA                 | 氣缸1側法蘭型               |         |             |        |              |
| FB                 | 氣缸2側法蘭型               |         |             |        |              |
| TA                 | 氣缸1側耳軸型               |         |             |        |              |
| TB                 | 氣缸2側耳軸型               |         |             |        |              |
| <b>B 氣缸內徑 (mm)</b> |                       |         |             |        |              |
| 20                 | φ20                   |         |             |        |              |
| 25                 | φ25                   |         |             |        |              |
| 32                 | φ32                   |         |             |        |              |
| 40                 | φ40                   |         |             |        |              |
| 50                 | φ50                   |         |             |        |              |
| 63                 | φ63                   |         |             |        |              |
| <b>C 配管螺牙種類</b>    |                       |         |             |        |              |
| 無記號                | Rc螺牙                  |         |             |        |              |
| N                  | NPT螺牙（接單生產）           |         |             |        |              |
| G                  | G螺牙（接單生產）             |         |             |        |              |
| <b>D 緩衝</b>        |                       |         |             |        |              |
| D                  | 附兩側橡膠緩衝               |         |             |        |              |
| <b>E 行程 (mm)</b>   |                       |         |             |        |              |
| 氣缸內徑               | 行程註2                  | 中間行程    |             |        |              |
| φ20~φ32            | 10~500                | 以1mm為單位 |             |        |              |
| φ40~φ63            | 10~750                |         |             |        |              |
| <b>F 開關型號</b>      |                       |         |             |        |              |
| 導線直型               | 導線L型                  | 接點      | 電壓          | 顯示     | 導線           |
| T0H※               | T0V※                  | 有接點     | ● ●         | 單色顯示方式 | 2線           |
| T5H※               | T5V※                  |         | ● ●         | 無顯示燈   |              |
| T8H※               | T8V※                  |         | ● ●         | 單色顯示方式 |              |
| T1H※               | T1V※                  | 無接點     | ●           | 單色顯示方式 | 2線           |
| T2H※               | T2V※                  |         | ●           |        |              |
| T3H※               | T3V※                  |         | ●           | 3線     |              |
| T3PH※              | T3PV※                 |         | ●           |        | 單色顯示方式（接單生產） |
| T2WH※              | T2WV※                 |         | ●           | 雙色顯示方式 | 2線           |
| T2YH※              | T2YV※                 |         | ●           |        |              |
| T3WH※              | T3WV※                 |         | ●           | 3線     |              |
| T3YH※              | T3YV※                 |         | ●           |        |              |
| T2YD※              | -                     |         | ●           | 雙色顯示方式 | 2線           |
| T2YDT※             | -                     |         | ●           | 交流磁場用  |              |
| T2JH※              | T2JV※                 | ●       | 單色顯示方式斷電延遲型 | 2線     |              |
| <b>※導線長度</b>       |                       |         |             |        |              |
| 無記號                | 1m（標準）                |         |             |        |              |
| 3                  | 3m（選購品）               |         |             |        |              |
| 5                  | 5m（選購品）               |         |             |        |              |
| <b>G 開關數量</b>      |                       |         |             |        |              |
| R                  | 活塞桿側附1個               |         |             |        |              |
| H                  | 頭蓋側附1個                |         |             |        |              |
| D                  | 附2個                   |         |             |        |              |
| T                  | 附3個                   |         |             |        |              |
| 4                  | 附4個（如開關為4個以上，則加入開關數量） |         |             |        |              |
| <b>H 開關安裝方式</b>    |                       |         |             |        |              |
| 無記號                | 導軌方式                  |         |             |        |              |
| Z                  | 綁帶方式                  |         |             |        |              |
| <b>I 選購品</b>       |                       |         |             |        |              |
|                    |                       | 最高環境溫度  | 瞬間最高溫度      |        |              |
| J                  | 防塵套                   | 60°C    | 100°C       |        |              |
| K                  | 防塵套                   | 100°C   | 200°C       |        |              |
| L                  | 防塵套                   | 250°C   | 400°C       |        |              |
| Q                  | 開關導軌添附出貨              |         |             |        |              |
| M                  | 活塞桿材質（不鏽鋼）            |         |             |        |              |
| P6                 | 銅離子防止處理               |         |             |        |              |
| <b>J 附屬品</b>       |                       |         |             |        |              |
| I                  | 一山關節                  |         |             |        |              |
| Y                  | 二山關節（附插銷及止環）          |         |             |        |              |
| B2                 | 二山固定架                 |         |             |        |              |

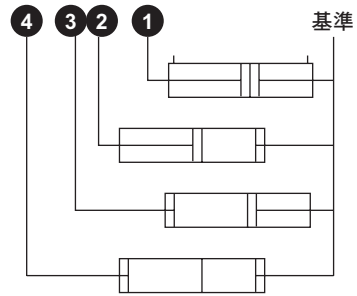


## 使用範例

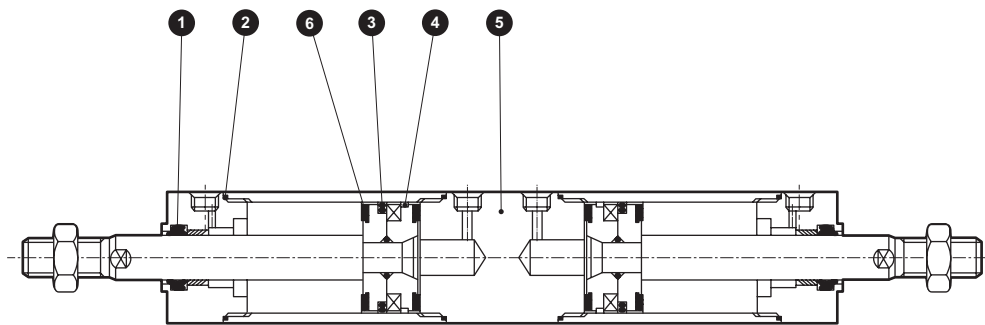
搭配同一種行程時，  
將產生3種位置。



搭配不同行程時，  
將產生4種位置。



## 內部結構及零件一覽表



| 編號 | 零件名稱  | 材質   | 備註 | 編號 | 零件名稱 | 材質    | 備註 |
|----|-------|------|----|----|------|-------|----|
| 1  | 活塞桿墊圈 | 丁腈橡膠 |    | 4  | 耐磨環  | 聚縮醛樹脂 |    |
| 2  | 氣缸墊片  | 丁腈橡膠 |    | 5  | 中間護蓋 | 鋁合金   | 烤漆 |
| 3  | 活塞墊圈  | 丁腈橡膠 |    | 6  | 緩衝橡膠 | 聚氨酯橡膠 |    |

上述以外的零件皆與複動型相同。

## 消耗性零件一覽表

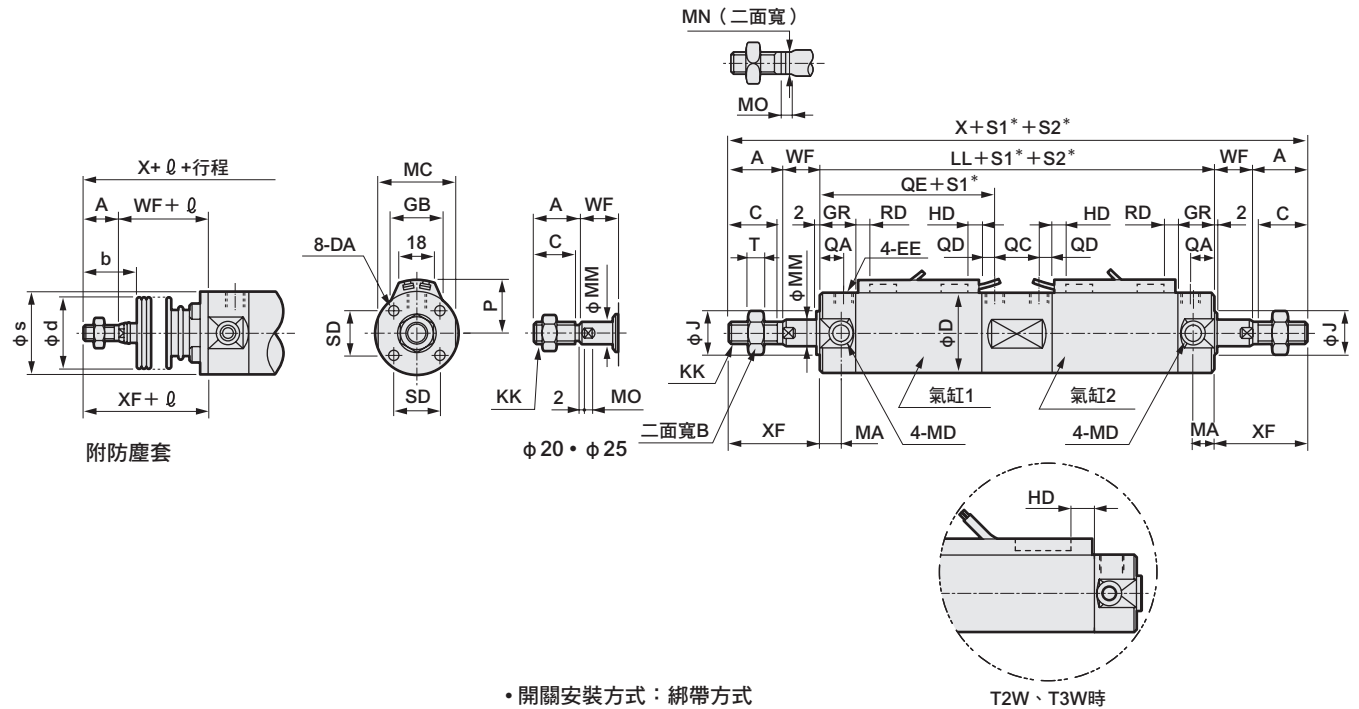
| 氣缸內徑 (mm) | 套件編號       | 消耗性零件編號 |
|-----------|------------|---------|
| φ 20      | SCM-B-20DK |         |
| φ 25      | SCM-B-25DK |         |
| φ 32      | SCM-B-32DK |         |
| φ 40      | SCM-B-40DK |         |
| φ 50      | SCM-B-50DK |         |
| φ 63      | SCM-B-63DK |         |

### 外形尺寸圖

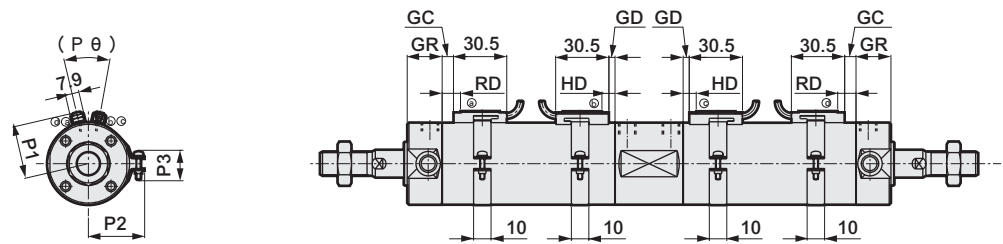


● 複動背對背型

● 開關安裝方式：導軌方式



● 開關安裝方式：綁帶方式



註1：雙色顯示方式、斷電延遲式、交流磁場用、T1H/V、T8H/V開關的RD、HD、突出尺寸等，請參閱第329頁。

\*：S1=氣缸1行程、S2=氣缸2行程

| 記號        | 基本型 (00) 基本尺寸 |    |      |    |         |       |    |    |          |     |    |    |     |    |    |     |    |    |
|-----------|---------------|----|------|----|---------|-------|----|----|----------|-----|----|----|-----|----|----|-----|----|----|
| 氣缸內徑 (mm) | A             | B  | C    | D  | DA      | EE    | GR | J  | KK       | LL  | MA | MC | MD  | MM | MN | MO  | QA | QC |
| φ 20      | 18            | 13 | 15.5 | 26 | M4深度6.5 | Rc1/8 | 19 | 12 | M8       | 137 | 11 | 24 | M5  | 8  | 6  | 4   | 12 | 19 |
| φ 25      | 22            | 17 | 19.5 | 31 | M5深度6.5 | Rc1/8 | 19 | 14 | M10×1.25 | 137 | 11 | 29 | M6  | 10 | 8  | 5   | 12 | 19 |
| φ 32      | 22            | 17 | 19.5 | 38 | M5深度7.5 | Rc1/8 | 19 | 18 | M10×1.25 | 143 | 11 | 36 | M8  | 12 | 10 | 5.5 | 12 | 21 |
| φ 40      | 30            | 22 | 27   | 47 | M6深度12  | Rc1/8 | 20 | 25 | M14×1.5  | 157 | 12 | 44 | M10 | 16 | 14 | 6   | 13 | 25 |
| φ 50      | 35            | 27 | 32   | 58 | M8深度16  | Rc1/4 | 25 | 30 | M18×1.5  | 184 | 13 | 55 | M12 | 20 | 17 | 8   | 15 | 28 |
| φ 63      | 35            | 27 | 32   | 72 | M10深度16 | Rc1/4 | 25 | 32 | M18×1.5  | 184 | 13 | 69 | M14 | 20 | 17 | 8   | 15 | 28 |

| 記號   | 附防塵套  |       |         |       |       |         |       |       |         |       | 開關安裝方式：導軌方式   |         |       |       |         |       |       |         |      |
|------|-------|-------|---------|-------|-------|---------|-------|-------|---------|-------|---------------|---------|-------|-------|---------|-------|-------|---------|------|
|      | QD    |       | QE      | SD    | T     | WF      | X     | XF    | b       | d     | s             | HD      |       |       |         | RD    |       |         |      |
|      | T0/T5 | T2/T3 | T2W/T3W | T0/T5 | T2/T3 | T2W/T3W | T0/T5 | T2/T3 | T2W/T3W | T0/T5 | T2/T3         | T2W/T3W | T0/T5 | T2/T3 | T2W/T3W | T0/T5 | T2/T3 | T2W/T3W |      |
| φ 20 | 7     | 59    | 14      | 5     | 17    | 207     | 35    | 30    | 30      | 25.7  | (行程/3)+18.5   | 19.5    | 23    | 3.0   | 6.5     | 8.5   | 7.5   | 7.5     | 9.5  |
| φ 25 | 7     | 59    | 16.5    | 6     | 18    | 217     | 40    | 35    | 30      | 30.7  | (行程/3)+20.5   | 22      | 24.4  | 2.0   | 5.5     | 7.5   | 8.5   | 8.5     | 10.5 |
| φ 32 | 7     | 61    | 20      | 6     | 18    | 223     | 40    | 31.5  | 35      | 37.7  | (行程/3)+19     | 25.5    | 25    | 3.0   | 6.5     | 8.5   | 9.5   | 9.5     | 11.5 |
| φ 40 | 7     | 66    | 26      | 8     | 20    | 257     | 50    | 40    | 35      | 46.7  | (行程/3)+18.5   | 30      | 25.7  | 5.0   | 8.5     | 10.5  | 11.5  | 11.5    | 13.5 |
| φ 50 | 10    | 78    | 32      | 11    | 23    | 300     | 58    | 46    | 40      | 57.7  | (行程/3.6)+18.5 | 35.5    | 26.2  | 7.5   | 11.0    | 13.0  | 13.0  | 13.0    | 15.0 |
| φ 63 | 10    | 78    | 38      | 11    | 23    | 300     | 58    | 46    | 40      | 71.7  | (行程/3.6)+18.5 | 42.5    | 26.5  | 7.5   | 11.0    | 13.0  | 13.0  | 13.0    | 15.0 |

| 記號   | 開關安裝方式：綁帶方式 |       |         |       |       |         |       |       |         |       |       |         |      |      |    |       |
|------|-------------|-------|---------|-------|-------|---------|-------|-------|---------|-------|-------|---------|------|------|----|-------|
|      | GC          |       |         | GD    |       |         | HD    |       |         | RD    |       |         | P1   | P2   | P3 | Pθ    |
|      | T0/T5       | T2/T3 | T2W/T3W | T0/T5 | T2/T3 | T2W/T3W | T0/T5 | T2/T3 | T2W/T3W | T0/T5 | T2/T3 | T2W/T3W |      |      |    |       |
| φ 20 | 3.5         | 3.5   | 5.5     | 2.5   | 2.5   | 4.5     | 6.5   | 6.5   | 8.5     | 7.5   | 7.5   | 9.5     | 19.6 | 21.5 | 14 | (38°) |
| φ 25 | 4.5         | 4.5   | 6.5     | 1.5   | 1.5   | 3.5     | 5.5   | 5.5   | 7.5     | 8.5   | 8.5   | 10.5    | 22.1 | 23.9 | 14 | (34°) |
| φ 32 | 5.5         | 5.5   | 7.5     | 2.5   | 2.5   | 4.5     | 6.5   | 6.5   | 8.5     | 9.5   | 9.5   | 11.5    | 25.6 | 27.6 | 16 | (30°) |
| φ 40 | 7.5         | 7.5   | 9.5     | 4.5   | 4.5   | 6.5     | 8.5   | 8.5   | 10.5    | 11.5  | 11.5  | 13.5    | 30.2 | 32.1 | 16 | (26°) |
| φ 50 | 9.0         | 9.0   | 11.0    | 7.0   | 7.0   | 9.0     | 11.0  | 11.0  | 13.0    | 13.0  | 13.0  | 15.0    | 35.7 | 37.4 | 16 | (22°) |
| φ 63 | 9.0         | 9.0   | 11.0    | 7.0   | 7.0   | 9.0     | 11.0  | 11.0  | 13.0    | 13.0  | 13.0  | 15.0    | 42.7 | 44.4 | 16 | (20°) |

※各安裝型式的安裝尺寸與SCM (複動型) 相同。請參閱第226~237頁。

※附屬品的外形尺寸圖請參閱第238、239頁。

SCP※3  
CMK2  
CMA2  
SCM  
SCG  
SCA2  
SCS2  
CKV2  
CAV2・COVPI2  
SSD2  
SSG  
SSD  
CAT  
MDC2  
MVC  
SMG  
MSD・MSDG  
FC※  
STK  
SRL3  
SRG3  
SRM3  
SRT3  
MRL2  
MRG2  
SM-25  
緩衝器  
FJ  
FK  
調速閥  
卷尾



微型氣缸  
複動、二段型

# SCM-W Series

● 氣缸內徑：φ 20、φ 25、φ 32、φ 40、φ 50、φ 63



## 規格

| 項目     |      | SCM-W                       |      |      |      |       |      |  |
|--------|------|-----------------------------|------|------|------|-------|------|--|
| 氣缸內徑   | mm   | φ 20                        | φ 25 | φ 32 | φ 40 | φ 50  | φ 63 |  |
| 動作方式   |      | 複動、二段型                      |      |      |      |       |      |  |
| 使用流體   |      | 壓縮空氣                        |      |      |      |       |      |  |
| 最高使用壓力 | MPa  | 1.0 (註1)                    |      |      |      |       |      |  |
| 最低使用壓力 | MPa  | 0.2                         |      |      | 0.1  |       |      |  |
| 耐壓力    | MPa  | 1.6                         |      |      |      |       |      |  |
| 環境溫度   | °C   | -10~60 (避免結凍)               |      |      |      |       |      |  |
| 連接口徑   |      | Rc1/8                       |      |      |      | Rc1/4 |      |  |
| 行程容許差  | S1   | ±1.4                        |      |      | ±2.3 |       |      |  |
|        | S2   | +1.4                        |      |      | +2.3 |       |      |  |
| 行程容許差  | mm   | 0                           |      |      | 0    |       |      |  |
| 使用活塞速度 | mm/s | 50~1000 (使用時不得超過吸收能量的容許範圍。) |      |      |      |       |      |  |
| 緩衝     |      | 橡膠緩衝                        |      |      |      |       |      |  |
| 給油     |      | 不要 (給油時請使用渦輪機油ISO VG32)     |      |      |      |       |      |  |
| 容許吸收能量 | J    | 0.1                         | 0.2  | 0.5  | 0.9  | 1.6   | 1.6  |  |

註1：若S1和S2相同，最高使用壓力需設定為0.5MPa。

## 行程

| 氣缸內徑 (mm) | 標準行程 (mm)                              | 最大行程 (mm) | 最小行程 (mm) |
|-----------|--|-----------|-----------|
| φ 20      | 25、50、75<br>100、125、150<br>200、250、300 | 600       | 10        |
| φ 25      |  |           |           |
| φ 32      |  |           |           |
| φ 40      |  |           |           |
| φ 50      |  |           |           |
| φ 63      |  |           |           |

註1：中間行程的製作規格間距為1mm。

註2：S2最大行程為200mm。

## 開關安裝數量及最小行程 (mm)

● 開關安裝方式：導軌方式

| 開關數量<br>氣缸內徑<br>(mm) | 1     |         |      |     | 2     |         |      |     | 3     |         |      |     | 4     |         |      |     | 5     |         |      |     |
|----------------------|-------|---------|------|-----|-------|---------|------|-----|-------|---------|------|-----|-------|---------|------|-----|-------|---------|------|-----|
|                      | 無接點   |         |      | 有接點 | 無接點   |         |      | 有接點 | 無接點   |         |      | 有接點 | 無接點   |         |      | 有接點 | 無接點   |         |      | 有接點 |
|                      | T2,T3 | T2W,T3W | T×Y× |     | T2,T3 | T2W,T3W | T×Y× |     | T2,T3 | T2W,T3W | T×Y× |     | T2,T3 | T2W,T3W | T×Y× |     | T2,T3 | T2W,T3W | T×Y× |     |
| φ 20                 | 10    |         |      |     | 25    |         |      |     | 50    | 70      | 70   | 55  | 55    | 70      | 70   | 55  | 75    | 110     | 110  | 90  |
| φ 25                 | 10    |         |      |     | 25    |         |      |     | 50    | 70      | 70   | 55  | 55    | 70      | 70   | 55  | 75    | 110     | 110  | 90  |
| φ 32                 | 10    |         |      |     | 25    |         |      |     | 50    | 70      | 70   | 55  | 55    | 70      | 70   | 55  | 75    | 110     | 110  | 90  |
| φ 40                 | 10    |         |      |     | 25    |         |      |     | 50    | 70      | 70   | 55  | 55    | 70      | 70   | 55  | 75    | 110     | 110  | 90  |
| φ 50                 | 10    |         |      |     | 25    |         |      |     | 50    | 65      | 65   | 55  | 55    | 65      | 65   | 55  | 75    | 110     | 110  | 90  |
| φ 63                 | 10    |         |      |     | 25    |         |      |     | 50    | 65      | 65   | 55  | 55    | 65      | 65   | 55  | 75    | 110     | 110  | 90  |

● 開關安裝方式：綁帶方式

| 開關數量<br>氣缸內徑<br>(mm) | 1     |         |      |     | 2     |         |      |     | 3     |         |      |     | 4     |         |      |     | 5     |         |      |     |
|----------------------|-------|---------|------|-----|-------|---------|------|-----|-------|---------|------|-----|-------|---------|------|-----|-------|---------|------|-----|
|                      | 無接點   |         |      | 有接點 | 無接點   |         |      | 有接點 | 無接點   |         |      | 有接點 | 無接點   |         |      | 有接點 | 無接點   |         |      | 有接點 |
|                      | T2,T3 | T2W,T3W | T×Y× |     | T2,T3 | T2W,T3W | T×Y× |     | T2,T3 | T2W,T3W | T×Y× |     | T2,T3 | T2W,T3W | T×Y× |     | T2,T3 | T2W,T3W | T×Y× |     |
| φ 20                 | 10    |         |      |     | 25    | 30      | 35   | 25  | 50    | 55      | 55   | 50  | 75    | 75      | 80   | 70  | 95    | 100     | 100  | 95  |
| φ 25                 | 10    |         |      |     | 25    | 30      | 35   | 25  | 50    | 55      | 55   | 50  | 75    | 75      | 80   | 70  | 95    | 100     | 100  | 95  |
| φ 32                 | 10    |         |      |     | 25    | 30      | 35   | 25  | 50    | 55      | 55   | 50  | 75    | 75      | 80   | 70  | 95    | 100     | 100  | 95  |
| φ 40                 | 10    |         |      |     | 25    | 30      | 35   | 25  | 50    | 55      | 55   | 50  | 75    | 75      | 80   | 70  | 95    | 100     | 100  | 95  |
| φ 50                 | 10    |         |      |     | 25    | 30      | 35   | 25  | 50    | 55      | 55   | 50  | 75    | 75      | 80   | 70  | 95    | 100     | 100  | 95  |
| φ 63                 | 10    |         |      |     | 25    | 30      | 35   | 25  | 50    | 55      | 55   | 50  | 75    | 75      | 80   | 70  | 95    | 100     | 100  | 95  |

註1：由於附1個開關且行程10mm以上未滿25mm的規格，其開關導軌安裝位置會改變，因此無法製作安裝型式耳軸型。另外，安裝位置請參閱第329頁。



### 開關規格

● 單色/雙色顯示方式

| 項目   | 無接點2線式                           |                            |                             |                            | 無接點3線式                     |                             |                            |                            | 有接點2線式               |                                |                             |                | 無接點2線式                       |                         |        |           |
|------|----------------------------------|----------------------------|-----------------------------|----------------------------|----------------------------|-----------------------------|----------------------------|----------------------------|----------------------|--------------------------------|-----------------------------|----------------|------------------------------|-------------------------|--------|-----------|
|      | T1H・T1V                          | T2H・T2V・<br>T2JH・T2JV      | T2YH・<br>T2YV               | T2WH・<br>T2WV              | T3H・T3V                    | T3PH・T3PV<br>(接單生產)         | T3YH・<br>T3YV              | T3WH・<br>T3WV              | T0H・T0V              | T5H・T5V                        | T8H・T8V                     |                | T2YD                         |                         |        |           |
| 用途   | 可程式控制器<br>繼電器、小型電機開關             |                            | 可程式控制器專用                    |                            | 可程式控制器、繼電器用                |                             |                            |                            | 可程式控制器、<br>繼電器用      | 可程式控制器、繼電器<br>IC選路(無顯示燈)、串聯連接用 | 可程式控制器、繼電器用                 |                | 可程式<br>控制器專用                 |                         |        |           |
| 輸出方式 | —                                |                            |                             |                            | NPN輸出                      | PNP輸出                       | NPN輸出                      | NPN輸出                      | —                    |                                |                             |                | —                            |                         |        |           |
| 電源電壓 | —                                |                            |                             |                            | DC10~28V                   |                             |                            |                            | —                    |                                |                             |                | —                            |                         |        |           |
| 負載電壓 | AC85~265V                        | DC10~30V                   | DC24V±10%                   |                            | DC30V以下                    |                             |                            |                            | DC12/24V             | AC100/110V                     | DC5/12/24V                  | AC100/110V     | DC12/24V                     | AC110V                  | AC220V | DC24V±10% |
| 負載電流 | 5~100mA                          | 5~20mA (註2)                |                             |                            | 100mA以下                    |                             | 50mA以下                     |                            | 5~50mA               | 7~20mA                         | 50mA以下                      | 20mA以下         | 5~50mA                       | 7~20mA                  | 7~10mA | 5~20mA    |
| 顯示燈  | LED<br>(ON時亮燈)                   | LED<br>(ON時亮燈)             | 紅色/綠色<br>LED<br>(ON時亮燈)     | 紅色/綠色<br>LED<br>(ON時亮燈)    | LED<br>(ON時亮燈)             | 黃色<br>LED<br>(ON時亮燈)        | 紅色/綠色<br>LED<br>(ON時亮燈)    | 紅色/綠色<br>LED<br>(ON時亮燈)    | LED<br>(ON時亮燈)       | 無顯示燈                           |                             | LED<br>(ON時亮燈) |                              | 紅色/綠色<br>LED<br>(ON時亮燈) |        |           |
| 漏電電流 | AC100V時電流小於1mA<br>AC200V時電流小於2mA | 1mA以下                      |                             |                            | 10μA以下                     |                             |                            |                            | 0mA                  |                                |                             |                | 1mA以下                        |                         |        |           |
| 重量 g | 1m: 33<br>3m: 87<br>5m: 142      | 1m: 18<br>3m: 49<br>5m: 80 | 1m: 33<br>3m: 87<br>5m: 142 | 1m: 18<br>3m: 49<br>5m: 80 | 1m: 18<br>3m: 49<br>5m: 80 | 1m: 33<br>3m: 87<br>5m: 142 | 1m: 18<br>3m: 49<br>5m: 80 | 1m: 18<br>3m: 49<br>5m: 80 | 1m: 18 3m: 49 5m: 80 |                                | 1m: 33<br>3m: 87<br>5m: 142 |                | 1m: 61<br>3m: 166<br>5m: 272 |                         |        |           |

註1：其他開關規格，請參閱卷尾第1頁。

註2：上述負載電流的最大值：20mA為溫度25°C時的數值。開關使用環境溫度若高於25°C，電流將降至低於20mA。  
(溫度到達60°C時，則電流為5~10mA。)

註3：T0/T5開關也可使用AC220V。關於使用條件，請洽詢本公司。

註4：交流磁場用開關(T2YD)於直流磁場環境下無法使用。

註5：外形尺寸視開關型號而異。詳細內容請參閱卷尾第18頁。

### 氣缸重量

(單位：kg)

| 項目、安裝型式  | 行程(S)=0mm時的產品重量 |       | 累計重量  |      |      |      | 開關重量<br>(每1個)          | S=10mm時<br>的累計重量 | S=10mm時的累計<br>重量(開關<br>附導軌) | 1個開關的<br>綁帶重量 |
|----------|-----------------|-------|-------|------|------|------|------------------------|------------------|-----------------------------|---------------|
|          | 基本型(00)         | 基本型   | 軸向腳架型 | 法蘭型  | 吊耳型  | 耳軸型  |                        |                  |                             |               |
| 氣缸內徑(mm) |                 |       |       |      |      |      | 請參閱開關<br>規格內記載<br>的重量。 |                  |                             |               |
| φ20      | 0.10            | -0.01 | 0.10  | 0.02 | 0.04 | 0.00 |                        | 0.01             | 0.012                       | 0.007         |
| φ25      | 0.17            | -0.02 | 0.11  | 0.02 | 0.06 | 0.00 |                        | 0.014            | 0.016                       | 0.007         |
| φ32      | 0.26            | -0.01 | 0.15  | 0.05 | 0.14 | 0.02 |                        | 0.018            | 0.02                        | 0.007         |
| φ40      | 0.41            | -0.03 | 0.19  | 0.05 | 0.20 | 0.02 |                        | 0.03             | 0.032                       | 0.007         |
| φ50      | 0.77            | -0.06 | 0.42  | 0.28 | 0.34 | 0.08 |                        | 0.044            | 0.046                       | 0.008         |
| φ63      | 1.07            | -0.02 | 0.70  | 0.48 | 0.66 | 0.12 | 0.052                  | 0.054            | 0.009                       |               |

(範例) SCM-W-LB-40-D100-T2H-D-D25-T2H-R  
的產品重量

〈S1的重量〉

S=0mm時的產品重量……………0.41kg

S=100mm時的累計重量…………… $0.032 \times \frac{100}{10} = 0.32\text{kg}$

2個開關的重量……………0.036kg

S1的重量…………… $0.41\text{kg} + 0.32\text{kg} + 0.036\text{kg} = 0.766\text{kg}$

〈S2的重量〉

S=0mm時的產品重量……………0.41kg

S=25mm時的累計重量…………… $0.032 \times \frac{25}{10} = 0.08\text{kg}$

1個開關的重量……………0.018kg

S2的重量…………… $0.41\text{kg} + 0.08\text{kg} + 0.018\text{kg} = 0.508\text{kg}$

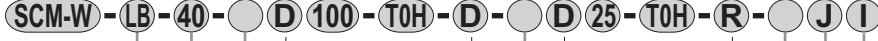
產品重量(S1的重量+S2的重量+累計重量)…………… $0.766\text{kg} + 0.508\text{kg} + 0.19\text{kg} = 1.464\text{kg}$

## 型號標示方法

無開關（內置開關用磁鐵）



附開關（內置開關用磁鐵）



**A** 安裝型式  
註1

**B** 氣缸內徑

**C** 配管螺牙種類

**C** 配管螺牙種類

**D** 緩衝

**D** 緩衝

**E** 行程  
=S1

**E** 行程  
=S2 註3

**F** 開關型號  
註5  
註6

**F** 開關型號

**G** 開關數量

**G** 開關數量

**H** 開關安裝方式

**I** 選購品

註2

註7

註9

**J** 附屬品

註10

### 選定型號時的注意事項

- 註1：安裝固定架將添附於產品內一併出貨。  
 註2：防塵套且安裝固定架為LB、FA、TA時，為組裝後出貨。  
 註3：S2（第1段）最大行程為200mm。  
 註4：關於開關安裝數量及最小行程，請參閱第306頁。  
 註5：除了**F**所示的開關型號外，亦備有其他開關可供選擇。（接單生產）詳細內容請參閱卷尾第1頁。  
 註6：若氣缸內徑為φ20~φ40且開關安裝方式採導軌方式，將無法配置T8H/V開關。  
 註7：瞬間最高溫度是指火花或切削粉末等瞬間接觸到防塵套時的溫度。  
 註8：有關活塞桿前端外形製作規格，請參閱卷尾第85頁。  
 註9：開關安裝方式若選定「Z」，將無法選定添附開關導軌出貨「Q」之選項。  
 註10：無法同時選定「I」和「Y」。  
 註11：開關將添附於產品內一併出貨。如需組裝產品後出貨，請洽詢本公司。

### 〈型號標示範例〉

## SCM-W-LB-40-D100-T0H-D-D25-T0H-R-J-I

機型：微型氣缸 複動、二段型

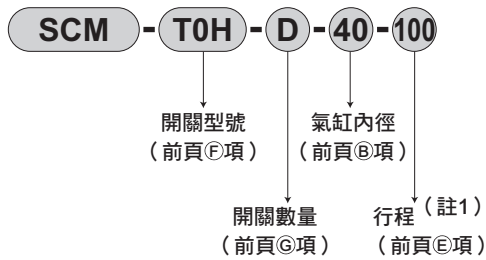
- A** 安裝型式：軸向腳架型  
**B** 氣缸內徑：φ40mm  
**C** 配管螺牙種類：Rc螺牙  
**D** 緩衝：附兩側橡膠緩衝  
**E** 行程：S1=100mm  
**D** 緩衝：附兩側橡膠緩衝  
**E** 行程：S2=25mm  
**F** 開關型號：有接點T0H開關、導線1m  
**G** 開關數量：氣缸1；附2個、氣缸2；活塞桿側附1個  
**H** 開關安裝方式：導軌方式  
**I** 選購品：防塵套材質、最高環境溫度60℃用  
**J** 附屬品：一山關節

| 記號                 | 內容                  |         |        |    |              |    |
|--------------------|---------------------|---------|--------|----|--------------|----|
| <b>A 安裝型式</b>      |                     |         |        |    |              |    |
| 00                 | 基本型                 |         |        |    |              |    |
| LB                 | 軸向腳架型               |         |        |    |              |    |
| FA                 | 活塞桿側法蘭型             |         |        |    |              |    |
| FB                 | 頭蓋側法蘭型              |         |        |    |              |    |
| CA                 | 一山吊耳型               |         |        |    |              |    |
| TA                 | 活塞桿側耳軸型             |         |        |    |              |    |
| TB                 | 頭蓋側耳軸型              |         |        |    |              |    |
| <b>B 氣缸內徑 (mm)</b> |                     |         |        |    |              |    |
| 20                 | φ20                 |         |        |    |              |    |
| 25                 | φ25                 |         |        |    |              |    |
| 32                 | φ32                 |         |        |    |              |    |
| 40                 | φ40                 |         |        |    |              |    |
| 50                 | φ50                 |         |        |    |              |    |
| 63                 | φ63                 |         |        |    |              |    |
| <b>C 配管螺牙種類</b>    |                     |         |        |    |              |    |
| 無記號                | Rc螺牙                |         |        |    |              |    |
| N                  | NPT螺牙（接單生產）         |         |        |    |              |    |
| G                  | G螺牙（接單生產）           |         |        |    |              |    |
| <b>D 緩衝</b>        |                     |         |        |    |              |    |
| D                  | 附兩側橡膠緩衝             |         |        |    |              |    |
| <b>E 行程 (mm)</b>   |                     |         |        |    |              |    |
| 氣缸內徑               | 行程註3                | 中間行程    |        |    |              |    |
| φ20~φ63            | 10~600              | 以1mm為單位 |        |    |              |    |
| <b>F 開關型號</b>      |                     |         |        |    |              |    |
| 導線<br>直型           | 導線<br>L型            | 接點      | 電壓     | 顯示 | 導線           |    |
| T0H※               | T0V※                | 有接點     | AC     | ●  | 單色顯示方式       | 2線 |
| T5H※               | T5V※                |         | DC     | ●  |              |    |
| T8H※               | T8V※                | 無接點     | AC     | ●  | 單色顯示方式       | 2線 |
| T1H※               | T1V※                |         | DC     | ●  | 單色顯示方式       |    |
| T2H※               | T2V※                | 無接點     | AC     | ●  | 單色顯示方式       | 3線 |
| T3H※               | T3V※                |         | DC     | ●  | 單色顯示方式       |    |
| T3PH※              | T3PV※               | 無接點     | AC     | ●  | 單色顯示方式（接單生產） | 3線 |
| T2WH※              | T2WV※               |         | DC     | ●  | 單色顯示方式       |    |
| T2YH※              | T2YV※               | 無接點     | AC     | ●  | 雙色顯示方式       | 2線 |
| T3WH※              | T3WV※               |         | DC     | ●  | 雙色顯示方式       |    |
| T3YH※              | T3YV※               | 無接點     | AC     | ●  | 雙色顯示方式       | 3線 |
| T2YD※              | -                   |         | DC     | ●  | 雙色顯示方式       |    |
| T2YDT※             | -                   | 無接點     | AC     | ●  | 交流磁場用        | 2線 |
| T2JH※              | T2JV※               |         | DC     | ●  | 單色顯示方式斷電延遲型  |    |
| <b>※導線長度</b>       |                     |         |        |    |              |    |
| 無記號                | 1m（標準）              |         |        |    |              |    |
| 3                  | 3m（選購品）             |         |        |    |              |    |
| 5                  | 5m（選購品）             |         |        |    |              |    |
| <b>G 開關數量</b>      |                     |         |        |    |              |    |
| R                  | 活塞桿側附1個             |         |        |    |              |    |
| H                  | 頭蓋側附1個              |         |        |    |              |    |
| D                  | 附2個                 |         |        |    |              |    |
| T                  | 附3個                 |         |        |    |              |    |
| 4                  | 附4個（如為4個以上，則加入開關數量） |         |        |    |              |    |
| <b>H 開關安裝方式</b>    |                     |         |        |    |              |    |
| 無記號                | 導軌方式                |         |        |    |              |    |
| Z                  | 綁帶方式                |         |        |    |              |    |
| <b>I 選購品</b>       |                     |         |        |    |              |    |
|                    |                     | 最高環境溫度  | 瞬間最高溫度 |    |              |    |
| J                  | 防塵套                 | 60℃     | 100℃   |    |              |    |
| K                  | 防塵套                 | 100℃    | 200℃   |    |              |    |
| L                  | 防塵套                 | 250℃    | 400℃   |    |              |    |
| Q                  | 開關導軌添附出貨            |         |        |    |              |    |
| M                  | 活塞桿材質（不鏽鋼）          |         |        |    |              |    |
| P6                 | 銅離子防止處理             |         |        |    |              |    |
| <b>J 附屬品</b>       |                     |         |        |    |              |    |
| I                  | 一山關節                |         |        |    |              |    |
| Y                  | 二山關節（添附插銷及止環）       |         |        |    |              |    |
| B2                 | 二山固定架               |         |        |    |              |    |

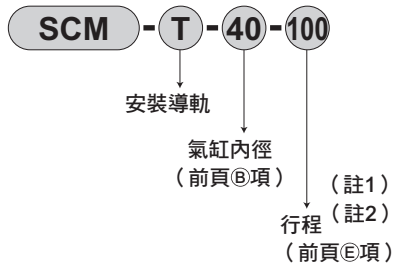
## 開關單品型號標示方法

〈開關安裝方式：導軌方式〉

● 開關本體 + 安裝導軌一式



● 僅安裝導軌

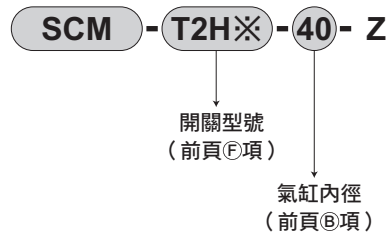


註1：行程超出300mm者請標示X。  
 行程超出300mm時，每一個開關將附有1支短導軌（開關調整移動距離為100mm）。

註2：僅安裝導軌且標示為X時，請依照所使用的開關數量訂購相同數量的導軌。

〈開關安裝方式：綁帶方式〉

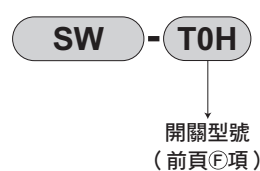
● 開關本體 + 安裝固定架一式 + 綁帶



● 安裝固定架一式 + 綁帶



〈僅開關本體〉



## 安裝固定架型號標示方法

| 氣缸內徑 (mm)   | φ 20      | φ 25      | φ 32      | φ 40      | φ 50      | φ 63      |
|-------------|-----------|-----------|-----------|-----------|-----------|-----------|
| 安裝固定架       |           |           |           |           |           |           |
| 腳架 (LB)     | SCM-LB-20 | SCM-LB-25 | SCM-LB-32 | SCM-LB-40 | SCM-LB-50 | SCM-LB-63 |
| 法蘭 (FA/FB)  | SCM-FA-20 | SCM-FA-25 | SCM-FA-32 | SCM-FA-40 | SCM-FA-50 | SCM-FA-63 |
| 一山吊耳 (CA)   | SCM-CA-20 | SCM-CA-25 | SCM-CA-32 | SCM-CA-40 | SCM-CA-50 | SCM-CA-63 |
| 耳軸型 (TA/TB) | SCM-TA-20 | SCM-TA-25 | SCM-TA-32 | SCM-TA-40 | SCM-TA-50 | SCM-TA-63 |

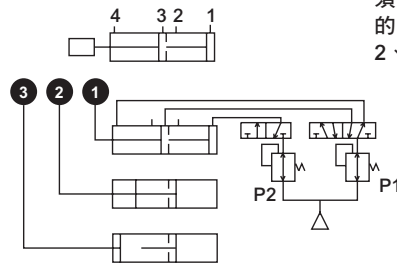
註1：各安裝固定架皆有添附安裝用螺栓。  
 註2：腳架型安裝固定架為每組2個。

- SCP※3
- CMK2
- CMA2
- SCM
- SCG
- SCA2
- SCS2
- CKV2
- CAV2・COV/PIN2
- SSD2
- SSG
- SSD
- CAT
- MDC2
- MVC
- SMG
- MSD・MSDG
- FC※
- STK
- SRL3
- SRG3
- SRM3
- SRT3
- MRL2
- MRG2
- SM-25
- 緩衝器
- FJ
- FK
- 調速閥
- 卷尾

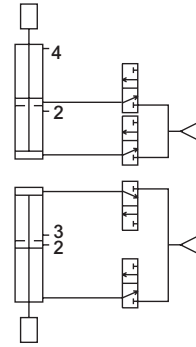
## 使用範例

壓力設定為 $P_2 > P_1$ 。

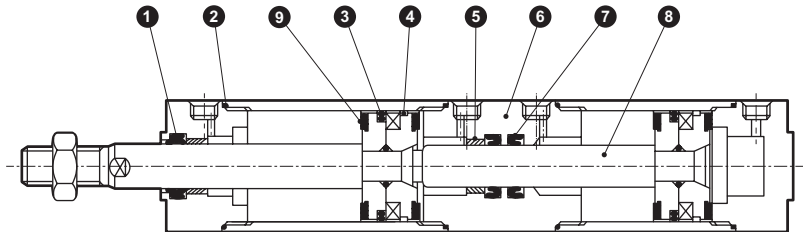
- 第1段推出  
在對孔口4加壓的狀態下，對孔口1加壓。
- 第2段推出  
在對孔口1加壓的狀態下，對孔口3加壓。



某些負載方向，可能較適合將壓力設定為 $P_2 = P_1$ 。  
若因負載自由落體等因素，而必須使用單動型氣缸時，則上圖中的孔口2、4，以及下圖中的孔口2、3為呼吸孔口。



## 內部結構及零件一覽表



| 編號 | 零件名稱  | 材質     | 備註 | 編號 | 零件名稱  | 材質   | 備註    |
|----|-------|--------|----|----|-------|--|-------|
| 1  | 活塞桿墊圈 | 丁腈橡膠   |    | 6  | 中間護蓋  | 鋁合金  | 烤漆    |
| 2  | 氣缸墊圈  | 丁腈橡膠   |    | 7  | 活塞桿墊圈 | 丁腈橡膠   |       |
| 3  | 活塞墊圈  | 丁腈橡膠   |    | 8  | 活塞桿   | $\phi 20 \sim \phi 25$ : 不鏽鋼<br>$\phi 32 \sim \phi 63$ : 鋼 | 工業用鍍鉻 |
| 4  | 耐磨環   | 聚縮醛樹脂  |    | 9  | 緩衝橡膠  | 聚氨酯橡膠  |       |
| 5  | 軸套    | 含油軸承合金 |    |    |       |  |       |

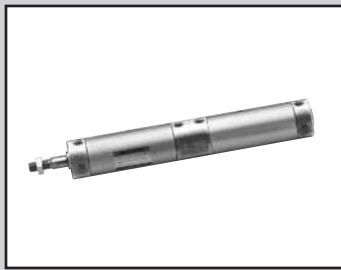
上述以外的零件皆與複動型相同。

## 消耗性零件一覽表

| 氣缸內徑 (mm) | 套件編號       | 消耗性零件編號 |
|-----------|------------|---------|
| $\phi 20$ | SCM-W-20DK |         |
| $\phi 25$ | SCM-W-25DK |         |
| $\phi 32$ | SCM-W-32DK |         |
| $\phi 40$ | SCM-W-40DK |         |
| $\phi 50$ | SCM-W-50DK |         |
| $\phi 63$ | SCM-W-63DK |         |

註1：訂購時請指定套件編號。





微型氣缸  
複動、串聯型

# SCM-W4 Series

● 氣缸內徑：φ 20、φ 25、φ 32、φ 40、φ 50、φ 63



## 規格

| 項目     |      | SCM-W4                      |      |      |       |      |      |
|--------|------|-----------------------------|------|------|-------|------|------|
| 氣缸內徑   | mm   | φ 20                        | φ 25 | φ 32 | φ 40  | φ 50 | φ 63 |
| 動作方式   |      | 複動、串聯型                      |      |      |       |      |      |
| 使用流體   |      | 壓縮空氣                        |      |      |       |      |      |
| 最高使用壓力 | MPa  | 0.5                         |      |      |       |      |      |
| 最低使用壓力 | MPa  | 0.2                         |      |      | 0.1   |      |      |
| 耐壓力    | MPa  | 1.6                         |      |      |       |      |      |
| 環境溫度   | °C   | -10~60 (避免結凍)               |      |      |       |      |      |
| 連接口徑   |      | Rc1/8                       |      |      | Rc1/4 |      |      |
| 行程容許差  | mm   | +1.4                        |      |      | +2.3  |      |      |
|        |      | -1.0                        |      |      | -1.0  |      |      |
| 使用活塞速度 | mm/s | 50~1000 (使用時不得超過吸收能量的容許範圍。) |      |      |       |      |      |
| 緩衝     |      | 橡膠緩衝                        |      |      |       |      |      |
| 給油     |      | 不要 (給油時請使用渦輪機油ISO VG32)     |      |      |       |      |      |
| 容許吸收能量 | J    | 0.1                         | 0.2  | 0.5  | 0.9   | 1.6  | 1.6  |

## 行程

| 氣缸內徑 (mm) | 標準行程 (mm)                              | 最大行程 (mm) | 最小行程 (mm) |
|-----------|--|-----------|-----------|
| φ 20      | 25、50、75<br>100、125、150<br>200、250、300 | 600       | 10        |
| φ 25      |  |           |           |
| φ 32      |  |           |           |
| φ 40      |  |           |           |
| φ 50      |  |           |           |
| φ 63      |  |           |           |

註1：中間行程的製作規格間距為1mm。

## 開關安裝數量及最小行程 (mm)

● 開關安裝方式：導軌方式

| 開關數量<br>氣缸內徑<br>(mm) | 1     |         |      |     | 2     |         |      |     | 3     |         |      |     | 4     |         |      |     | 5     |         |      |     |
|----------------------|-------|---------|------|-----|-------|---------|------|-----|-------|---------|------|-----|-------|---------|------|-----|-------|---------|------|-----|
|                      | 無接點   |         |      | 有接點 | 無接點   |         |      | 有接點 | 無接點   |         |      | 有接點 | 無接點   |         |      | 有接點 | 無接點   |         |      | 有接點 |
|                      | T2,T3 | T2W,T3W | T×Y× |     | T2,T3 | T2W,T3W | T×Y× |     | T2,T3 | T2W,T3W | T×Y× |     | T2,T3 | T2W,T3W | T×Y× |     | T2,T3 | T2W,T3W | T×Y× |     |
| φ 20                 | 10    |         |      |     | 25    |         |      |     | 50    | 70      | 70   | 55  | 55    | 70      | 70   | 55  | 75    | 110     | 110  | 90  |
| φ 25                 | 10    |         |      |     | 25    |         |      |     | 50    | 70      | 70   | 55  | 55    | 70      | 70   | 55  | 75    | 110     | 110  | 90  |
| φ 32                 | 10    |         |      |     | 25    |         |      |     | 50    | 70      | 70   | 55  | 55    | 70      | 70   | 55  | 75    | 110     | 110  | 90  |
| φ 40                 | 10    |         |      |     | 25    |         |      |     | 50    | 70      | 70   | 55  | 55    | 70      | 70   | 55  | 75    | 110     | 110  | 90  |
| φ 50                 | 10    |         |      |     | 25    |         |      |     | 50    | 65      | 65   | 55  | 55    | 65      | 65   | 55  | 75    | 110     | 110  | 90  |
| φ 63                 | 10    |         |      |     | 25    |         |      |     | 50    | 65      | 65   | 55  | 55    | 65      | 65   | 55  | 75    | 110     | 110  | 90  |

● 開關安裝方式：綁帶方式

| 開關數量<br>氣缸內徑<br>(mm) | 1     |         |      |     | 2     |         |      |     | 3     |         |      |     | 4     |         |      |     | 5     |         |      |     |
|----------------------|-------|---------|------|-----|-------|---------|------|-----|-------|---------|------|-----|-------|---------|------|-----|-------|---------|------|-----|
|                      | 無接點   |         |      | 有接點 | 無接點   |         |      | 有接點 | 無接點   |         |      | 有接點 | 無接點   |         |      | 有接點 | 無接點   |         |      | 有接點 |
|                      | T2,T3 | T2W,T3W | T×Y× |     | T2,T3 | T2W,T3W | T×Y× |     | T2,T3 | T2W,T3W | T×Y× |     | T2,T3 | T2W,T3W | T×Y× |     | T2,T3 | T2W,T3W | T×Y× |     |
| φ 20                 | 10    |         |      |     | 25    | 30      | 35   | 25  | 50    | 55      | 55   | 50  | 75    | 75      | 80   | 70  | 95    | 100     | 100  | 95  |
| φ 25                 | 10    |         |      |     | 25    | 30      | 35   | 25  | 50    | 55      | 55   | 50  | 75    | 75      | 80   | 70  | 95    | 100     | 100  | 95  |
| φ 32                 | 10    |         |      |     | 25    | 30      | 35   | 25  | 50    | 55      | 55   | 50  | 75    | 75      | 80   | 70  | 95    | 100     | 100  | 95  |
| φ 40                 | 10    |         |      |     | 25    | 30      | 35   | 25  | 50    | 55      | 55   | 50  | 75    | 75      | 80   | 70  | 95    | 100     | 100  | 95  |
| φ 50                 | 10    |         |      |     | 25    | 30      | 35   | 25  | 50    | 55      | 55   | 50  | 75    | 75      | 80   | 70  | 95    | 100     | 100  | 95  |
| φ 63                 | 10    |         |      |     | 25    | 30      | 35   | 25  | 50    | 55      | 55   | 50  | 75    | 75      | 80   | 70  | 95    | 100     | 100  | 95  |

註1：由於附1個開關且行程10mm以上未滿25mm的規格，其開關導軌安裝位置會改變，因此無法製作安裝型式耳軸型。另外，安裝位置請參閱第329頁。



### 開關規格

● 單色/雙色顯示方式

| 項目   | 無接點2線式                           |                            |                             |                            | 無接點3線式                     |                             |                            |                            | 有接點2線式               |            |                                |            | 無接點2線式                       |        |                         |           |
|------|----------------------------------|----------------------------|-----------------------------|----------------------------|----------------------------|-----------------------------|----------------------------|----------------------------|----------------------|------------|--------------------------------|------------|------------------------------|--------|-------------------------|-----------|
|      | T1H・T1V                          | T2H・T2V・T2H<br>・T2V        | T2YH・<br>T2YV               | T2WH・<br>T2WV              | T3H・T3V                    | T3PH・T3PV<br>(接單生產)         | T3YH・<br>T3YV              | T3WH・<br>T3WV              | T0H・T0V              | T5H・T5V    | T8H・T8V                        |            | T2YD                         |        |                         |           |
| 用途   | 可程式控制器<br>繼電器、小型電磁開用             |                            | 可程式控制器專用                    |                            | 可程式控制器、繼電器用                |                             |                            |                            | 可程式控制器、<br>繼電器用      |            | 可程式控制器、繼電器<br>IC選路(無顯示燈)、串聯連接用 |            | 可程式<br>控制器專用                 |        |                         |           |
| 輸出方式 | —                                |                            |                             |                            | NPN輸出                      | PNP輸出                       | NPN輸出                      | NPN輸出                      | —                    |            |                                |            |                              |        |                         |           |
| 電源電壓 | —                                |                            |                             |                            | DC10~28V                   |                             |                            |                            | —                    |            |                                |            |                              |        |                         |           |
| 負載電壓 | AC85~265V                        | DC10~30V                   |                             | DC24V±10%                  | DC30V以下                    |                             |                            |                            | DC12/24V             | AC100/110V | DC5/12/24V                     | AC100/110V | DC12/24V                     | AC110V | AC220V                  | DC24V±10% |
| 負載電流 | 5~100mA                          | 5~20mA (註2)                |                             |                            | 100mA以下                    |                             | 50mA以下                     |                            | 5~50mA               | 7~20mA     | 50mA以下                         | 20mA以下     | 5~50mA                       | 7~20mA | 7~10mA                  | 5~20mA    |
| 顯示燈  | LED<br>(ON時亮燈)                   | LED<br>(ON時亮燈)             | 紅色/綠色<br>LED<br>(ON時亮燈)     | 紅色/綠色<br>LED<br>(ON時亮燈)    | LED<br>(ON時亮燈)             | 黃色<br>LED<br>(ON時亮燈)        | 紅色/綠色<br>LED<br>(ON時亮燈)    | 紅色/綠色<br>LED<br>(ON時亮燈)    | LED<br>(ON時亮燈)       |            | 無顯示燈                           |            | LED<br>(ON時亮燈)               |        | 紅色/綠色<br>LED<br>(ON時亮燈) |           |
| 漏電電流 | AC100V時電流小於1mA<br>AC200V時電流小於2mA | 1mA以下                      |                             |                            | 10μA以下                     |                             |                            |                            | 0mA                  |            |                                |            | 1mA以下                        |        |                         |           |
| 重量 g | 1m: 33<br>3m: 87<br>5m: 142      | 1m: 18<br>3m: 49<br>5m: 80 | 1m: 33<br>3m: 87<br>5m: 142 | 1m: 18<br>3m: 49<br>5m: 80 | 1m: 18<br>3m: 49<br>5m: 80 | 1m: 33<br>3m: 87<br>5m: 142 | 1m: 18<br>3m: 49<br>5m: 80 | 1m: 18<br>3m: 49<br>5m: 80 | 1m: 18 3m: 49 5m: 80 |            | 1m: 33<br>3m: 87<br>5m: 142    |            | 1m: 61<br>3m: 166<br>5m: 272 |        |                         |           |

註1：其他開關規格，請參閱卷尾第1頁。

註2：上述負載電流的最大值：20mA為溫度25°C時的數值。開關使用環境溫度若高於25°C，電流將降至低於20mA。  
(溫度到達60°C時，則電流為5~10mA。)

註3：T0/T5開關也可使用AC220V。關於使用條件，請洽詢本公司。

註4：交流磁場用開關(T2YD)於直流磁場環境下無法使用。

註5：外形尺寸視開關型號而異。詳細內容請參閱卷尾第18頁。

### 氣缸重量

(單位: kg)

| 項目、安裝型式  | 行程(S)=0mm時的產品重量 | 累計重量  |       |      |      |      | 開關重量<br>(每1個)          | S=10mm時<br>的累計重量 | S=10mm時的累<br>計重量(開關<br>附導軌) | 1個開關的<br>綁帶重量 |
|----------|-----------------|-------|-------|------|------|------|------------------------|------------------|-----------------------------|---------------|
|          |                 | 基本型   | 軸向腳架型 | 法蘭型  | 吊耳型  | 耳軸型  |                        |                  |                             |               |
| 氣缸內徑(mm) | 基本型(00)         | 基本型   | 軸向腳架型 | 法蘭型  | 吊耳型  | 耳軸型  | 請參閱開關<br>規格內記載<br>的重量。 | 0.01             | 0.012                       | 0.007         |
| φ 20     | 0.10            | 0.00  | 0.11  | 0.03 | 0.05 | 0.01 |                        | 0.014            | 0.016                       | 0.007         |
| φ 25     | 0.17            | -0.01 | 0.12  | 0.03 | 0.07 | 0.01 |                        | 0.018            | 0.02                        | 0.007         |
| φ 32     | 0.26            | 0.00  | 0.16  | 0.06 | 0.15 | 0.03 |                        | 0.03             | 0.032                       | 0.007         |
| φ 40     | 0.41            | -0.01 | 0.21  | 0.07 | 0.22 | 0.04 |                        | 0.044            | 0.046                       | 0.008         |
| φ 50     | 0.77            | -0.01 | 0.47  | 0.33 | 0.39 | 0.13 |                        | 0.052            | 0.054                       | 0.009         |
| φ 63     | 1.07            | 0.02  | 0.74  | 0.52 | 0.70 | 0.16 |                        |                  |                             |               |

(範例) SCM-W4-LB-40D-100-T2H-D的產品重量

- ① S=0mm時的產品重量 .....0.41kg
- ② S=100mm時的累計重量 ...0.032 ×  $\frac{100}{10}$  =0.32kg
- ③ 2個開關的重量 .....0.036kg
- ④ 合計①+②+③ .....0.41kg+0.32kg+0.036kg=0.766kg
- 產品重量(將④乘以2,再加上累計重量) ...0.766kg×2+0.21kg=1.742kg

## 型號標示方法

無開關（內置開關用磁鐵）

SCM-W4 - LB - 40 - D - 100 - J - I

附開關（內置開關用磁鐵）

SCM-W4 - LB - 40 - D - 100 - T0H - D - J - I

A 安裝型式  
註1

B 氣缸內徑

C 配管螺牙種類

D 緩衝

E 行程

F 開關型號  
註4  
註5

G 開關數量

H 開關安裝方式

I 選購品  
註2  
註6  
註8

J 附屬品  
註9

### 選定型號時的注意事項

註1：安裝固定架將添附於產品內一併出貨。

註2：防塵套且安裝固定架為LB、FA、TA時，為組裝後出貨。

註3：關於開關安裝數量及最小行程，請參閱第312頁。

註4：除了F所示的開關型號外，亦備有其他開關可供選擇。（接單生產）  
詳細內容請參閱卷尾第1頁。

註5：若氣缸內徑為φ20~φ40且開關安裝方式採導軌方式，將無法配置T8H/V開關。

註6：瞬間最高溫度是指火花或切削粉末等瞬間接觸到防塵套時的溫度。

註7：有關活塞桿前端外形製作規格，請參閱卷尾第85頁。

註8：開關安裝方式若選定「Z」，將無法選定添附開關導軌出貨「Q」之選項。

註9：無法同時選定「I」和「Y」。

註10：開關將添附於產品內一併出貨。如需組裝產品後出貨，請洽詢本公司。

### 〈型號標示範例〉

SCM-W4-LB-40D-100-T0H-D-JI

機型：微型氣缸 複動、串聯型

A 安裝型式：軸向腳架型

B 氣缸內徑：φ40mm

C 配管螺牙種類：Rc螺牙

D 緩衝：附兩側橡膠緩衝

E 行程：100mm

F 開關型號：有接點T0H開關、導線1m

G 開關數量：附2個

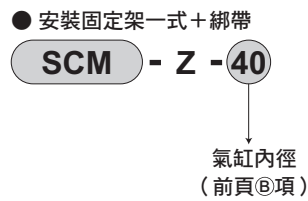
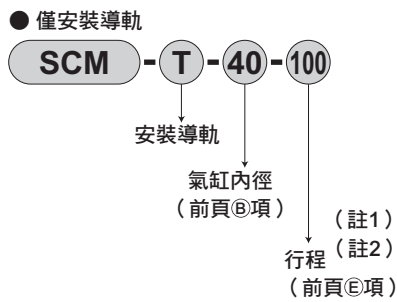
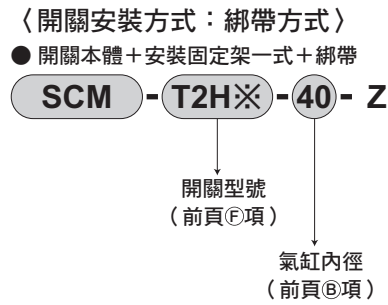
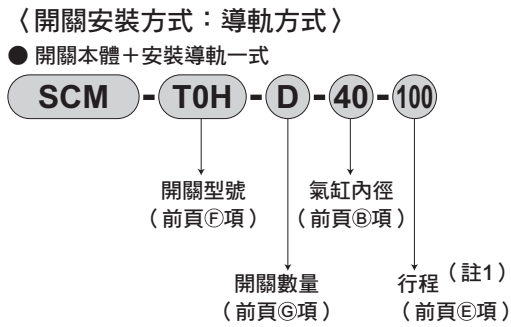
H 開關安裝方式：導軌方式

I 選購品：防塵套材質、最高環境溫度60℃用

J 附屬品：一山關節

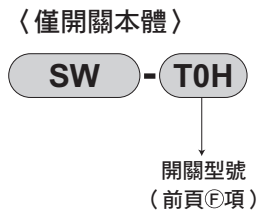
| 記號                 | 內容                  |             |             |              |    |
|--------------------|---------------------|-------------|-------------|--------------|----|
| <b>A 安裝型式</b>      |                     |             |             |              |    |
| 00                 | 基本型                 |             |             |              |    |
| LB                 | 軸向腳架型               |             |             |              |    |
| FA                 | 活塞桿側法蘭型             |             |             |              |    |
| FB                 | 頭蓋側法蘭型              |             |             |              |    |
| CA                 | 一山吊耳型               |             |             |              |    |
| TA                 | 活塞桿側耳軸型             |             |             |              |    |
| TB                 | 頭蓋側耳軸型              |             |             |              |    |
| <b>B 氣缸內徑 (mm)</b> |                     |             |             |              |    |
| 20                 | φ20                 |             |             |              |    |
| 25                 | φ25                 |             |             |              |    |
| 32                 | φ32                 |             |             |              |    |
| 40                 | φ40                 |             |             |              |    |
| 50                 | φ50                 |             |             |              |    |
| 63                 | φ63                 |             |             |              |    |
| <b>C 配管螺牙種類</b>    |                     |             |             |              |    |
| 無記號                | Rc螺牙                |             |             |              |    |
| N                  | NPT螺牙（接單生產）         |             |             |              |    |
| G                  | G螺牙（接單生產）           |             |             |              |    |
| <b>D 緩衝</b>        |                     |             |             |              |    |
| D                  | 附兩側橡膠緩衝             |             |             |              |    |
| <b>E 行程 (mm)</b>   |                     |             |             |              |    |
| 氣缸內徑               | 行程註3                | 中間行程        |             |              |    |
| φ20~φ63            | 10~600              | 以1mm為單位     |             |              |    |
| <b>F 開關型號</b>      |                     |             |             |              |    |
| 導線<br>直型           | 導線<br>L型            | 接點<br>AC DC | 電壓          | 顯示           | 導線 |
| T0H※               | T0V※                | 有接點         | ● ●         | 單色顯示方式       | 2線 |
| T5H※               | T5V※                |             | ● ●         | 無顯示燈         |    |
| T8H※               | T8V※                |             | ● ●         | 單色顯示方式       |    |
| T1H※               | T1V※                | 無接點         | ●           | 單色顯示方式       | 2線 |
| T2H※               | T2V※                |             | ●           | 單色顯示方式       |    |
| T3H※               | T3V※                |             | ●           | 單色顯示方式（接單生產） | 3線 |
| T3PH※              | T3PV※               |             | ●           | 單色顯示方式（接單生產） |    |
| T2WH※              | T2WV※               |             | ●           | 雙色顯示方式       | 2線 |
| T2YH※              | T2YV※               |             | ●           | 雙色顯示方式       |    |
| T3WH※              | T3WV※               | ●           | 雙色顯示方式      | 3線           |    |
| T3YH※              | T3YV※               | ●           | 雙色顯示方式      |              |    |
| T2YD※              | -                   | ●           | 雙色顯示方式      | 2線           |    |
| T2YDT※             | -                   | ●           | 交流磁場用       |              |    |
| T2JH※              | T2JV※               | ●           | 單色顯示方式斷電延遲型 | 2線           |    |
| <b>※導線長度</b>       |                     |             |             |              |    |
| 無記號                | 1m（標準）              |             |             |              |    |
| 3                  | 3m（選購品）             |             |             |              |    |
| 5                  | 5m（選購品）             |             |             |              |    |
| <b>G 開關數量</b>      |                     |             |             |              |    |
| R                  | 活塞桿側附1個             |             |             |              |    |
| H                  | 頭蓋側附1個              |             |             |              |    |
| D                  | 附2個                 |             |             |              |    |
| T                  | 附3個                 |             |             |              |    |
| 4                  | 附4個（如為4個以上，則加入開關數量） |             |             |              |    |
| <b>H 開關安裝方式</b>    |                     |             |             |              |    |
| 無記號                | 導軌方式                |             |             |              |    |
| Z                  | 綁帶方式                |             |             |              |    |
| <b>I 選購品</b>       |                     |             |             |              |    |
|                    |                     |             | 最高環境溫度      | 瞬間最高溫度       |    |
| J                  | 防塵套                 |             | 60℃         | 100℃         |    |
| K                  | 防塵套                 |             | 100℃        | 200℃         |    |
| L                  | 防塵套                 |             | 250℃        | 400℃         |    |
| Q                  | 開關導軌添附出貨            |             |             |              |    |
| M                  | 活塞桿材質（不鏽鋼）          |             |             |              |    |
| P6                 | 銅離子防止處理             |             |             |              |    |
| <b>J 附屬品</b>       |                     |             |             |              |    |
| I                  | 一山關節                |             |             |              |    |
| Y                  | 二山關節（添附插銷及止環）       |             |             |              |    |
| B2                 | 二山固定架               |             |             |              |    |

## 開關單品型號標示方法



註1：行程超出300mm者請標示X。  
行程超出300mm時，每一個開關將附有1支短導軌（開關調整移動距離為100mm）。

註2：僅安裝導軌且標示為X時，請依照所使用的開關數量訂購相同數量的導軌。



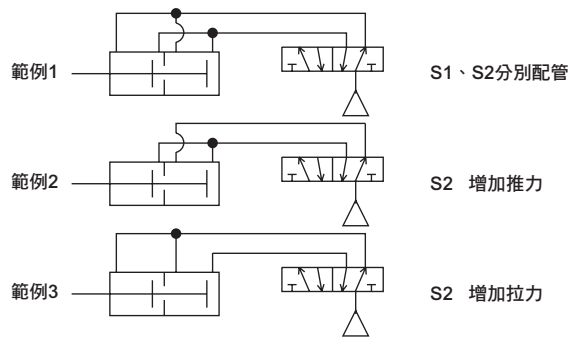
## 安裝固定架型號標示方法

| 氣缸內徑 (mm)   | φ 20      | φ 25      | φ 32      | φ 40      | φ 50      | φ 63      |
|-------------|-----------|-----------|-----------|-----------|-----------|-----------|
| 安裝固定架       |           |           |           |           |           |           |
| 腳架 (LB)     | SCM-LB-20 | SCM-LB-25 | SCM-LB-32 | SCM-LB-40 | SCM-LB-50 | SCM-LB-63 |
| 法蘭 (FA/FB)  | SCM-FA-20 | SCM-FA-25 | SCM-FA-32 | SCM-FA-40 | SCM-FA-50 | SCM-FA-63 |
| 一山吊耳 (CA)   | SCM-CA-20 | SCM-CA-25 | SCM-CA-32 | SCM-CA-40 | SCM-CA-50 | SCM-CA-63 |
| 耳軸型 (TA/TB) | SCM-TA-20 | SCM-TA-25 | SCM-TA-32 | SCM-TA-40 | SCM-TA-50 | SCM-TA-63 |

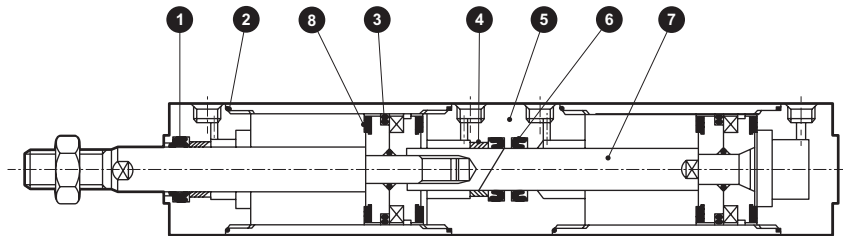
註1：各安裝固定架皆有添附安裝用螺栓。  
註2：腳架型安裝固定架為每組2個。

- SCP※3
- CMK2
- CMA2
- SCM**
- SCG
- SCA2
- SCS2
- CKV2
- CAV2・COV/PIN2
- SSD2
- SSG
- SSD
- CAT
- MDC2
- MVC
- SMG
- MSD・MSDG
- FC※
- STK
- SRL3
- SRG3
- SRM3
- SRT3
- MRL2
- MRG2
- SM-25
- 緩衝器
- FJ
- FK
- 調速閥
- 卷尾

## 使用範例



## 內部結構及零件一覽表



| 編號 | 零件名稱  | 材質     | 備註 | 編號 | 零件名稱  | 材質                         | 備註    |
|----|-------|--------|----|----|-------|----------------------------|-------|
| 1  | 活塞桿墊圈 | 丁腈橡膠   |    | 5  | 中間護蓋  | 鋁合金                        | 烤漆    |
| 2  | 氣缸墊圈  | 丁腈橡膠   |    | 6  | 活塞桿墊圈 | 丁腈橡膠                       |       |
| 3  | 活塞墊圈  | 丁腈橡膠   |    | 7  | 活塞桿   | φ20~φ25: 不鏽鋼<br>φ32~φ63: 鋼 | 工業用鍍鉻 |
| 4  | 軸套    | 含油軸承合金 |    | 8  | 緩衝橡膠  | 聚氨酯橡膠                      |       |

上述以外的零件皆與複動型相同。

## 消耗性零件一覽表

| 氣缸內徑 (mm) | 套件編號        | 消耗性零件編號 |
|-----------|-------------|---------|
| φ20       | SCM-W4-20DK | ① ② ③ ⑧ |
| φ25       | SCM-W4-25DK |         |
| φ32       | SCM-W4-32DK |         |
| φ40       | SCM-W4-40DK |         |
| φ50       | SCM-W4-50DK |         |
| φ63       | SCM-W4-63DK |         |

註1: 訂購時請指定套件編號。

註2: ⑥活塞桿墊圈無法更換, 故消耗品套件中不含該零件。

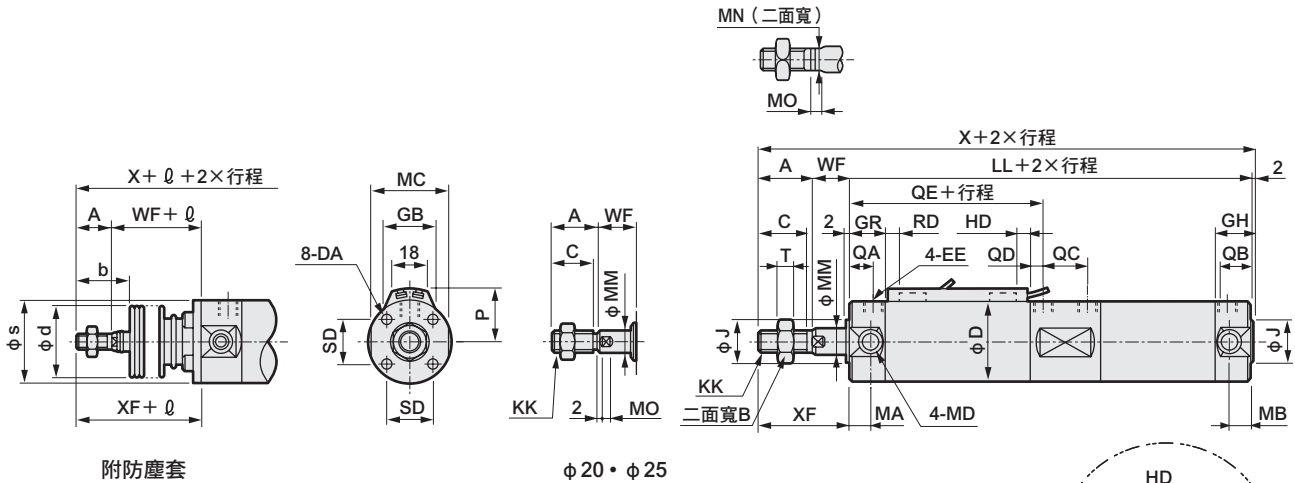
使用4個⑧緩衝橡膠時, 將有2個無法更換, 故消耗品套件包含2個零件。

### 外形尺寸圖

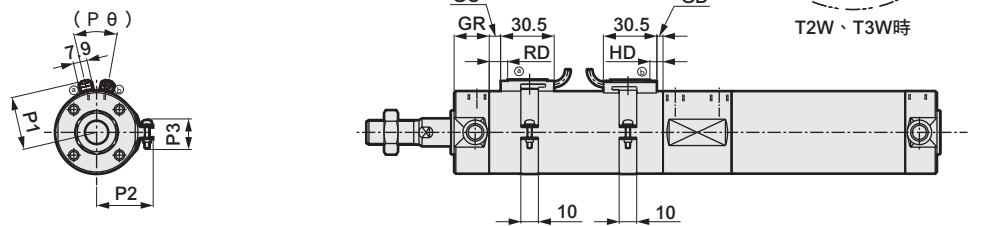


● 複動串聯型

● 開關安裝方式：導軌方式



● 開關安裝方式：綁帶方式



註1：雙色顯示方式、斷電延遲式、交流磁場用、T1H/V、T8H/V開關的RD、HD、突出尺寸等，請參閱第329頁。

| 記號        | 基本型 (00) 基本尺寸 |    |      |    |         |       |    |    |    |          |     |    |    |    |     |    |    |     |    |    |
|-----------|---------------|----|------|----|---------|-------|----|----|----|----------|-----|----|----|----|-----|----|----|-----|----|----|
| 氣缸內徑 (mm) | A             | B  | C    | D  | DA      | EE    | GH | GR | J  | KK       | LL  | MA | MB | MC | MD  | MM | MN | MO  | QA | QB |
| φ20       | 18            | 13 | 15.5 | 26 | M4深度6.5 | Rc1/8 | 17 | 19 | 12 | M8       | 135 | 11 | 11 | 24 | M5  | 8  | 6  | 4   | 12 | 10 |
| φ25       | 22            | 17 | 19.5 | 31 | M5深度6.5 | Rc1/8 | 17 | 19 | 14 | M10×1.25 | 135 | 11 | 11 | 29 | M6  | 10 | 8  | 5   | 12 | 10 |
| φ32       | 22            | 17 | 19.5 | 38 | M5深度7.5 | Rc1/8 | 17 | 19 | 18 | M10×1.25 | 141 | 11 | 10 | 36 | M8  | 12 | 10 | 5.5 | 12 | 10 |
| φ40       | 30            | 22 | 27   | 47 | M6深度12  | Rc1/8 | 19 | 20 | 25 | M14×1.5  | 156 | 12 | 10 | 44 | M10 | 16 | 14 | 6   | 13 | 12 |
| φ50       | 35            | 27 | 32   | 58 | M8深度16  | Rc1/4 | 22 | 25 | 30 | M18×1.5  | 181 | 13 | 12 | 55 | M12 | 20 | 17 | 8   | 15 | 12 |
| φ63       | 35            | 27 | 32   | 72 | M10深度16 | Rc1/4 | 22 | 25 | 32 | M18×1.5  | 181 | 13 | 12 | 69 | M14 | 20 | 17 | 8   | 15 | 12 |

| 記號        | 附防塵套 |    |    |      |    |    |     |    |      |    |      | 開關安裝方式：導軌方式   |      |      |       |                  |            |       |                  |            |
|-----------|------|----|----|------|----|----|-----|----|------|----|------|---------------|------|------|-------|------------------|------------|-------|------------------|------------|
|           | QC   | QD | QE | SD   | T  | WF | X   | XF | b    | d  | s    | ℓ             | P    | GB   | HD    |                  |            | RD    |                  |            |
| 氣缸內徑 (mm) | QC   | QD | QE | SD   | T  | WF | X   | XF | b    | d  | s    | ℓ             | P    | GB   | T0/T5 | T2/T2R<br>T3/T3P | T2W<br>T3W | T0/T5 | T2/T2R<br>T3/T3P | T2W<br>T3W |
| φ20       | 19   | 7  | 59 | 14   | 5  | 17 | 172 | 35 | 30   | 30 | 25.7 | (行程/3)+18.5   | 19.5 | 23   | 3.0   | 6.5              | 8.5        | 7.5   | 7.5              | 9.5        |
| φ25       | 19   | 7  | 59 | 16.5 | 6  | 18 | 177 | 40 | 35   | 30 | 30.7 | (行程/3)+20.5   | 22   | 24.4 | 2.0   | 5.5              | 7.5        | 8.5   | 8.5              | 10.5       |
| φ32       | 21   | 7  | 61 | 20   | 6  | 18 | 183 | 40 | 31.5 | 35 | 37.7 | (行程/3)+19     | 25.5 | 25   | 3.0   | 6.5              | 8.5        | 9.5   | 9.5              | 11.5       |
| φ40       | 25   | 7  | 66 | 26   | 8  | 20 | 208 | 50 | 40   | 35 | 46.7 | (行程/3)+18.5   | 30   | 25.7 | 5.0   | 8.5              | 10.5       | 11.5  | 11.5             | 13.5       |
| φ50       | 28   | 10 | 78 | 32   | 11 | 23 | 241 | 58 | 46   | 40 | 57.7 | (行程/3.6)+18.5 | 35.5 | 26.2 | 7.5   | 11.0             | 13.0       | 13.0  | 13.0             | 15.0       |
| φ63       | 28   | 10 | 78 | 38   | 11 | 23 | 241 | 58 | 46   | 40 | 71.7 | (行程/3.6)+18.5 | 42.5 | 26.5 | 7.5   | 11.0             | 13.0       | 13.0  | 13.0             | 15.0       |

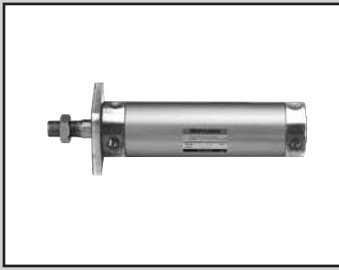
  

| 記號        | 開關安裝方式：綁帶方式 |       |            |       |       |            |       |       |            |       |       |            |       |       |            |       |
|-----------|-------------|-------|------------|-------|-------|------------|-------|-------|------------|-------|-------|------------|-------|-------|------------|-------|
|           | GC          |       |            | GD    |       |            | HD    |       |            | RD    |       |            | P1    | P2    | P3         | Pθ    |
| 氣缸內徑 (mm) | T0/T5       | T2,T3 | T2W<br>T3W | T0/T5 | T2,T3 | T2W<br>T3W | T0/T5 | T2,T3 | T2W<br>T3W | T0/T5 | T2,T3 | T2W<br>T3W | T0/T5 | T2,T3 | T2W<br>T3W |       |
| φ20       | 3.5         | 3.5   | 5.5        | 2.5   | 2.5   | 4.5        | 6.5   | 6.5   | 8.5        | 7.5   | 7.5   | 9.5        | 19.6  | 21.5  | 14         | (38°) |
| φ25       | 4.5         | 4.5   | 6.5        | 1.5   | 1.5   | 3.5        | 5.5   | 5.5   | 7.5        | 8.5   | 8.5   | 10.5       | 22.1  | 23.9  | 14         | (34°) |
| φ32       | 5.5         | 5.5   | 7.5        | 2.5   | 2.5   | 4.5        | 6.5   | 6.5   | 8.5        | 9.5   | 9.5   | 11.5       | 25.6  | 27.6  | 16         | (30°) |
| φ40       | 7.5         | 7.5   | 9.5        | 4.5   | 4.5   | 6.5        | 8.5   | 8.5   | 10.5       | 11.5  | 11.5  | 13.5       | 30.2  | 32.1  | 16         | (26°) |
| φ50       | 9.0         | 9.0   | 11.0       | 7.0   | 7.0   | 9.0        | 11.0  | 11.0  | 13.0       | 13.0  | 13.0  | 15.0       | 35.7  | 37.4  | 16         | (22°) |
| φ63       | 9.0         | 9.0   | 11.0       | 7.0   | 7.0   | 9.0        | 11.0  | 11.0  | 13.0       | 13.0  | 13.0  | 15.0       | 42.7  | 44.4  | 16         | (20°) |

※各安裝型式的安裝尺寸與SCM（複動型）相同。請參閱第226~237頁。  
 ※附屬品的外形尺寸圖請參閱第238、239頁。

- SCM※3
- CMK2
- CMA2
- SCM
- SCG
- SCA2
- SCS2
- CKV2
- CAV2・COVPIN2
- SSD2
- SSG
- SSD
- CAT
- MDC2
- MVC
- SMG
- MSD・MSDG
- FC※
- STK
- SRL3
- SRG3
- SRM3
- SRT3
- MRL2
- MRG2
- SM-25
- 緩衝器
- FJ
- FK
- 調速閥
- 卷尾

SCP\*3  
CMK2  
CMA2

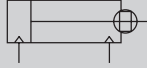


微型氣缸  
複動、止轉型

# SCM-M Series

● 氣缸內徑：φ 20、φ 25、φ 32、φ 40、φ 50、φ 63

JIS記號



SCM

## 規格

| 項目     | SCM-M                   |                            |      |      |           |      |      |  |
|--------|-------------------------|----------------------------|------|------|-----------|------|------|--|
| 氣缸內徑   | mm                      | φ 20                       | φ 25 | φ 32 | φ 40      | φ 50 | φ 63 |  |
| 動作方式   | 複動、止轉型                  |                            |      |      |           |      |      |  |
| 使用流體   | 壓縮空氣                    |                            |      |      |           |      |      |  |
| 最高使用壓力 | MPa                     | 1.0                        |      |      |           |      |      |  |
| 最低使用壓力 | MPa                     | 0.1                        |      |      |           | 0.05 |      |  |
| 耐壓力    | MPa                     | 1.6                        |      |      |           |      |      |  |
| 環境溫度   | °C                      | -10~60 (避免結凍)              |      |      |           |      |      |  |
| 連接口徑   |                         | Rc1/8                      |      |      | Rc1/4     |      |      |  |
| 行程容許差  | mm                      | +1.4<br>0                  |      |      | +2.3<br>0 |      |      |  |
| 使用活塞速度 | mm/s                    | 30~1000 (使用時不得超過吸收能量的容許範圍) |      |      |           |      |      |  |
| 緩衝     | 橡膠緩衝                    |                            |      |      |           |      |      |  |
| 給油     | 不要 (給油時請使用渦輪機油ISO VG32) |                            |      |      |           |      |      |  |
| 不旋轉精度  | 度                       | ±1                         |      |      |           |      |      |  |
| 容許吸收能量 | J                       | 0.1                        | 0.2  | 0.5  | 0.9       | 1.6  | 1.6  |  |

SCG

SCA2

SCS2

CKV2

CAV2  
COVPIN2

SSD2

SSG

SSD

CAT

MDC2

## 行程

| 氣缸內徑 (mm) | 標準行程 (mm)                              | 最大行程 (mm) | 最小行程 (mm) |
|-----------|--|-----------|-----------|
| φ 20      | 25、50、75<br>100、125、150<br>200、250、300 | 600       | 10        |
| φ 25      |  |           |           |
| φ 32      |  |           |           |
| φ 40      |  |           |           |
| φ 50      |  |           |           |
| φ 63      |  |           |           |

註1：中間行程的製作規格間距為1mm。

MVC

SMG

MSD  
MSDG

FC\*

STK

## 開關安裝數量及最小行程 (mm)

● 開關安裝方式：導軌方式

| 開關數量<br>氣缸內徑<br>(mm) | 1     |         |       |     | 2     |         |       |     | 3     |         |       |     | 4     |         |       |     | 5     |         |       |     |
|----------------------|-------|---------|-------|-----|-------|---------|-------|-----|-------|---------|-------|-----|-------|---------|-------|-----|-------|---------|-------|-----|
|                      | 無接點   |         |       | 有接點 | 無接點   |         |       | 有接點 | 無接點   |         |       | 有接點 | 無接點   |         |       | 有接點 | 無接點   |         |       | 有接點 |
|                      | T2,T3 | T2W,T3W | T*Y** |     | T2,T3 | T2W,T3W | T*Y** |     | T2,T3 | T2W,T3W | T*Y** |     | T2,T3 | T2W,T3W | T*Y** |     | T2,T3 | T2W,T3W | T*Y** |     |
| φ 20                 | 10    |         |       |     | 25    |         |       |     | 50    | 70      | 70    | 55  | 55    | 70      | 70    | 55  | 75    | 110     | 110   | 90  |
| φ 25                 | 10    |         |       |     | 25    |         |       |     | 50    | 70      | 70    | 55  | 55    | 70      | 70    | 55  | 75    | 110     | 110   | 90  |
| φ 32                 | 10    |         |       |     | 25    |         |       |     | 50    | 70      | 70    | 55  | 55    | 70      | 70    | 55  | 75    | 110     | 110   | 90  |
| φ 40                 | 10    |         |       |     | 25    |         |       |     | 50    | 70      | 70    | 55  | 55    | 70      | 70    | 55  | 75    | 110     | 110   | 90  |
| φ 50                 | 10    |         |       |     | 25    |         |       |     | 50    | 65      | 65    | 55  | 55    | 65      | 65    | 55  | 75    | 110     | 110   | 90  |
| φ 63                 | 10    |         |       |     | 25    |         |       |     | 50    | 65      | 65    | 55  | 55    | 65      | 65    | 55  | 75    | 110     | 110   | 90  |

SRL3

SRG3

SRM3

SRT3

MRL2

MRG2

● 開關安裝方式：綁帶方式

| 開關數量<br>氣缸內徑<br>(mm) | 1     |         |       |     | 2     |         |       |     | 3     |         |       |     | 4     |         |       |     | 5     |         |       |     |
|----------------------|-------|---------|-------|-----|-------|---------|-------|-----|-------|---------|-------|-----|-------|---------|-------|-----|-------|---------|-------|-----|
|                      | 無接點   |         |       | 有接點 | 無接點   |         |       | 有接點 | 無接點   |         |       | 有接點 | 無接點   |         |       | 有接點 | 無接點   |         |       | 有接點 |
|                      | T2,T3 | T2W,T3W | T*Y** |     | T2,T3 | T2W,T3W | T*Y** |     | T2,T3 | T2W,T3W | T*Y** |     | T2,T3 | T2W,T3W | T*Y** |     | T2,T3 | T2W,T3W | T*Y** |     |
| φ 20                 | 10    |         |       |     | 25    | 30      | 35    | 25  | 50    | 55      | 55    | 50  | 75    | 75      | 80    | 70  | 95    | 100     | 100   | 95  |
| φ 25                 | 10    |         |       |     | 25    | 30      | 35    | 25  | 50    | 55      | 55    | 50  | 75    | 75      | 80    | 70  | 95    | 100     | 100   | 95  |
| φ 32                 | 10    |         |       |     | 25    | 30      | 35    | 25  | 50    | 55      | 55    | 50  | 75    | 75      | 80    | 70  | 95    | 100     | 100   | 95  |
| φ 40                 | 10    |         |       |     | 25    | 30      | 35    | 25  | 50    | 55      | 55    | 50  | 75    | 75      | 80    | 70  | 95    | 100     | 100   | 95  |
| φ 50                 | 10    |         |       |     | 25    | 30      | 35    | 25  | 50    | 55      | 55    | 50  | 75    | 75      | 80    | 70  | 95    | 100     | 100   | 95  |
| φ 63                 | 10    |         |       |     | 25    | 30      | 35    | 25  | 50    | 55      | 55    | 50  | 75    | 75      | 80    | 70  | 95    | 100     | 100   | 95  |

SM-25

緩衝器

FJ

FK

調速閥

卷尾

註1：由於附1個開關且行程10mm以上未滿25mm的規格，其開關導軌安裝位置會改變，因此無法製作安裝型式耳軸型。另外，安裝位置請參閱第329頁。



### 開關規格

● 單色/雙色顯示方式

| 項目   | 無接點2線式                           |                       |                         |                         | 無接點3線式         |                      |                         |                         | 有接點2線式                  |                                |             |                | 無接點2線式       |                         |        |           |
|------|----------------------------------|-----------------------|-------------------------|-------------------------|----------------|----------------------|-------------------------|-------------------------|-------------------------|--------------------------------|-------------|----------------|--------------|-------------------------|--------|-----------|
|      | T1H・T1V                          | T2H・T2V・<br>T2JH・T2JV | T2YH・<br>T2YV           | T2WH・<br>T2WV           | T3H・T3V        | T3PH・T3PV<br>(接單生產)  | T3YH・<br>T3YV           | T3WH・<br>T3WV           | T0H・T0V                 | T5H・T5V                        | T8H・T8V     |                | T2YD         |                         |        |           |
| 用途   | 可程式控制器<br>繼電器、小型電磁開關             | 可程式控制器專用              |                         |                         | 可程式控制器、繼電器用    |                      |                         |                         | 可程式控制器、<br>繼電器用         | 可程式控制器、繼電器<br>IC選路(無顯示燈)、串聯連接用 | 可程式控制器、繼電器用 |                | 可程式<br>控制器專用 |                         |        |           |
| 輸出方式 | —                                |                       |                         |                         | NPN輸出          | PNP輸出                | NPN輸出                   | NPN輸出                   | —                       |                                |             |                | —            |                         |        |           |
| 電源電壓 | —                                |                       |                         |                         | DC10~28V       |                      |                         |                         | —                       |                                |             |                | —            |                         |        |           |
| 負載電壓 | AC85~265V                        | DC10~30V              | DC24V±10%               |                         | DC30V以下        |                      |                         |                         | DC12/24V                | AC100/110V                     | DC5/12/24V  | AC100/110V     | DC12/24V     | AC110V                  | AC220V | DC24V±10% |
| 負載電流 | 5~100mA                          | 5~20mA (註2)           |                         |                         | 100mA以下        |                      | 50mA以下                  |                         | 5~50mA                  | 7~20mA                         | 50mA以下      | 20mA以下         | 5~50mA       | 7~20mA                  | 7~10mA | 5~20mA    |
| 顯示燈  | LED<br>(ON時亮燈)                   | LED<br>(ON時亮燈)        | 紅色/綠色<br>LED<br>(ON時亮燈) | 紅色/綠色<br>LED<br>(ON時亮燈) | LED<br>(ON時亮燈) | 黃色<br>LED<br>(ON時亮燈) | 紅色/綠色<br>LED<br>(ON時亮燈) | 紅色/綠色<br>LED<br>(ON時亮燈) | LED<br>(ON時亮燈)          | 無顯示燈                           |             | LED<br>(ON時亮燈) |              | 紅色/綠色<br>LED<br>(ON時亮燈) |        |           |
| 漏電電流 | AC100V時電流小於1mA<br>AC200V時電流小於2mA | 1mA以下                 |                         |                         | 10μA以下         |                      |                         |                         | 0mA                     |                                |             |                | 1mA以下        |                         |        |           |
| 重量 g | 1m : 33                          | 1m : 18               | 1m : 33                 | 1m : 18                 | 1m : 18        |                      | 1m : 33                 | 1m : 18                 | 1m : 18 3m : 49 5m : 80 |                                |             |                | 1m : 33      | 1m : 61                 |        |           |
|      | 3m : 87                          | 3m : 49               | 3m : 87                 | 3m : 49                 | 3m : 49        |                      | 3m : 87                 | 3m : 49                 | 3m : 49 5m : 80         |                                |             |                | 3m : 87      | 3m : 166                |        |           |
|      | 5m : 142                         | 5m : 80               | 5m : 142                | 5m : 80                 | 5m : 80        |                      | 5m : 142                | 5m : 80                 | 5m : 80                 |                                |             |                | 5m : 142     | 5m : 272                |        |           |

註1：其他開關規格，請參閱卷尾第1頁。

註2：上述負載電流的最大值：20mA為溫度25°C時的數值。開關使用環境溫度若高於25°C，電流將降低至低於20mA。  
(溫度到達60°C時，則電流為5~10mA。)

註3：T0/T5開關也可使用AC220V。關於使用條件，請洽詢本公司。

註4：交流磁場用開關(T2YD)於直流磁場環境下無法使用。

註5：外形尺寸視開關型號而異。詳細內容請參閱卷尾第18頁。

### 氣缸重量

(單位：kg)

| 項目、安裝型式 | 行程(S)=0mm時的產品重量 |       |      |      |      | 開關重量<br>(每1個)          | S=10mm時<br>的累計重量 | S=10mm時的累計<br>重量(附導軌) | 1個開關的<br>綁帶重量 |
|---------|-----------------|-------|------|------|------|------------------------|------------------|-----------------------|---------------|
|         | 基本型             | 軸向腳架型 | 法蘭型  | 吊耳型  | 耳軸型  |                        |                  |                       |               |
| 氣缸內徑    |                 |       |      |      |      | 請參閱開關<br>規格內記載<br>的重量。 | 0.010            | 0.012                 | 0.007         |
| φ20     | 0.10            | 0.21  | 0.13 | 0.15 | 0.11 |                        | 0.014            | 0.016                 | 0.007         |
| φ25     | 0.18            | 0.31  | 0.22 | 0.26 | 0.20 |                        | 0.018            | 0.020                 | 0.007         |
| φ32     | 0.27            | 0.43  | 0.33 | 0.42 | 0.30 |                        | 0.030            | 0.032                 | 0.007         |
| φ40     | 0.44            | 0.66  | 0.52 | 0.67 | 0.49 |                        | 0.044            | 0.046                 | 0.008         |
| φ50     | 0.85            | 1.33  | 1.19 | 1.25 | 0.99 |                        | 0.052            | 0.054                 | 0.009         |
| φ63     | 1.15            | 1.87  | 1.65 | 1.83 | 1.29 |                        |                  |                       |               |

(範例) SCM-M-LB-40D-100-T2H-D的產品重量

$$\left\{ \begin{array}{l} S=0\text{mm時的產品重量} \cdots\cdots\cdots 0.66\text{kg} \\ S=100\text{mm時的累計重量} \cdots\cdots\cdots 0.032 \times \frac{100}{10} = 0.32\text{kg} \\ 2\text{個開關的重量} \cdots\cdots\cdots 0.036\text{kg} \\ \text{產品重量} \cdots\cdots\cdots 0.66\text{kg} + 0.32\text{kg} + 0.036\text{kg} = 1.016\text{kg} \end{array} \right.$$

### 理論推力表

(單位：N)

| 氣缸內徑<br>(mm) | 動作方向 | 使用壓力 MPa             |                      |                      |                      |                      |                      |                      |                      |                      |                      |                      |
|--------------|------|----------------------|----------------------|----------------------|----------------------|----------------------|----------------------|----------------------|----------------------|----------------------|----------------------|----------------------|
|              |      | 0.1                  | 0.15                 | 0.2                  | 0.3                  | 0.4                  | 0.5                  | 0.6                  | 0.7                  | 0.8                  | 0.9                  | 1.0                  |
| φ20          | Push | 31.4                 | 47.1                 | 62.8                 | 94.2                 | 1.26×10 <sup>2</sup> | 1.57×10 <sup>2</sup> | 1.88×10 <sup>2</sup> | 2.20×10 <sup>2</sup> | 2.51×10 <sup>2</sup> | 2.83×10 <sup>2</sup> | 3.14×10 <sup>2</sup> |
|              | Pull | 26.4                 | 39.6                 | 52.8                 | 79.2                 | 1.06×10 <sup>2</sup> | 1.32×10 <sup>2</sup> | 1.58×10 <sup>2</sup> | 1.85×10 <sup>2</sup> | 2.11×10 <sup>2</sup> | 2.38×10 <sup>2</sup> | 2.64×10 <sup>2</sup> |
| φ25          | Push | 49.1                 | 73.6                 | 98.2                 | 1.47×10 <sup>2</sup> | 1.96×10 <sup>2</sup> | 2.45×10 <sup>2</sup> | 2.95×10 <sup>2</sup> | 3.44×10 <sup>2</sup> | 3.93×10 <sup>2</sup> | 4.42×10 <sup>2</sup> | 4.91×10 <sup>2</sup> |
|              | Pull | 41.2                 | 61.9                 | 82.5                 | 1.24×10 <sup>2</sup> | 1.65×10 <sup>2</sup> | 2.06×10 <sup>2</sup> | 2.47×10 <sup>2</sup> | 2.89×10 <sup>2</sup> | 3.30×10 <sup>2</sup> | 3.71×10 <sup>2</sup> | 4.12×10 <sup>2</sup> |
| φ32          | Push | 80.4                 | 1.21×10 <sup>2</sup> | 1.61×10 <sup>2</sup> | 2.41×10 <sup>2</sup> | 3.22×10 <sup>2</sup> | 4.02×10 <sup>2</sup> | 4.83×10 <sup>2</sup> | 5.63×10 <sup>2</sup> | 6.43×10 <sup>2</sup> | 7.24×10 <sup>2</sup> | 8.04×10 <sup>2</sup> |
|              | Pull | 69.1                 | 1.04×10 <sup>2</sup> | 1.38×10 <sup>2</sup> | 2.07×10 <sup>2</sup> | 2.76×10 <sup>2</sup> | 3.46×10 <sup>2</sup> | 4.15×10 <sup>2</sup> | 4.84×10 <sup>2</sup> | 5.53×10 <sup>2</sup> | 6.22×10 <sup>2</sup> | 6.91×10 <sup>2</sup> |
| φ40          | Push | 1.26×10 <sup>2</sup> | 1.88×10 <sup>2</sup> | 2.51×10 <sup>2</sup> | 3.77×10 <sup>2</sup> | 5.03×10 <sup>2</sup> | 6.28×10 <sup>2</sup> | 7.54×10 <sup>2</sup> | 8.80×10 <sup>2</sup> | 1.01×10 <sup>3</sup> | 1.13×10 <sup>3</sup> | 1.26×10 <sup>3</sup> |
|              | Pull | 1.06×10 <sup>2</sup> | 1.58×10 <sup>2</sup> | 2.11×10 <sup>2</sup> | 3.17×10 <sup>2</sup> | 4.22×10 <sup>2</sup> | 5.28×10 <sup>2</sup> | 6.33×10 <sup>2</sup> | 7.39×10 <sup>2</sup> | 8.44×10 <sup>2</sup> | 9.50×10 <sup>2</sup> | 1.06×10 <sup>3</sup> |
| φ50          | Push | 1.96×10 <sup>2</sup> | 2.95×10 <sup>2</sup> | 3.93×10 <sup>2</sup> | 5.89×10 <sup>2</sup> | 7.85×10 <sup>2</sup> | 9.82×10 <sup>2</sup> | 1.18×10 <sup>3</sup> | 1.37×10 <sup>3</sup> | 1.57×10 <sup>3</sup> | 1.77×10 <sup>3</sup> | 1.96×10 <sup>3</sup> |
|              | Pull | 1.65×10 <sup>2</sup> | 2.47×10 <sup>2</sup> | 3.30×10 <sup>2</sup> | 4.95×10 <sup>2</sup> | 6.60×10 <sup>2</sup> | 8.25×10 <sup>2</sup> | 9.90×10 <sup>2</sup> | 1.15×10 <sup>3</sup> | 1.32×10 <sup>3</sup> | 1.48×10 <sup>3</sup> | 1.65×10 <sup>3</sup> |
| φ63          | Push | 3.12×10 <sup>2</sup> | 4.68×10 <sup>2</sup> | 6.23×10 <sup>2</sup> | 9.35×10 <sup>2</sup> | 1.25×10 <sup>3</sup> | 1.56×10 <sup>3</sup> | 1.87×10 <sup>3</sup> | 2.18×10 <sup>3</sup> | 2.49×10 <sup>3</sup> | 2.81×10 <sup>3</sup> | 3.12×10 <sup>3</sup> |
|              | Pull | 2.80×10 <sup>2</sup> | 4.20×10 <sup>2</sup> | 5.61×10 <sup>2</sup> | 8.41×10 <sup>2</sup> | 1.12×10 <sup>3</sup> | 1.40×10 <sup>3</sup> | 1.68×10 <sup>3</sup> | 1.96×10 <sup>3</sup> | 2.24×10 <sup>3</sup> | 2.52×10 <sup>3</sup> | 2.80×10 <sup>3</sup> |

## 型號標示方法

無開關（內置開關用磁鐵）

SCM-M - LB - 40 - D - 100 - J - I

附開關（內置開關用磁鐵）

SCM-M - LB - 40 - D - 100 - T0H - D - J - I

A 安裝型式  
註1

B 氣缸內徑

C 配管螺牙種類

D 緩衝

E 行程

F 開關型號  
註4  
註5

G 開關數量

H 開關安裝方式

I 選購品

註2

註6

註7

J 附屬品

註9

### 選定型號時的注意事項

- 註1：安裝固定架將添附於產品內一併出貨。  
 註2：附防塵套且安裝固定架為LB、FA、TA時，為組裝後出貨。  
 註3：關於開關安裝數量及最小行程，請參閱第318頁。  
 註4：除了F所示的開關型號外，亦備有其他開關可供選擇。（接單生產）  
 詳細內容請參閱卷尾第1頁。  
 註5：若氣缸內徑為φ20~φ40且開關安裝方式採導軌方式，將無法配置T8H/V開關。  
 註6：瞬間最高溫度是指火花或切削粉末等瞬間接觸到防塵套時的溫度。  
 註7：有關活塞桿前端外形製作規格，請參閱卷尾第85頁。  
 註8：開關安裝方式若選定「Z」，將無法選定添附開關導軌出貨「Q」之選項。  
 註9：無法同時選定「I」和「Y」。  
 註10：開關將添附於產品內一併出貨。如需組裝產品後出貨，請洽詢本公司。

### 〈型號標示範例〉

SCM-M-LB-40D-100-T0H-D-JI

機型：微型氣缸 複動、止轉型

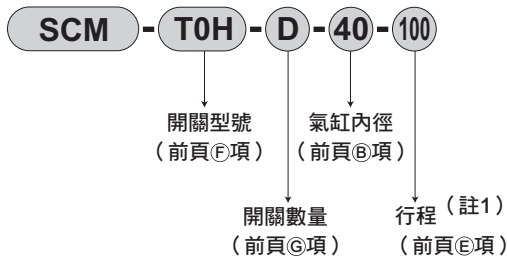
- A 安裝型式：軸向腳架型  
 B 氣缸內徑：φ40mm  
 C 配管螺牙種類：Rc螺牙  
 D 緩衝：附兩側橡膠緩衝  
 E 行程：100mm  
 F 開關型號：有接點T0H開關、導線1m  
 G 開關數量：附2個  
 H 開關安裝方式：導軌方式  
 I 選購品：防塵套材質、最高環境溫度60°C用  
 J 附屬品：一山關節

| 記號                 | 內容                  |         |        |    |        |    |              |
|--------------------|---------------------|---------|--------|----|--------|----|--------------|
| <b>A 安裝型式</b>      |                     |         |        |    |        |    |              |
| 00                 | 基本型                 |         |        |    |        |    |              |
| LB                 | 軸向腳架型               |         |        |    |        |    |              |
| FA                 | 活塞桿側法蘭型             |         |        |    |        |    |              |
| FB                 | 頭蓋側法蘭型              |         |        |    |        |    |              |
| CA                 | 一山吊耳型               |         |        |    |        |    |              |
| TA                 | 活塞桿側耳軸型             |         |        |    |        |    |              |
| TB                 | 頭蓋側耳軸型              |         |        |    |        |    |              |
| <b>B 氣缸內徑 (mm)</b> |                     |         |        |    |        |    |              |
| 20                 | φ20                 |         |        |    |        |    |              |
| 25                 | φ25                 |         |        |    |        |    |              |
| 32                 | φ32                 |         |        |    |        |    |              |
| 40                 | φ40                 |         |        |    |        |    |              |
| 50                 | φ50                 |         |        |    |        |    |              |
| 63                 | φ63                 |         |        |    |        |    |              |
| <b>C 配管螺牙種類</b>    |                     |         |        |    |        |    |              |
| 無記號                | Rc螺牙                |         |        |    |        |    |              |
| N                  | NPT螺牙（接單生產）         |         |        |    |        |    |              |
| G                  | G螺牙（接單生產）           |         |        |    |        |    |              |
| <b>D 緩衝</b>        |                     |         |        |    |        |    |              |
| D                  | 附兩側橡膠緩衝             |         |        |    |        |    |              |
| <b>E 行程 (mm)</b>   |                     |         |        |    |        |    |              |
| 氣缸內徑               | 行程註2                | 中間行程    |        |    |        |    |              |
| φ20~φ63            | 10~600              | 以1mm為單位 |        |    |        |    |              |
| <b>F 開關型號</b>      |                     |         |        |    |        |    |              |
| 導線直型               | 導線L型                | 接點      | 電壓     | 顯示 | 導線     |    |              |
| T0H※               | T0V※                | 有接點     | AC     | DC | 單色顯示方式 | 2線 |              |
| T5H※               | T5V※                |         | ●      | ●  |        |    | 無顯示燈         |
| T8H※               | T8V※                |         | ●      | ●  |        |    | 單色顯示方式       |
| T1H※               | T1V※                | 無接點     | ●      |    | 單色顯示方式 | 2線 |              |
| T2H※               | T2V※                |         |        | ●  |        |    | 單色顯示方式（接單生產） |
| T3H※               | T3V※                |         |        | ●  | 雙色顯示方式 | 3線 |              |
| T3PH※              | T3PV※               |         |        | ●  |        |    | 雙色顯示方式       |
| T2WH※              | T2WV※               |         |        | ●  | 交流磁場用  | 2線 |              |
| T2YH※              | T2YV※               |         |        | ●  |        |    | 單色顯示方式斷電延遲型  |
| T3WH※              | T3WV※               |         |        | ●  |        |    |              |
| T3YH※              | T3YV※               |         |        | ●  |        |    |              |
| T2YD※              | -                   |         |        | ●  |        |    |              |
| T2YDT※             | -                   |         |        | ●  |        |    |              |
| T2JH※              | T2JV※               |         | ●      |    |        |    |              |
| <b>※導線長度</b>       |                     |         |        |    |        |    |              |
| 無記號                | 1m（標準）              |         |        |    |        |    |              |
| 3                  | 3m（選購品）             |         |        |    |        |    |              |
| 5                  | 5m（選購品）             |         |        |    |        |    |              |
| <b>G 開關數量</b>      |                     |         |        |    |        |    |              |
| R                  | 活塞桿側附1個             |         |        |    |        |    |              |
| H                  | 頭蓋側附1個              |         |        |    |        |    |              |
| D                  | 附2個                 |         |        |    |        |    |              |
| T                  | 附3個                 |         |        |    |        |    |              |
| 4                  | 附4個（如為4個以上，則加入開關數量） |         |        |    |        |    |              |
| <b>H 開關安裝方式</b>    |                     |         |        |    |        |    |              |
| 無記號                | 導軌方式                |         |        |    |        |    |              |
| Z                  | 綁帶方式                |         |        |    |        |    |              |
| <b>I 選購品</b>       |                     |         |        |    |        |    |              |
|                    |                     | 最高環境溫度  | 瞬間最高溫度 |    |        |    |              |
| J                  | 防塵套                 | 60°C    | 100°C  |    |        |    |              |
| K                  | 防塵套                 | 100°C   | 200°C  |    |        |    |              |
| L                  | 防塵套                 | 250°C   | 400°C  |    |        |    |              |
| Q                  | 開關導軌添附出貨            |         |        |    |        |    |              |
| <b>J 附屬品</b>       |                     |         |        |    |        |    |              |
| I                  | 一山關節                |         |        |    |        |    |              |
| Y                  | 二山關節（添附插銷及止環）       |         |        |    |        |    |              |
| B2                 | 二山固定架               |         |        |    |        |    |              |

## 開關單品型號標示方法

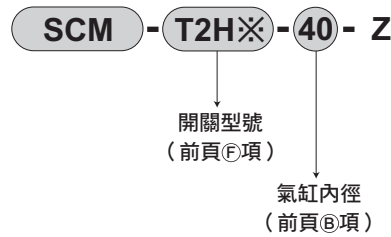
〈開關安裝方式：導軌方式〉

● 開關本體 + 安裝導軌一式

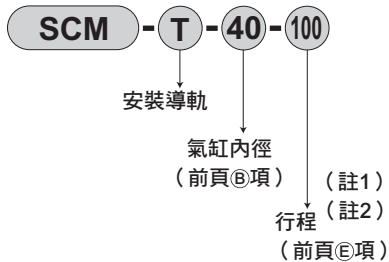


〈開關安裝方式：綁帶方式〉

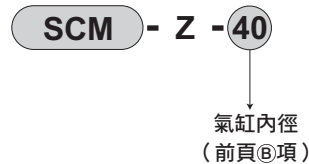
● 開關本體 + 安裝固定架一式 + 綁帶



● 僅安裝導軌



● 安裝固定架一式 + 綁帶

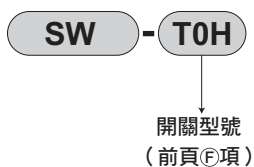


註1：行程超出300mm者請標示X。

行程超出300mm時，每一個開關將附有1支短導軌（開關調整移動距離為100mm）。

註2：僅安裝導軌且標示為X時，請依照所使用的開關數量訂購相同數量的導軌。

〈僅開關本體〉



## 安裝固定架型號標示方法

| 氣缸內徑 (mm)   | φ 20      | φ 25      | φ 32      | φ 40      | φ 50      | φ 63      |
|-------------|-----------|-----------|-----------|-----------|-----------|-----------|
| 安裝固定架       |           |           |           |           |           |           |
| 腳架 (LB)     | SCM-LB-20 | SCM-LB-25 | SCM-LB-32 | SCM-LB-40 | SCM-LB-50 | SCM-LB-63 |
| 法蘭 (FA/FB)  | SCM-FA-20 | SCM-FA-25 | SCM-FA-32 | SCM-FA-40 | SCM-FA-50 | SCM-FA-63 |
| 一山吊耳 (CA)   | SCM-CA-20 | SCM-CA-25 | SCM-CA-32 | SCM-CA-40 | SCM-CA-50 | SCM-CA-63 |
| 耳軸型 (TA/TB) | SCM-TA-20 | SCM-TA-25 | SCM-TA-32 | SCM-TA-40 | SCM-TA-50 | SCM-TA-63 |

註1：各安裝固定架已添附安裝用螺栓。

註2：腳架型安裝固定架為每組2個。

## 內部結構圖

與標準型相同。請參閱第222頁。

## 消耗性零件一覽表

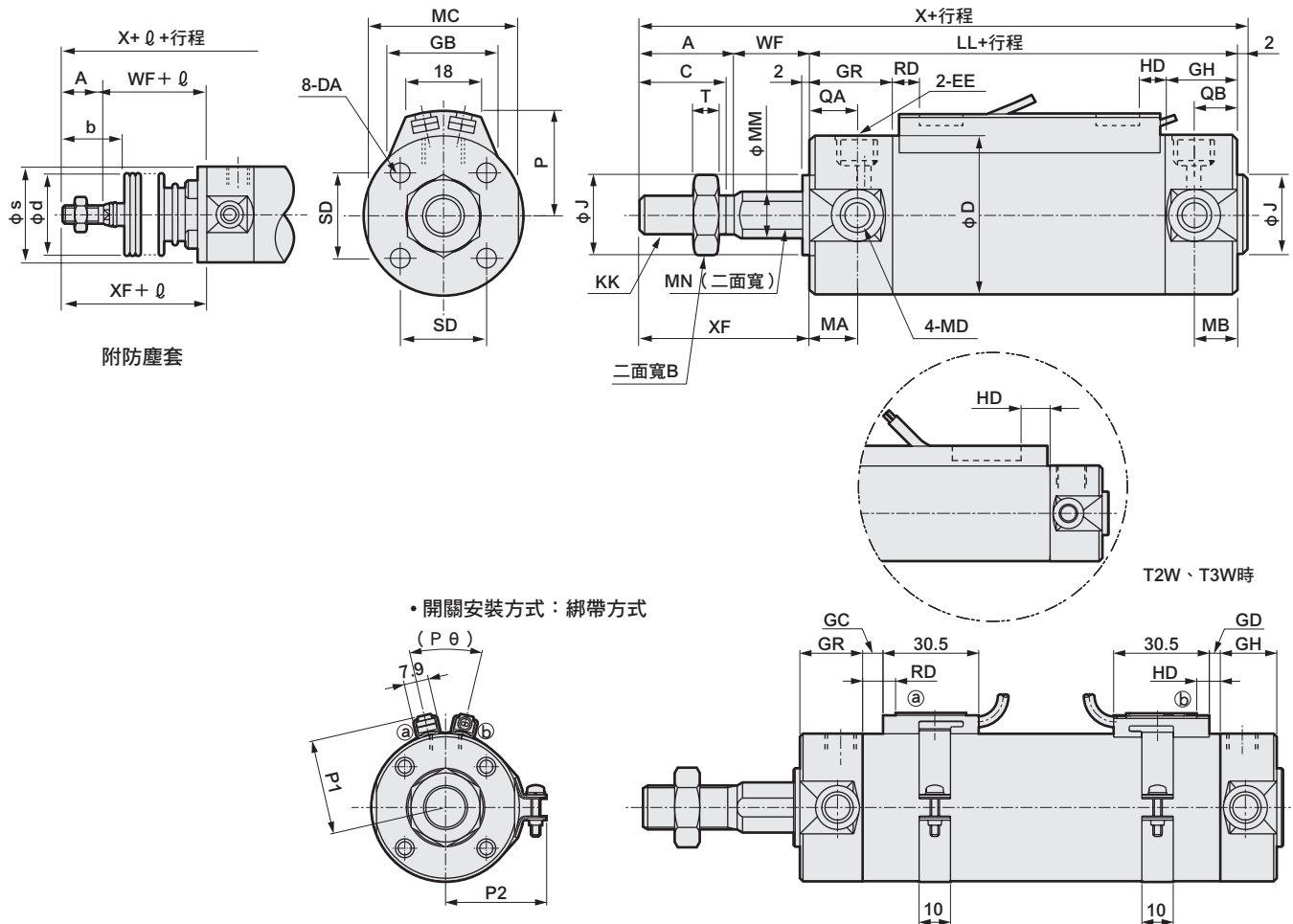
| 氣缸內徑 (mm) | 套件編號      | 消耗性零件編號     |
|-----------|-----------|-------------|
| φ 20      | SCM-M-20K | 3 6 8 10 13 |
| φ 25      | SCM-M-25K |             |
| φ 32      | SCM-M-32K |             |
| φ 40      | SCM-M-40K |             |
| φ 50      | SCM-M-50K |             |
| φ 63      | SCM-M-63K |             |

- SCP※3
- CMK2
- CMA2
- SCM**
- SCG
- SCA2
- SCS2
- CKV2
- CAV2・COV/PIN2
- SSD2
- SSG
- SSD
- CAT
- MDC2
- MVC
- SMG
- MSD・MSDG
- FC※
- STK
- SRL3
- SRG3
- SRM3
- SRT3
- MRL2
- MRG2
- SM-25
- 緩衝器
- FJ
- FK
- 調速閥
- 卷尾

## 外形尺寸圖

● 複動止轉型

● 開關安裝方式：導軌方式



註1：雙色顯示方式、斷電延遲式、交流磁場用、T1H/V、T8H/V開關的RD、HD、突出尺寸等，請參閱第329頁。

| 記號    | 基本型 (00) 基本尺寸 |       |       |         |       |         |         |       |             |         |          |       |         |      |      |      |       |    |    |    |
|-------|---------------|-------|-------|---------|-------|---------|---------|-------|-------------|---------|----------|-------|---------|------|------|------|-------|----|----|----|
|       | A             | B     | C     | D       | DA    | EE      | GH      | GR    | J           | KK      | LL       | MA    | MB      | MC   | MD   | MM   | MN    | QA | QB |    |
| STK   | φ20           | 18    | 13    | 15.5    | 26    | M4深度6.5 | Rc1/8   | 17    | 19          | 12      | M8       | 69    | 11      | 11   | 24   | M5   | 10    | 8  | 12 | 10 |
| SRL3  | φ25           | 22    | 17    | 19.5    | 31    | M5深度6.5 | Rc1/8   | 17    | 19          | 14      | M10×1.25 | 69    | 11      | 11   | 29   | M6   | 12    | 10 | 12 | 10 |
|       | φ32           | 22    | 17    | 19.5    | 38    | M5深度7.5 | Rc1/8   | 17    | 19          | 18      | M10×1.25 | 71    | 11      | 10   | 36   | M8   | 12    | 10 | 12 | 10 |
| SRG3  | φ40           | 30    | 22    | 27      | 47    | M6深度12  | Rc1/8   | 19    | 20          | 25      | M14×1.5  | 78    | 12      | 10   | 44   | M10  | 16    | 14 | 13 | 12 |
|       | φ50           | 35    | 27    | 32      | 58    | M8深度16  | Rc1/4   | 22    | 25          | 30      | M18×1.5  | 90    | 13      | 12   | 55   | M12  | 20    | 17 | 15 | 12 |
| SRM3  | φ63           | 35    | 27    | 32      | 72    | M10深度16 | Rc1/4   | 22    | 25          | 32      | M18×1.5  | 90    | 13      | 12   | 69   | M14  | 20    | 17 | 15 | 12 |
| 記號    | 附防塵套          |       |       |         |       |         |         |       | 開關安裝方式：導軌方式 |         |          |       |         |      |      |      |       |    |    |    |
|       | SD            | T     | WF    | X       | XF    | b       | d       | s     | φ           | P       | GB       | HD    |         |      | RD   |      |       |    |    |    |
| SRT3  | φ20           | 14    | 5     | 17      | 106   | 30      | 30      | 25.7  | (行程/3)+18.5 | 19.5    | 23       | 3.0   | 6.5     | 8.5  | 7.5  | 7.5  | 9.5   |    |    |    |
| MRL2  | φ25           | 16.5  | 6     | 18      | 111   | 35      | 30      | 30.7  | (行程/3)+20.5 | 22      | 24.4     | 2.0   | 5.5     | 7.5  | 8.5  | 8.5  | 10.5  |    |    |    |
|       | φ32           | 20    | 6     | 18      | 113   | 40      | 31.5    | 35    | 37.7        | 25.5    | 25       | 3.0   | 6.5     | 8.5  | 9.5  | 9.5  | 11.5  |    |    |    |
| MRG2  | φ40           | 26    | 8     | 20      | 130   | 50      | 40      | 35    | 46.7        | 30      | 25.7     | 5.0   | 8.5     | 10.5 | 11.5 | 11.5 | 13.5  |    |    |    |
|       | φ50           | 32    | 11    | 23      | 150   | 58      | 46      | 40    | 57.7        | 35.5    | 26.2     | 7.5   | 11.0    | 13.0 | 13.0 | 13.0 | 15.0  |    |    |    |
| SM-25 | φ63           | 38    | 11    | 23      | 150   | 58      | 46      | 40    | 71.7        | 42.5    | 26.5     | 7.5   | 11.0    | 13.0 | 13.0 | 13.0 | 15.0  |    |    |    |
| 記號    | 開關安裝方式：綁帶方式   |       |       |         |       |         |         |       |             |         |          |       |         |      |      |      |       |    |    |    |
|       | GC            |       |       | GD      |       |         | HD      |       |             | RD      |          |       | P1      | P2   | P3   | Pθ   |       |    |    |    |
| 緩衝器   | φ20           | T0/T5 | T2/T3 | T2W/T3W | T0/T5 | T2/T3   | T2W/T3W | T0/T5 | T2/T3       | T2W/T3W | T0/T5    | T2/T3 | T2W/T3W |      |      |      |       |    |    |    |
| FJ    | φ20           | 3.5   | 3.5   | 5.5     | 2.5   | 2.5     | 4.5     | 6.5   | 6.5         | 8.5     | 7.5      | 7.5   | 9.5     | 19.6 | 21.5 | 14   | (38°) |    |    |    |
| FK    | φ25           | 4.5   | 4.5   | 6.5     | 1.5   | 1.5     | 3.5     | 5.5   | 5.5         | 7.5     | 8.5      | 8.5   | 10.5    | 22.1 | 23.9 | 14   | (34°) |    |    |    |
|       | φ32           | 5.5   | 5.5   | 7.5     | 2.5   | 2.5     | 4.5     | 6.5   | 6.5         | 8.5     | 9.5      | 9.5   | 11.5    | 25.6 | 27.6 | 16   | (30°) |    |    |    |
| 調速閥   | φ40           | 7.5   | 7.5   | 9.5     | 4.5   | 4.5     | 6.5     | 8.5   | 8.5         | 10.5    | 11.5     | 11.5  | 13.5    | 30.2 | 32.1 | 16   | (26°) |    |    |    |
|       | φ50           | 9.0   | 9.0   | 11.0    | 7.0   | 7.0     | 9.0     | 11.0  | 11.0        | 13.0    | 13.0     | 13.0  | 15.0    | 35.7 | 37.4 | 16   | (22°) |    |    |    |
|       | φ63           | 9.0   | 9.0   | 11.0    | 7.0   | 7.0     | 9.0     | 11.0  | 11.0        | 13.0    | 13.0     | 13.0  | 15.0    | 42.7 | 44.4 | 16   | (20°) |    |    |    |

※各安裝型式的安裝尺寸與SCM (複動型) 相同。請參閱第226~237頁。  
 ※附屬品的外形尺寸圖請參閱第238、239頁。

SCP※3

CMK2

CMA2

**SCM**

SCG

SCA2

SCS2

CKV2

CAV2・  
COVPIN2

SSD2

SSG

SSD

CAT

MDC2

MVC

SMG

MSD・  
MSDG

FC※

STK

SRL3

SRG3

SRM3

SRT3

MRL2

MRG2

SM-25

緩衝器

FJ

FK

調速閥

卷尾



微型氣缸  
複動、直接腳架型

# SCM-LD Series

● 氣缸內徑：φ 20、φ 25、φ 32、φ 40、φ 50、φ 63

JIS記號



## 規格

| 項目      | SCM-LD                  |                             |      |      |      |      |       |  |
|---------|-------------------------|-----------------------------|------|------|------|------|-------|--|
| 氣缸內徑    | mm                      | φ 20                        | φ 25 | φ 32 | φ 40 | φ 50 | φ 63  |  |
| 動作方式    | 複動、直接腳架型                |                             |      |      |      |      |       |  |
| 使用流體    | 壓縮空氣                    |                             |      |      |      |      |       |  |
| 最高使用壓力  | MPa                     | 1.0                         |      |      |      |      |       |  |
| 最低使用壓力  | MPa                     | 0.1                         |      |      |      |      | 0.05  |  |
| 耐壓力     | MPa                     | 1.6                         |      |      |      |      |       |  |
| 環境溫度    | °C                      | -10~60 (避免結凍)               |      |      |      |      |       |  |
| 連接口徑    |                         | Rc1/8                       |      |      |      |      | Rc1/4 |  |
| 行程容許差   | mm                      | +1.4                        |      |      |      |      | +2.3  |  |
|         |                         | 0                           |      |      |      |      | 0     |  |
| 使用活塞速度  | mm/s                    | 30~1000 (使用時不得超過吸收能量的容許範圍。) |      |      |      |      |       |  |
| 緩衝      | 橡膠緩衝                    |                             |      |      |      |      |       |  |
| 給油      | 不要 (給油時請使用渦輪機油ISO VG32) |                             |      |      |      |      |       |  |
| J容許吸收能量 | J                       | 0.1                         | 0.2  | 0.5  | 0.9  | 1.6  | 1.6   |  |

## 行程

| 氣缸內徑 (mm) | 標準行程 (mm)                              | 最大行程 (mm) | 最小行程 (mm) |
|-----------|--|-----------|-----------|
| φ 20      | 25、50、75<br>100、125、150<br>200、250、300 | 300       | 10        |
| φ 25      |  |           |           |
| φ 32      |  |           |           |
| φ 40      |  |           |           |
| φ 50      |  |           |           |
| φ 63      |  |           |           |

註1：中間行程的製作規格間距為1mm。

## 開關安裝數量及最小行程 (mm)

● 開關安裝方式：導軌方式

| 開關數量<br>氣缸內徑<br>(mm) | 1     |         |      |     | 2     |         |      |     | 3     |         |      |     | 4     |         |      |     | 5     |         |      |     |
|----------------------|-------|---------|------|-----|-------|---------|------|-----|-------|---------|------|-----|-------|---------|------|-----|-------|---------|------|-----|
|                      | 無接點   |         |      | 有接點 | 無接點   |         |      | 有接點 | 無接點   |         |      | 有接點 | 無接點   |         |      | 有接點 | 無接點   |         |      | 有接點 |
|                      | T2,T3 | T2W,T3W | T×Y× |     | T2,T3 | T2W,T3W | T×Y× |     | T2,T3 | T2W,T3W | T×Y× |     | T2,T3 | T2W,T3W | T×Y× |     | T2,T3 | T2W,T3W | T×Y× |     |
| φ 20                 | 10    |         |      |     | 25    |         |      |     | 50    | 70      | 70   | 55  | 55    | 70      | 70   | 55  | 75    | 110     | 110  | 90  |
| φ 25                 | 10    |         |      |     | 25    |         |      |     | 50    | 70      | 70   | 55  | 55    | 70      | 70   | 55  | 75    | 110     | 110  | 90  |
| φ 32                 | 10    |         |      |     | 25    |         |      |     | 50    | 70      | 70   | 55  | 55    | 70      | 70   | 55  | 75    | 110     | 110  | 90  |
| φ 40                 | 10    |         |      |     | 25    |         |      |     | 50    | 70      | 70   | 55  | 55    | 70      | 70   | 55  | 75    | 110     | 110  | 90  |
| φ 50                 | 10    |         |      |     | 25    |         |      |     | 50    | 65      | 65   | 55  | 55    | 65      | 65   | 55  | 75    | 110     | 110  | 90  |
| φ 63                 | 10    |         |      |     | 25    |         |      |     | 50    | 65      | 65   | 55  | 55    | 65      | 65   | 55  | 75    | 110     | 110  | 90  |

● 開關安裝方式：綁帶方式

| 開關數量<br>氣缸內徑<br>(mm) | 1     |         |      |     | 2     |         |      |     | 3     |         |      |     | 4     |         |      |     | 5     |         |      |     |
|----------------------|-------|---------|------|-----|-------|---------|------|-----|-------|---------|------|-----|-------|---------|------|-----|-------|---------|------|-----|
|                      | 無接點   |         |      | 有接點 | 無接點   |         |      | 有接點 | 無接點   |         |      | 有接點 | 無接點   |         |      | 有接點 | 無接點   |         |      | 有接點 |
|                      | T2,T3 | T2W,T3W | T×Y× |     | T2,T3 | T2W,T3W | T×Y× |     | T2,T3 | T2W,T3W | T×Y× |     | T2,T3 | T2W,T3W | T×Y× |     | T2,T3 | T2W,T3W | T×Y× |     |
| φ 20                 | 10    |         |      |     | 25    | 30      | 35   | 25  | 50    | 55      | 55   | 50  | 75    | 75      | 80   | 70  | 95    | 100     | 100  | 95  |
| φ 25                 | 10    |         |      |     | 25    | 30      | 35   | 25  | 50    | 55      | 55   | 50  | 75    | 75      | 80   | 70  | 95    | 100     | 100  | 95  |
| φ 32                 | 10    |         |      |     | 25    | 30      | 35   | 25  | 50    | 55      | 55   | 50  | 75    | 75      | 80   | 70  | 95    | 100     | 100  | 95  |
| φ 40                 | 10    |         |      |     | 25    | 30      | 35   | 25  | 50    | 55      | 55   | 50  | 75    | 75      | 80   | 70  | 95    | 100     | 100  | 95  |
| φ 50                 | 10    |         |      |     | 25    | 30      | 35   | 25  | 50    | 55      | 55   | 50  | 75    | 75      | 80   | 70  | 95    | 100     | 100  | 95  |
| φ 63                 | 10    |         |      |     | 25    | 30      | 35   | 25  | 50    | 55      | 55   | 50  | 75    | 75      | 80   | 70  | 95    | 100     | 100  | 95  |

註1：由於附1個開關且行程10mm以上未滿25mm的規格，其開關導軌安裝位置會改變，因此無法製作安裝型式耳軸型。另外，安裝位置請參閱第329頁。



開關規格

● 單色/雙色顯示方式

| 項目   | 無接點2線式                           |                       |                         |                         | 無接點3線式         |                      |                         |                         | 有接點2線式                  |            |                                |                | 無接點2線式       |                         |           |        |
|------|----------------------------------|-----------------------|-------------------------|-------------------------|----------------|----------------------|-------------------------|-------------------------|-------------------------|------------|--------------------------------|----------------|--------------|-------------------------|-----------|--------|
|      | T1H・T1V                          | T2H・T2V・<br>T2JH・T2JV | T2YH・<br>T2YV           | T2WH・<br>T2WV           | T3H・<br>T3V    | T3PH・T3PV<br>(接單生產)  | T3YH・<br>T3YV           | T3WH・<br>T3WV           | T0H・T0V                 | T5H・T5V    | T8H・T8V                        |                | T2YD         |                         |           |        |
| 用途   | 可程式控制器<br>繼電器、小型電磁開關             |                       | 可程式控制器專用                |                         | 可程式控制器、繼電器用    |                      |                         |                         | 可程式控制器、<br>繼電器用         |            | 可程式控制器、繼電器<br>IC選裝(無顯示燈)、串聯連接用 |                | 可程式<br>控制器專用 |                         |           |        |
| 輸出方式 | —                                |                       |                         |                         | NPN輸出          | PNP輸出                | NPN輸出                   | NPN輸出                   | —                       |            |                                |                |              |                         |           |        |
| 電源電壓 | —                                |                       |                         |                         | DC10~28V       |                      |                         |                         | —                       |            |                                |                |              |                         |           |        |
| 負載電壓 | AC85~265V                        | DC10~30V              | DC24V±10%               | DC30V以下                 |                |                      |                         | DC12/24V                | AC100/110V              | DC5/12/24V | AC100/110V                     | DC12/24V       | AC110V       | AC220V                  | DC24V±10% |        |
| 負載電流 | 5~100mA                          | 5~20mA (註2)           |                         |                         | 100mA以下        |                      | 50mA以下                  |                         | 5~50mA                  | 7~20mA     | 50mA以下                         | 20mA以下         | 5~50mA       | 7~20mA                  | 7~10mA    | 5~20mA |
| 顯示燈  | LED<br>(ON時亮燈)                   | LED<br>(ON時亮燈)        | 紅色/綠色<br>LED<br>(ON時亮燈) | 紅色/綠色<br>LED<br>(ON時亮燈) | LED<br>(ON時亮燈) | 黃色<br>LED<br>(ON時亮燈) | 紅色/綠色<br>LED<br>(ON時亮燈) | 紅色/綠色<br>LED<br>(ON時亮燈) | LED<br>(ON時亮燈)          | 無顯示燈       |                                | LED<br>(ON時亮燈) |              | 紅色/綠色<br>LED<br>(ON時亮燈) |           |        |
| 漏電電流 | AC100V時電流小於1mA<br>AC200V時電流小於2mA | 1mA以下                 |                         |                         | 10μA以下         |                      |                         |                         | 0mA                     |            |                                |                | 1mA以下        |                         |           |        |
| 重量 g | 1m : 33                          | 1m : 18               | 1m : 33                 | 1m : 18                 | 1m : 18        |                      | 1m : 33                 | 1m : 18                 | 1m : 18 3m : 49 5m : 80 |            |                                | 1m : 33        |              | 1m : 61                 |           |        |
|      | 3m : 87                          | 3m : 49               | 3m : 87                 | 3m : 49                 | 3m : 49        |                      | 3m : 87                 | 3m : 49                 | 3m : 49 5m : 80         |            |                                | 3m : 87        |              | 3m : 166                |           |        |
|      | 5m : 142                         | 5m : 80               | 5m : 142                | 5m : 80                 | 5m : 80        |                      | 5m : 142                | 5m : 80                 | 5m : 80                 |            |                                | 5m : 142       |              | 5m : 272                |           |        |

註1：其他開關規格，請參閱卷尾第1頁。

註2：上述負載電流的最大值：20mA為溫度25°C時的數值。開關使用環境溫度若高於25°C，電流將降至低於20mA。  
(溫度到達60°C時，則電流為5~10mA。)

註3：T0/T5開關也可使用AC220V。關於使用條件，請洽詢本公司。

註4：交流磁場用開關(T2YD)於直流磁場環境下無法使用。

註5：外形尺寸視開關型號而異。詳細內容請參閱卷尾第18頁。

氣缸重量

(單位：kg)

| 項目、安裝型式  | 行程(S)=0mm時的產品重量 | 開關重量<br>(每1個)          | S=10 mm時<br>的累計重量 | S=10mm時的累計<br>重量(附導軌) | 1個開關的<br>綁帶重量 |
|----------|-----------------|------------------------|-------------------|-----------------------|---------------|
| 氣缸內徑(mm) | 基本型             | 請參閱開關<br>規格內記載<br>的重量。 |                   |                       |               |
| φ 20     | 0.14            |                        | 0.010             | 0.012                 | 0.007         |
| φ 25     | 0.22            |                        | 0.014             | 0.016                 | 0.007         |
| φ 32     | 0.34            |                        | 0.018             | 0.020                 | 0.007         |
| φ 40     | 0.56            |                        | 0.030             | 0.032                 | 0.007         |
| φ 50     | 1.04            |                        | 0.044             | 0.046                 | 0.008         |
| φ 63     | 1.46            | 0.052                  | 0.054             | 0.009                 |               |

(範例) SCM-LD-40D-100-T2H-D的產品重量

S=0mm時的產品重量……………0.56kg  
 S=100mm時的累計重量…………… $0.032 \times \frac{100}{10} = 0.32\text{kg}$   
 2個開關的重量……………0.036kg  
 產品重量…………… $0.56\text{kg} + 0.32\text{kg} + 0.036\text{kg} = 0.916\text{kg}$

理論推力表

(單位：N)

| 氣缸內徑<br>(mm) | 動作方向 | 使用壓力 MPa           |                    |                    |                    |                    |                    |                    |                    |                    |                    |                    |
|--------------|------|--------------------|--------------------|--------------------|--------------------|--------------------|--------------------|--------------------|--------------------|--------------------|--------------------|--------------------|
|              |      | 0.1                | 0.15               | 0.2                | 0.3                | 0.4                | 0.5                | 0.6                | 0.7                | 0.8                | 0.9                | 1.0                |
| φ 20         | Push | 31.4               | 47.1               | 62.8               | 94.2               | $1.26 \times 10^2$ | $1.57 \times 10^2$ | $1.88 \times 10^2$ | $2.20 \times 10^2$ | $2.51 \times 10^2$ | $2.83 \times 10^2$ | $3.14 \times 10^2$ |
|              | Pull | 26.4               | 39.6               | 52.8               | 79.2               | $1.06 \times 10^2$ | $1.32 \times 10^2$ | $1.58 \times 10^2$ | $1.85 \times 10^2$ | $2.11 \times 10^2$ | $2.38 \times 10^2$ | $2.64 \times 10^2$ |
| φ 25         | Push | 49.1               | 73.6               | 98.2               | $1.47 \times 10^2$ | $1.96 \times 10^2$ | $2.45 \times 10^2$ | $2.95 \times 10^2$ | $3.44 \times 10^2$ | $3.93 \times 10^2$ | $4.42 \times 10^2$ | $4.91 \times 10^2$ |
|              | Pull | 41.2               | 61.9               | 82.5               | $1.24 \times 10^2$ | $1.65 \times 10^2$ | $2.06 \times 10^2$ | $2.47 \times 10^2$ | $2.89 \times 10^2$ | $3.30 \times 10^2$ | $3.71 \times 10^2$ | $4.12 \times 10^2$ |
| φ 32         | Push | 80.4               | $1.21 \times 10^2$ | $1.61 \times 10^2$ | $2.41 \times 10^2$ | $3.22 \times 10^2$ | $4.02 \times 10^2$ | $4.83 \times 10^2$ | $5.63 \times 10^2$ | $6.43 \times 10^2$ | $7.24 \times 10^2$ | $8.04 \times 10^2$ |
|              | Pull | 69.1               | $1.04 \times 10^2$ | $1.38 \times 10^2$ | $2.07 \times 10^2$ | $2.76 \times 10^2$ | $3.46 \times 10^2$ | $4.15 \times 10^2$ | $4.84 \times 10^2$ | $5.53 \times 10^2$ | $6.22 \times 10^2$ | $6.91 \times 10^2$ |
| φ 40         | Push | $1.26 \times 10^2$ | $1.88 \times 10^2$ | $2.51 \times 10^2$ | $3.77 \times 10^2$ | $5.03 \times 10^2$ | $6.28 \times 10^2$ | $7.54 \times 10^2$ | $8.80 \times 10^2$ | $1.01 \times 10^3$ | $1.13 \times 10^3$ | $1.26 \times 10^3$ |
|              | Pull | $1.06 \times 10^2$ | $1.58 \times 10^2$ | $2.11 \times 10^2$ | $3.17 \times 10^2$ | $4.22 \times 10^2$ | $5.28 \times 10^2$ | $6.33 \times 10^2$ | $7.39 \times 10^2$ | $8.44 \times 10^2$ | $9.50 \times 10^2$ | $1.06 \times 10^3$ |
| φ 50         | Push | $1.96 \times 10^2$ | $2.95 \times 10^2$ | $3.93 \times 10^2$ | $5.89 \times 10^2$ | $7.85 \times 10^2$ | $9.82 \times 10^2$ | $1.18 \times 10^3$ | $1.37 \times 10^3$ | $1.57 \times 10^3$ | $1.77 \times 10^3$ | $1.96 \times 10^3$ |
|              | Pull | $1.65 \times 10^2$ | $2.47 \times 10^2$ | $3.30 \times 10^2$ | $4.95 \times 10^2$ | $6.60 \times 10^2$ | $8.25 \times 10^2$ | $9.90 \times 10^2$ | $1.15 \times 10^3$ | $1.32 \times 10^3$ | $1.48 \times 10^3$ | $1.65 \times 10^3$ |
| φ 63         | Push | $3.12 \times 10^2$ | $4.68 \times 10^2$ | $6.23 \times 10^2$ | $9.35 \times 10^2$ | $1.25 \times 10^3$ | $1.56 \times 10^3$ | $1.87 \times 10^3$ | $2.18 \times 10^3$ | $2.49 \times 10^3$ | $2.81 \times 10^3$ | $3.12 \times 10^3$ |
|              | Pull | $2.80 \times 10^2$ | $4.20 \times 10^2$ | $5.61 \times 10^2$ | $8.41 \times 10^2$ | $1.12 \times 10^3$ | $1.40 \times 10^3$ | $1.68 \times 10^3$ | $1.96 \times 10^3$ | $2.24 \times 10^3$ | $2.52 \times 10^3$ | $2.80 \times 10^3$ |

## 型號標示方法

無開關（內置開關用磁鐵）

SCM-LD - 40 - D - 100 - M I

附開關（內置開關用磁鐵）

SCM-LD - 40 - D - 100 - T0H - D - M I

A 安裝型式

B 氣缸內徑

C 配管螺牙種類

D 緩衝

E 行程

F 開關型號

註2  
註3

G 開關數量

H 開關安裝方式

I 選購品  
註5

J 附屬品  
註6

### 選定型號時的注意事項

註1：關於附開關最小行程，請參閱第324頁。

註2：除了F所示的開關型號外，亦備有其他開關可供選擇。（接單生產）  
詳細內容請參閱卷尾第1頁。

註3：若氣缸內徑為φ20~φ40且開關安裝方式採導軌方式，將無法配置T8H/V開關。

註4：有關活塞桿前端外形製作規格，請參閱卷尾第85頁。

註5：開關安裝方式若選定「Z」，將無法選定添附開關導軌出貨「Q」之選項。

註6：無法同時選定「I」和「Y」。

註7：開關將添附於產品內一併出貨。如需組裝產品後出貨，請洽詢本公司。

### 〈型號標示範例〉

#### SCM-LD-40D-100-T0H-D-MI

機型：微型氣缸 複動、直接腳架型

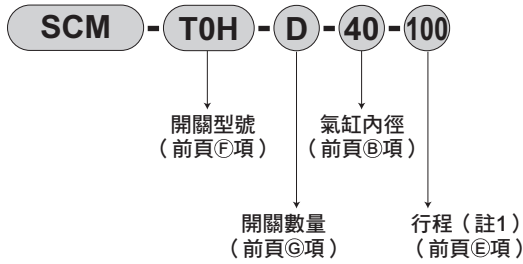
- A 安裝型式：直接腳架型
- B 氣缸內徑：φ40mm
- C 配管螺牙種類：Rc螺牙
- D 緩衝：附兩側橡膠緩衝
- E 行程：100mm
- F 開關型號：有接點T0H開關、導線1m
- G 開關數量：附2個
- H 開關安裝方式：導軌方式
- I 選購品：活塞桿材質（不鏽鋼）
- J 附屬品：一山關節

| 記號                 | 內容                  |         |    |                 |              |    |
|--------------------|---------------------|---------|----|-----------------|--------------|----|
| <b>A 安裝型式</b>      |                     |         |    |                 |              |    |
| LD                 | 直接腳架型               |         |    |                 |              |    |
| <b>B 氣缸內徑 (mm)</b> |                     |         |    |                 |              |    |
| 20                 | φ20                 |         |    |                 |              |    |
| 25                 | φ25                 |         |    |                 |              |    |
| 32                 | φ32                 |         |    |                 |              |    |
| 40                 | φ40                 |         |    |                 |              |    |
| 50                 | φ50                 |         |    |                 |              |    |
| 63                 | φ63                 |         |    |                 |              |    |
| <b>C 配管螺牙種類</b>    |                     |         |    |                 |              |    |
| 無記號                | Rc螺牙                |         |    |                 |              |    |
| N                  | NPT螺牙（接單生產）         |         |    |                 |              |    |
| G                  | G螺牙（接單生產）           |         |    |                 |              |    |
| <b>D 緩衝</b>        |                     |         |    |                 |              |    |
| D                  | 附兩側橡膠緩衝             |         |    |                 |              |    |
| <b>E 行程 (mm)</b>   |                     |         |    |                 |              |    |
| 氣缸內徑               | 行程註1                | 中間行程    |    |                 |              |    |
| φ20~φ63            | 10~300              | 以1mm為單位 |    |                 |              |    |
| <b>F 開關型號</b>      |                     |         |    |                 |              |    |
| 導線直型               | 導線L型                | 接點      | 電壓 |                 | 顯示           | 導線 |
|                    |                     |         | AC | DC              |              |    |
| T0H※               | T0V※                | 有接點     | ●  | ●               | 單色顯示方式       | 2線 |
| T5H※               | T5V※                |         | ●  | ●               | 無顯示燈         |    |
| T8H※               | T8V※                |         | ●  | ●               | 單色顯示方式       |    |
| T1H※               | T1V※                | 無接點     | ●  |                 | 單色顯示方式       | 2線 |
| T2H※               | T2V※                |         |    | ●               |              |    |
| T3H※               | T3V※                |         |    | ●               | 單色顯示方式（接單生產） | 3線 |
| T3PH※              | T3PV※               |         |    | ●               |              |    |
| T2WH※              | T2WV※               |         |    | ●               | 雙色顯示方式       | 2線 |
| T2YH※              | T2YV※               |         |    | ●               |              |    |
| T3WH※              | T3WV※               |         | ●  |                 |              |    |
| T3YH※              | T3YV※               |         | ●  | 雙色顯示方式<br>交流磁場用 | 2線           |    |
| T2YD※              | -                   |         | ●  |                 |              |    |
| T2YDT※             | -                   |         | ●  | 單色顯示方式斷電延遲型     | 2線           |    |
| T2JH※              | T2JV※               |         | ●  |                 |              |    |
| <b>※導線長度</b>       |                     |         |    |                 |              |    |
| 無記號                | 1m（標準）              |         |    |                 |              |    |
| 3                  | 3m（選購品）             |         |    |                 |              |    |
| 5                  | 5m（選購品）             |         |    |                 |              |    |
| <b>G 開關數量</b>      |                     |         |    |                 |              |    |
| R                  | 活塞桿側附1個             |         |    |                 |              |    |
| H                  | 頭蓋側附1個              |         |    |                 |              |    |
| D                  | 附2個                 |         |    |                 |              |    |
| T                  | 附3個                 |         |    |                 |              |    |
| 4                  | 附4個（如為4個以上，則加入開關數量） |         |    |                 |              |    |
| <b>H 開關安裝方式</b>    |                     |         |    |                 |              |    |
| 無記號                | 導軌方式                |         |    |                 |              |    |
| Z                  | 綁帶方式                |         |    |                 |              |    |
| <b>I 選購品</b>       |                     |         |    |                 |              |    |
| Q                  | 開關導軌添附出貨            |         |    |                 |              |    |
| M                  | 活塞桿材質（不鏽鋼）          |         |    |                 |              |    |
| P6                 | 銅離子防止處理（接單生產）       |         |    |                 |              |    |
| <b>J 附屬品</b>       |                     |         |    |                 |              |    |
| I                  | 一山關節                |         |    |                 |              |    |
| Y                  | 二山關節（添附插銷及止環）       |         |    |                 |              |    |

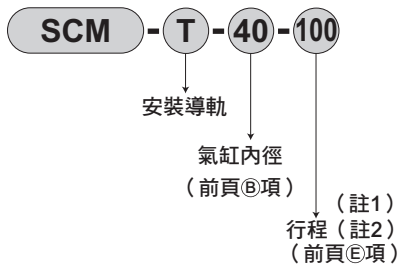
## 開關單品型號標示方法

〈開關安裝方式：導軌方式〉

- 開關本體+安裝導軌一式



- 僅安裝導軌

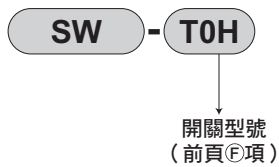


註1：行程超出300mm者請標示X。

行程超出300mm時，每一個開關將附有1支短導軌（開關調整移動距離為100mm）。

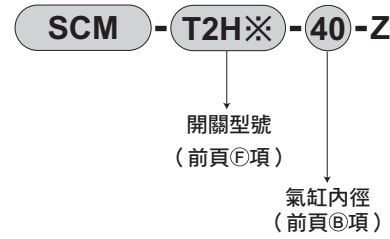
註2：僅安裝導軌且標示為X時，請依照所使用的開關數量訂購相同數量的導軌。

〈僅開關本體〉



〈開關安裝方式：綁帶方式〉

- 開關本體+安裝固定架一式+綁帶



- 安裝固定架一式+綁帶



## 內部結構圖

與標準型相同。請參閱第222頁。

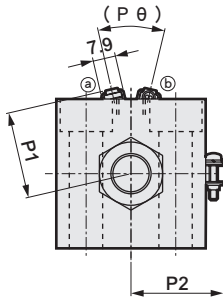
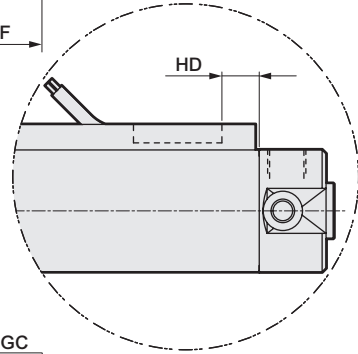
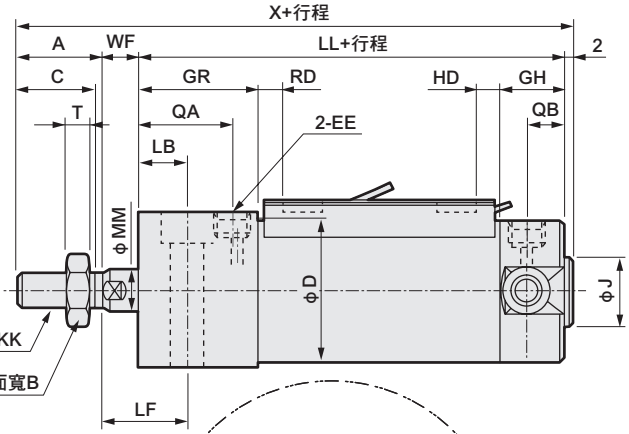
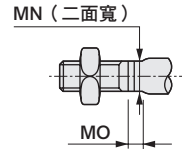
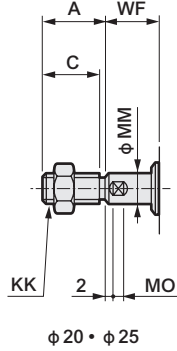
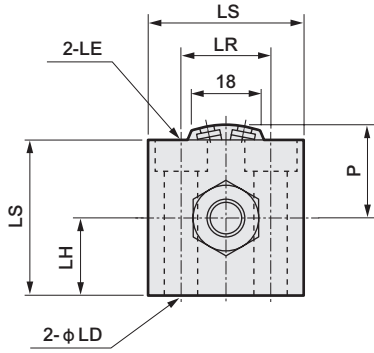
|               |
|---------------|
| SCP※3         |
| CMK2          |
| CMA2          |
| <b>SCM</b>    |
| SCG           |
| SCA2          |
| SCS2          |
| CKV2          |
| CAV2・COV/PIN2 |
| SSD2          |
| SSG           |
| SSD           |
| CAT           |
| MDC2          |
| MVC           |
| SMG           |
| MSD・MSDG      |
| FC※           |
| STK           |
| SRL3          |
| SRG3          |
| SRM3          |
| SRT3          |
| MRL2          |
| MRG2          |
| SM-25         |
| 緩衝器           |
| FJ            |
| FK            |
| 調速閥           |
| 卷尾            |

## 外形尺寸圖

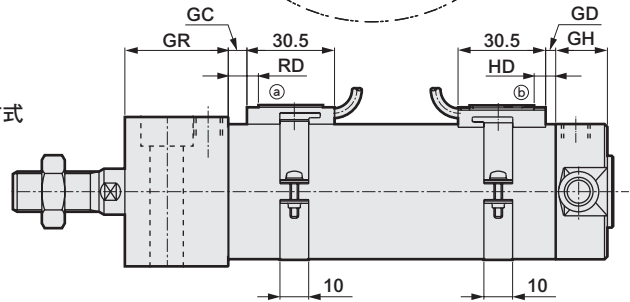


● 複動、直接腳架型

● 開關安裝方式：導軌方式



● 開關安裝方式：綁帶方式



註1：雙色顯示方式、斷電延遲式、交流磁場用、T1H/V、T8H/V開關的RD、HD、突出尺寸等，請參閱第329頁。

| 記號    | 基本型 (00) 基本尺寸 |    |    |      |    |       |    |    |    |          |     |    |    |     |    |    |    |    |     |    |     |              |    |    |    |
|-------|---------------|----|----|------|----|-------|----|----|----|----------|-----|----|----|-----|----|----|----|----|-----|----|-----|--------------|----|----|----|
|       | 氣缸內徑 (mm)     | A  | B  | C    | D  | EE    | GH | GR | J  | KK       | LL  | MM | MN | MO  | QA | QB | T  | WF | X   | LB | LD  | LE           | LF | LH | LR |
| SRM3  | φ20           | 18 | 13 | 15.5 | 26 | Rc1/8 | 17 | 27 | 12 | M8       | 77  | 8  | 6  | 4   | 20 | 10 | 5  | 9  | 106 | 11 | 5.5 | 9.5沉孔深度5.4   | 20 | 15 | 18 |
| SRT3  | φ25           | 22 | 17 | 19.5 | 31 | Rc1/8 | 17 | 27 | 14 | M10×1.25 | 77  | 10 | 8  | 5   | 20 | 10 | 6  | 10 | 111 | 12 | 6.6 | 11沉孔深度6.5    | 22 | 18 | 22 |
| MRL2  | φ32           | 22 | 17 | 19.5 | 38 | Rc1/8 | 17 | 32 | 18 | M10×1.25 | 84  | 12 | 10 | 5.5 | 25 | 10 | 6  | 10 | 118 | 13 | 9   | 14沉孔深度8.6    | 23 | 21 | 24 |
| MRG2  | φ40           | 30 | 22 | 27   | 47 | Rc1/8 | 19 | 36 | 25 | M14×1.5  | 94  | 16 | 14 | 6   | 29 | 12 | 8  | 9  | 135 | 16 | 11  | 17.5沉孔深度10.8 | 25 | 26 | 32 |
| SM-25 | φ50           | 35 | 27 | 32   | 58 | Rc1/4 | 22 | 43 | 30 | M18×1.5  | 108 | 20 | 17 | 8   | 33 | 12 | 11 | 10 | 155 | 17 | 14  | 20沉孔深度13     | 27 | 32 | 41 |
|       | φ63           | 35 | 27 | 32   | 72 | Rc1/4 | 22 | 48 | 32 | M18×1.5  | 113 | 20 | 17 | 8   | 38 | 12 | 11 | 10 | 160 | 19 | 18  | 26沉孔深度17.5   | 29 | 38 | 46 |

| 記號  | 氣缸內徑 (mm) | 開關安裝方式：導軌方式 |      |       |       |         |       |       |         |       |       |         | 開關安裝方式：綁帶方式 |       |         |       |       |         |      |      |      |      |      |    |       |
|-----|-----------|-------------|------|-------|-------|---------|-------|-------|---------|-------|-------|---------|-------------|-------|---------|-------|-------|---------|------|------|------|------|------|----|-------|
|     |           | LS          | P    | HD    |       |         | RD    |       |         | GC    |       |         | GD          |       |         | HD    |       |         | RD   |      |      | P1   | P2   | P3 | Pθ    |
|     |           |             |      | T0/T5 | T2/T3 | T2W/T3W | T0/T5 | T2/T3 | T2W/T3W | T0/T5 | T2,T3 | T2W/T3W | T0/T5       | T2,T3 | T2W/T3W | T0/T5 | T2,T3 | T2W/T3W |      |      |      |      |      |    |       |
| FJ  | φ20       | 30          | 19.5 | 3.0   | 6.5   | 8.5     | 7.5   | 7.5   | 9.5     | 3.5   | 3.5   | 5.5     | 2.5         | 2.5   | 4.5     | 6.5   | 6.5   | 8.5     | 7.5  | 7.5  | 9.5  | 19.6 | 21.5 | 14 | (38°) |
|     | φ25       | 36          | 22   | 2.0   | 5.5   | 7.5     | 8.5   | 8.5   | 10.5    | 4.5   | 4.5   | 6.5     | 1.5         | 1.5   | 3.5     | 5.5   | 5.5   | 7.5     | 8.5  | 8.5  | 10.5 | 22.1 | 23.9 | 14 | (34°) |
| FK  | φ32       | 42          | 25.5 | 3.0   | 6.5   | 8.5     | 9.5   | 9.5   | 11.5    | 5.5   | 5.5   | 7.5     | 2.5         | 2.5   | 4.5     | 6.5   | 6.5   | 8.5     | 9.5  | 9.5  | 11.5 | 25.6 | 27.6 | 16 | (30°) |
|     | φ40       | 52          | 30   | 5.0   | 8.5   | 10.5    | 11.5  | 11.5  | 13.5    | 7.5   | 7.5   | 9.5     | 4.5         | 4.5   | 6.5     | 8.5   | 8.5   | 10.5    | 11.5 | 11.5 | 13.5 | 30.2 | 32.1 | 16 | (26°) |
| 調速閥 | φ50       | 64          | 35.5 | 7.5   | 11.0  | 13.0    | 13.0  | 13.0  | 15.0    | 9.0   | 9.0   | 11.0    | 7.0         | 7.0   | 9.0     | 11.0  | 11.0  | 13.0    | 13.0 | 13.0 | 15.0 | 35.7 | 37.4 | 16 | (22°) |
|     | φ63       | 76          | 42.5 | 7.5   | 11.0  | 13.0    | 13.0  | 13.0  | 15.0    | 9.0   | 9.0   | 11.0    | 7.0         | 7.0   | 9.0     | 11.0  | 11.0  | 13.0    | 13.0 | 13.0 | 15.0 | 42.7 | 44.4 | 16 | (20°) |

※附屬品的外形尺寸圖請參閱第238、239頁。

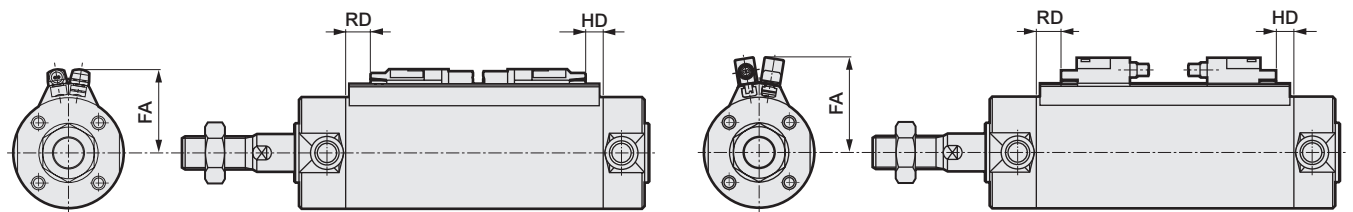
## 開關導軌安裝位置說明（行程10以上、未滿25，且有1個開關時的導軌安裝位置）

1. 開關導軌應安裝於標準位置傾倒90°的位置。
2. 由於開關導軌與固定架會互相干擾，因此無法製作安裝型式耳軸型。
3. 產品系列B、W有單側行程為10以上、未滿25，並搭配另一個行程25以上的產品使用時，氣缸1、2的開關導軌安裝位置均如上圖，位於旋轉90°的位置。

## 開關安裝方式：導軌方式 雙色顯示方式 交流磁場用、OFF延遲、T1<sup>H/V</sup>、T8<sup>H/V</sup> 開關安裝、突出尺寸圖

● SCM-※ T2Y<sup>H/V</sup>、T3Y<sup>H/V</sup>、T2J<sup>H/V</sup>、T8<sup>H/V</sup>

● SCM-※ T2YD※、T1<sup>H/V</sup>

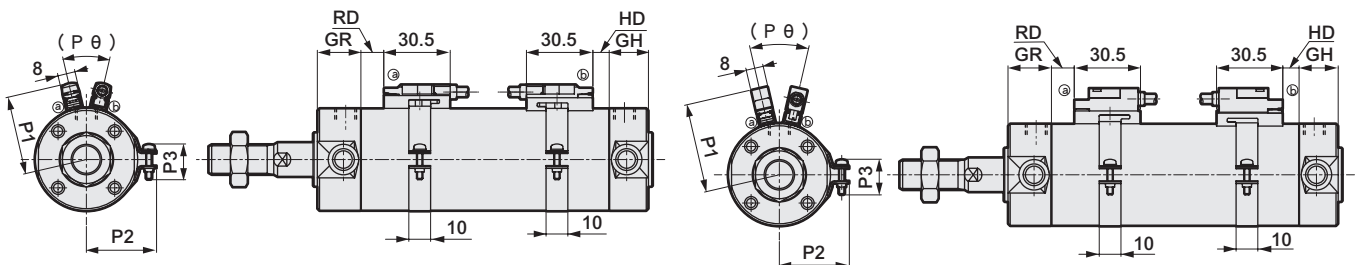


| 氣缸內徑<br>(mm) | FA               |                  |           |      | RD                            |       |                               | HD    |  |
|--------------|------------------|------------------|-----------|------|-------------------------------|-------|-------------------------------|-------|--|
|              | T※YH、T8H<br>T2JH | T※YV、T8V<br>T2JV | T2YD※、T1H | T1V  | T※YH/V、T1H/V、<br>T2JH/V、T2YD※ | T8H/V | T※YH/V、T1H/V、<br>T2JH/V、T2YD※ | T8H/V |  |
| φ20          | 24               | 27               | 29.5      | 32.5 | 6.5                           | 1.5   | 5.5                           | 0.5   |  |
| φ25          | 26.5             | 29.5             | 32        | 35   | 7.5                           | 2.5   | 4.5                           | 0     |  |
| φ32          | 30               | 33               | 35.5      | 38.5 | 8.5                           | 3.5   | 5.5                           | 0.5   |  |
| φ40          | 34.5             | 37.5             | 40        | 43   | 10.5                          | 5.5   | 7.5                           | 2.5   |  |
| φ50          | 40               | 43               | 45.5      | 48.5 | 12                            | 7     | 10                            | 5     |  |
| φ63          | 47               | 50               | 52.5      | 55.5 | 12                            | 7     | 10                            | 5     |  |
| φ80          | 55.5             | 58.5             | 61        | 64   | 19                            | 14    | 12                            | 7     |  |
| φ100         | 66               | 69               | 71.5      | 74.5 | 18.5                          | 13.5  | 12.5                          | 7.5   |  |

## 開關安裝方式：綁帶方式 雙色顯示方式 開關安裝、交流磁場用、OFF延遲、T1<sup>H/V</sup>、T8<sup>H/V</sup>突出尺寸圖

● SCM-※ T2Y<sup>H/V</sup>、T3Y<sup>H/V</sup>、T2Y<sup>H/V</sup>、T8<sup>H/V</sup>

● SCM-※ T2YD※、T1<sup>H/V</sup>



| 氣缸內徑<br>(mm) | P1               |                  |           |      | RD                            |       |                               | HD    |  |
|--------------|------------------|------------------|-----------|------|-------------------------------|-------|-------------------------------|-------|--|
|              | T※YH、T8H<br>T2JH | T※YV、T8V<br>T2JV | T2YD※、T1H | T1V  | T※YH/V、T1H/V、<br>T2JH/V、T2YD※ | T8H/V | T※YH/V、T1H/V、<br>T2JH/V、T2YD※ | T8H/V |  |
| φ20          | 25.4             | 28.4             | 30.4      | 33.4 | 6.5                           | 1.5   | 5.5                           | 0.5   |  |
| φ25          | 27.9             | 30.9             | 32.9      | 35.9 | 7.5                           | 2.5   | 4.5                           | 0     |  |
| φ32          | 31.4             | 34.4             | 36.4      | 39.4 | 8.5                           | 3.5   | 5.5                           | 0.5   |  |
| φ40          | 36               | 39               | 41        | 44   | 10.5                          | 5.5   | 7.5                           | 2.5   |  |
| φ50          | 41.5             | 44.5             | 46.5      | 49.5 | 12                            | 7     | 10                            | 5     |  |
| φ63          | 48.5             | 51.5             | 53.5      | 56.5 | 12                            | 7     | 10                            | 5     |  |
| φ80          | 57               | 60               | 62        | 65   | 19                            | 14    | 12                            | 7     |  |
| φ100         | 67.5             | 70.5             | 72.5      | 75.5 | 18.5                          | 13.5  | 12.5                          | 7.5   |  |

SCP※3  
CMK2  
CMA2  
SCM  
SCG  
SCA2  
SCS2  
CKV2  
CAV2・COVPI※2  
SSD2  
SSG  
SSD  
CAT  
MDC2  
MVC  
SMG  
MSD・MSDG  
FC※  
STK  
SRL3  
SRG3  
SRM3  
SRT3  
MRL2  
MRG2  
SM-25  
緩衝器  
FJ  
FK  
調速閥  
卷尾



# 空壓元件 產品安全使用守則

使用前請務必詳閱本守則。

一般氣缸的注意事項，請參閱卷首第73頁；氣缸開關請參閱卷首第80頁。

個別注意事項：微型氣缸 SCM系列

## 設計、選定時

### 1. 共用

#### ⚠ 注意

- 安裝於氣缸內的緩衝機構有橡膠緩衝型與空氣緩衝型兩種。空氣緩衝的目的，是利用空氣的壓縮性來吸收活塞具有的運動能量，讓活塞與護蓋不至於在行程終端發生衝擊。因此，緩衝機構並非是為了在接近行程終端處讓活塞以低速進行動作（減速動作）而設。另外，緩衝可吸收的運動能量如下所示。如為超過此值之運動能量時或想避開因空氣壓縮性所產生之反彈力道時，請另外設置緩衝裝置。

| 氣缸內徑<br>(mm) | 橡膠緩衝        |                | 空氣緩衝        |             |
|--------------|-------------|----------------|-------------|-------------|
|              | 容許吸收能量<br>J | 緩衝有效長度<br>(mm) | 容許吸收能量<br>J | 容許吸收能量<br>J |
| φ 20         | 0.1         | 8.1            | 0.8         |             |
| φ 25         | 0.2         | 8.1            | 1.2         |             |
| φ 32         | 0.5         | 8.6            | 2.5         |             |
| φ 40         | 0.9         | 8.6            | 3.7         |             |
| φ 50         | 1.6         | 13.4           | 8.0         |             |
| φ 63         | 1.6         | 13.4           | 14.4        |             |
| φ 80         | 3.3         | 15.4           | 25.4        |             |
| φ 100        | 5.8         | 15.4           | 45.6        |             |

運動能量 (J) =

$$\frac{1}{2} \times \text{重量 (kg)} \times \{ \text{速度 (m/s)} \}^2$$

(註) 運動能量的計算方法

利用  $V_a = \frac{L}{T}$  來算出氣缸的平均速度。

$V_a$  : 平均速度 (m/s)  
 $L$  : 氣缸行程 (m)  
 $T$  : 動作時間 (s)

因此，可利用下列簡易公式來計算緩衝衝擊最高速度前的氣缸速度。

$$V_m = \frac{L}{T} \times \left( 1 + 1.5 \times \frac{\omega}{100} \right)$$

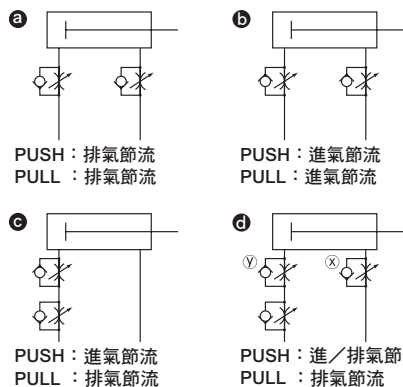
$V_m$  : 行程端速度 (m/s)  
 $\omega$  : 氣缸負載率 (%)

計算動能時，請以  $V_m$  值作為速度。

### 2. 微速型SCM-F

#### ⚠ 注意

- 請在無給油情況下使用。  
否則，恐將造成特性改變。
- 調速閥需組裝於氣缸附近。  
組裝位置若距離氣缸位置過遠，將造成速度不穩定。請使用 SC-M3/M5、SC3W、SCD-M3/M5、SC3U 系列之調速閥。
- 一般來說，空壓愈高，負載率愈低，速度也就會愈穩定。  
使用時負載率需低於50%。
- 利用排氣節流迴路來控制速度，以提高穩定度。  
當單側活塞桿氣缸的動作方向在 PUSH 狀態下會以微速驅動，這時候只要負載阻力變小，就會在開始動作時出現飛出現象。解決對策就是改用 **b**、**c**、**d** 迴路。此外，**d** 迴路最為穩定。

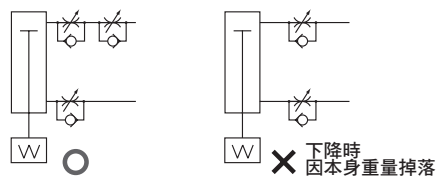


**d** 迴路發生 PUSH 動作時之調整速度方法：

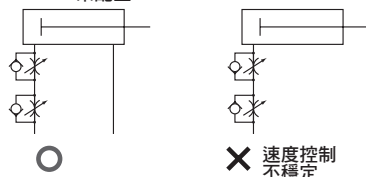
1. 使用 x 調速閥設定速度
2. 使用 y 調速閥進行調整直到不會飛出為止。
3. 再次確認速度

(註1) 相較於 **b** **c** **d**，**d** 迴路的動作最穩定。

(註2) 垂直安裝時，在進氣節流迴路上會因本身重量而掉落，因此請搭配排氣節流迴路使用。



(註3) 將調速閥串聯連接時，需依照下圖所示的迴路來配置。





## 設計、選定時

(發生飛出現象之基準)  
下列情況會導致飛出現象發生。  
• 推力 > 阻力

※阻力：排氣側殘壓所產生的推力 +  $\left\{ \begin{array}{l} \text{水平使用時：負載所產生的摩擦力} \\ \text{垂直使用時：負載本身重量} \end{array} \right.$   
(微速型的吸氣壓=殘壓)

- 請避免對氣缸施加水平負載。  
在被施加了水平負載的狀態下，將使動作變得不穩定。
- 請避免在可能出現振動的場所使用。  
振動將造成動作不穩定。

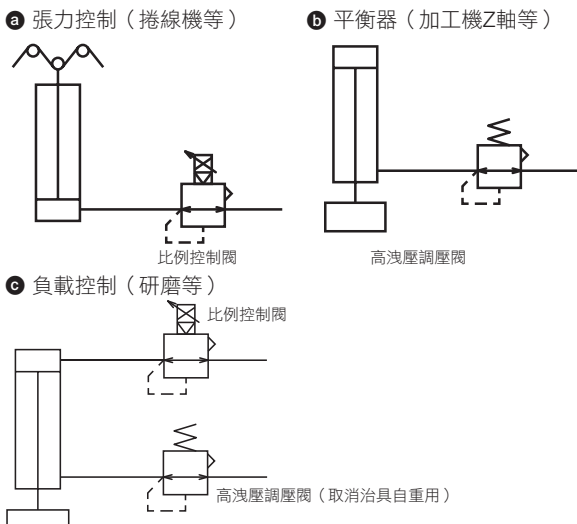
### 3.低摩擦型 SCM-U

#### 警告

- 耐久性依使用條件及機種特性而異。  
本產品屬於內部會發生洩漏之氣缸。  
如欲瞭解洩漏量規格，請參閱(第286頁)。

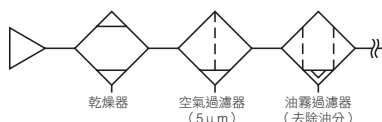
#### 注意

- 請在氣缸上安裝調速閥。  
請在氣缸上安裝調速閥。  
使用氣缸時，不得超過活塞所適用之速度範圍。  
但使用平衡器等時，為了增進供排氣效率，不需裝上調速閥。  
建議您依照不同用途，選擇下述適用之 a~c 迴路。



※請盡量提高配管容積，以提升供排氣特性。

- 請勿給油。否則其特性會變動。
- 空氣品質不佳，將造成特性惡化，並對耐久性造成不良影響，因此請依照下述方法配管，並使用清淨空氣。

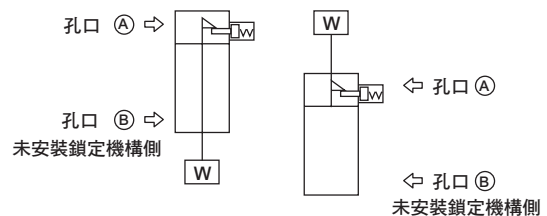


- 調速閥需組裝於氣缸附近。  
一旦組裝於距離氣缸較遠的位置，將造成調整品質不穩定。
- 一般來說，空氣壓力愈高，負載率愈低，速度就會愈穩定。  
使用時負載率需低於50%。

### 4.防掉落型 SCM-Q

#### 警告

- 在鎖定及兩側孔口無加壓狀態下，對孔口Ⓐ供應壓力，將造成無法解除鎖定，或是因為鎖定突然解除而造成活塞桿飛出等危險。解除鎖定機構時，請務必對孔口Ⓑ供應壓力，將鎖定機構從無負載的狀態解除。



- 利用急速排氣閥來提高下降速度時，氣缸本體將比鎖定銷更早啟動，因而無法依正常程序解除。防掉落型氣缸不得使用急速排氣閥。

- 請勿使用3位置閥。

禁止搭配3位置(尤其是中央密閉金屬密封型)閥使用。對附鎖定機構側的孔口封入壓力後，便無法鎖定。此外，若鎖定時，電磁閥所洩漏的空氣進入氣缸的情形持續一段時間後，將造成鎖定被解除的情形。

#### 注意

- 氣缸負載率需低於50%。  
負載率愈高，可能會出現鎖定動作無法解除，甚至造成鎖定部位損壞等情形。
- 一旦對鎖定機構施加背壓，將造成鎖定解除，因此電磁閥需選擇單體或連座型個別排氣型等產品。
- 請勿將多個氣缸同步使用。  
請勿採用2個以上的防掉落型氣缸同步來移動同1個工件的方法。否則有可能會造成其中一個氣缸無法解除鎖定動作。

|               |
|---------------|
| SCP※3         |
| CMK2          |
| CMA2          |
| SCM           |
| SCG           |
| SCA2          |
| SCS2          |
| CKV2          |
| CAV2・COV/PIN2 |
| SSD2          |
| SSG           |
| SSD           |
| CAT           |
| MDC2          |
| MVC           |
| SMG           |
| MSD・MSDG      |
| FC※           |
| STK           |
| SRL3          |
| SRG3          |
| SRM3          |
| SRT3          |
| MRL2          |
| MRG2          |
| SM-25         |
| 緩衝器           |
| FJ            |
| FK            |
| 調速閥           |
| 卷尾            |

## 安裝、固定、調整時

### 1. 共用

#### ⚠ 注意

- 由於開關導軌是以工業用膠帶黏合，因此請勿在空氣中飄散無機、有機溶劑及水蒸氣的環境下使用，否則可能導致導軌剝離。

主要無機、有機溶劑

無機溶劑：氫氧化鈉、鹽酸etc

有機溶劑：甲苯、乙醇、己烷、汽油、煤油，etc

- 黏接開關導軌時，請充分清除本體（軟管）表面的油分、水分、灰塵等。

（請依照零件添附的操作注意事項進行黏接）

- 附空氣緩衝的注意事項

φ 20、φ 25可使用的配管接頭有限制，使用前請先參閱以下內容。

| 項目   | 孔口直徑 | 適用接頭                | 不適用接頭      |
|------|------|---------------------|------------|
| φ 20 | M5   | SC3W-M5-4・6         | GWL6-M5    |
|      |      | SC3R-M5             |            |
| φ 25 | M5   | GWS4-M5 GWS4-M5-S   | GWL6-M5-45 |
|      |      | GWS6-M5 GWS6-M5-S   |            |
|      |      | GWL4-M5 GWL4-M5-45  |            |
|      |      | GWL4-M5-T GWL6-M5-T |            |

- 開關安裝方式：綁帶方式的注意事項

- 將開關位置朝行程方向移動時

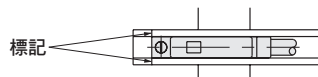
單色顯示開關可微調距離為出廠時安裝位置之±3mm。鬆開開關的安裝螺絲，並將開關沿著導軌移動，然後將螺絲固定在規定的位置。若調整範圍超過±3mm，或是要微調雙色顯示開關的位置時，必須移動綁帶位置。使用T2、T3、T0、T5時，鎖緊開關固定用螺絲需選擇握徑為5~6mm，前端形狀寬度小於2.4mm，厚度小於0.3mm的一字螺絲起子（時鐘調整用螺絲起子或精密螺絲起子等），且固定扭力需設定為0.1~0.2N・m。

如為T2J、T2Y、T3Y時，請以固定扭力0.5~0.7N・m加以鎖緊。

開關導軌在距離導軌端面4mm的位置標有記號。更換開關時，請以該記號作為安裝位置標準。

此外，出廠時本公司已設定好開關最高感度位置作為開關導軌標記。

若變更開關的種類，或移動了綁帶，最高感度位置將有所不同，因此有任何變動都請調整位置。



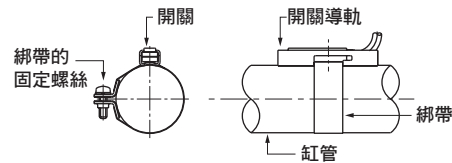
- 欲將開關位置朝圓周方向移動時

請鬆開綁帶的固定螺絲，並將開關導軌朝圓周方向移動，然後再將螺絲固定在規定的位置。

固定扭力為0.6~0.8N・m。

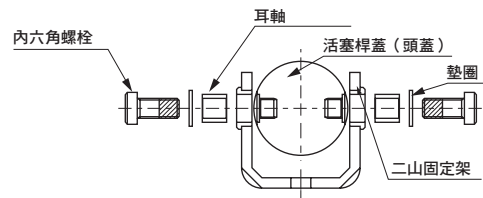
- 欲移動綁帶位置時

鬆開綁帶的固定螺絲，沿氣缸管移動開關導軌及綁帶，然後固定於指定位置。固定扭力為0.6~0.8N・m。



- 安裝型式為耳軸時，請依照下圖要領組裝，並參照下表的固定扭力緊鎖。

| 氣缸內徑 | 固定扭力 (N・m) |
|------|------------|
| φ 20 | 6          |
| φ 25 | 11         |
| φ 32 | 18         |
| φ 40 | 27         |
| φ 50 | 38         |
| φ 63 | 51         |



## 2. 行程調整型SCM-R

#### ⚠ 注意

- 請使用鎖定螺帽確實鎖定行程調整止動器。

- 調整行程時，需嚴守以下第（1）~（5）的步驟。若未遵守前述方法來進行調整，只要經過1~2次的調整即會發生密封華司破損的情形

【行程調整步驟】

- （1）首先，鬆開鎖定螺帽，如圖1所示之狀態。

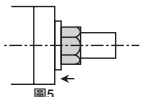
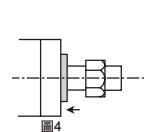
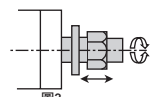
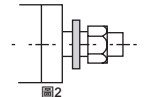
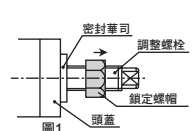
- （2）接著，將密封華司從轉接器上卸除，如圖2所示之狀態。

- （3）請在（2）的狀態下參閱圖3，同時旋轉調整用螺栓、鎖定螺帽及密封華司等，以調整行程。此時，需注意避免密封華司的橡膠部分被螺絲咬入。

- （4）行程調整完成後，請依圖4所示，用手將密封華司靠近轉接器。

- （5）然後，再依圖5所示，利用鎖定螺帽確實進行固定。此時，需注意避免密封華司的橡膠部分被螺絲咬入。

行程調整完成後，請確實固定鎖定螺帽。使用過程中一旦螺帽鬆脫，將發生外部洩漏。



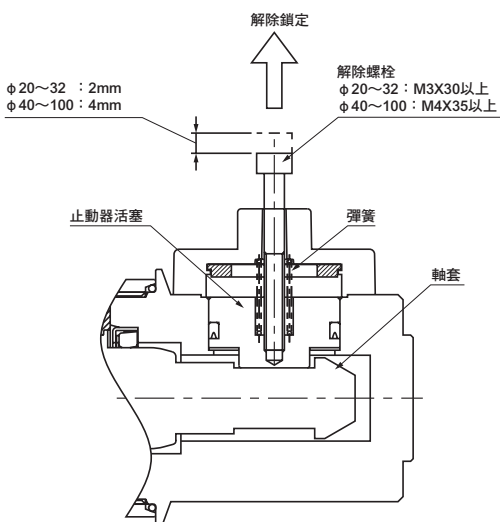
- 調整螺栓係採用密封華司達到密封效果，因此不適合頻繁調整。
- 調整行程時，所有緩衝將無法動作。
- 調整行程分成25mm與50mm 2種。
- 選擇軸向腳架型作為安裝型式時，軸向間距尺寸將與標準型不同。

### 3.防掉落型 SCM-Q

#### ⚠ 注意

- 採用軸向腳架型（安裝型式：LB）時，若要在氣缸上安裝有支撐固定架的狀態下固定於架台等位置，螺栓與止動器護蓋將會造成阻礙而無法固定。請先將防掉落側的安裝固定架固定於架台等位置後再安裝氣缸。
- 鎖定機構會在行程終端開始動作，因此若在行程途中利用外部止動器來啟動止動器，可能將造成鎖定機構無法啟動，甚至發生掉落危險。設定負載時，務必再確認鎖定機構能確實動作。
- 對附鎖定機構端的孔口供應壓力時，應超過所規定之最低適用壓力。
- 若附鎖定機構端的配管較細長，或是調速閥與氣缸孔口之間的距離較遠時，將造成排氣速度變慢，或是需要較長時間鎖定的情形，此點需特別注意。此外，在閥EXH.孔口安裝消音器堵塞時也會造成同樣的結果。
- 手動解除鎖定狀態的方法  
將螺栓（ $\phi 20\sim 32$ ：M3X30以上、 $\phi 40\sim 100$ ：M4X35以上）鎖入止動器活塞，接著再以大於20N的力量，將 $\phi 20\sim 32$ 螺栓拉出2mm、 $\phi 40\sim 100$ 螺栓拉出4mm，止動器活塞就會開始移動，如此即可解除鎖定。

此外，若放開手，內置的彈簧會將止動器活塞推回原位並進入軸套溝槽，氣缸即被鎖定。



### 4.微速型 SCM-F

#### ⚠ 注意

- 調整軸芯以避免對氣缸施加水平負載  
此外，設置滑動導軌時請適當調整以避免扭曲。
  - 負載變動、阻力變動將造成動作不穩定。
  - 若導軌的靜態摩擦力與動態摩擦力差異過大，將會造成動作不穩定。

### 5.低摩擦氣缸SCM-U

#### ⚠ 注意

- 請避免對氣缸施加水平負載。此外，設置滑動導軌時，需避免扭曲。
  - 負載變動、阻力變動將造成動作不穩定。
  - 長行程時，活塞桿自身重量將造成速度不穩定。使用時需設置導軌。
  - 若導軌的靜態摩擦力與動態摩擦力差異過大，將會造成動作不穩定。
- 避免在容易發生振動的場所使用。
  - 振動將造成動作不穩定。
- 請避免在含有水蒸氣、潮濕環境、或是鹼性環境下使用本產品。

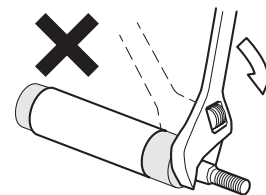
### 6.止轉型SCM-M

#### ⚠ 注意

- 使用時請勿對活塞桿施加旋轉扭力等力道。  
否則有可能造成止轉用軸套變形，甚至造成使用壽命嚴重降低的情形。  
在不得已的情況下，請於容許的旋轉扭力範圍內使用。

| 容許旋轉扭力 | $\phi 20$ | $\phi 25$ | $\phi 32$ | $\phi 40$ | $\phi 50$ | $\phi 63$ |
|--------|-----------|-----------|-----------|-----------|-----------|-----------|
| N·m    | 0.2       | 0.25      | 0.25      | 0.45      | 0.45      | 0.45      |

- 使用時請勿突然施加旋轉扭力，或使扭力負載方向瞬間變化。
- 將工件固定於活塞桿前端時，必須將活塞桿引入直到到達行程終端位置，並以不影響氣缸本體的固定扭力，使用扳手固定往外側突出的二面寬。



SCP※3

CMK2

CMA2

SCM

SCG

SCA2

SCS2

CKV2

CAV2・COVPI2

SSD2

SSG

SSD

CAT

MDC2

MVC

SMG

MSD・MSDG

FC※

STK

SRL3

SRG3

SRM3

SRT3

MRL2

MRG2

SM-25

緩衝器

FJ

FK

調速閥

卷尾

SCP\*3

CMK2

### 1. 共用

CMA2

#### ⚠ 注意

SCM

- 拆解時，請使用老虎鉗等工具夾住頭蓋或活塞桿蓋的任意一組二面寬部分，再使用扳手、活動扳手等工具對另一個護蓋的二面寬部分施力並鬆開該護蓋，以卸除護蓋。

SCG

SCA2

如欲再次固定，請在拆解前的位置更進一步鎖緊。

SCS2

- $\phi 80$ 、 $\phi 100$ 在拆解、組裝時需要較大的扭力。  
詳情已記載於拆解、組裝要領書中，請洽詢承辦業務窗口。

CKV2

CAV2・COVPI2

### 2. 單動式型SCM-X/Y

SSD2

#### ⚠ 注意

SSG

- 單動型氣缸不得長時間加壓後放置。否則，一旦壓力排除後，若彈簧力量疲乏將有可能造成活塞桿無法復原的情形。

SSD

CAT

### 3. 防掉落型 SCM-Q

MDC2

#### ⚠ 警告

MVC

- 維護設備時，為了安全考量，需另外考量所採取的處理方式是否會造成負載裝置因為自由落體而掉落等情形。

SMG

MSD・MSDG

- 使用附空氣緩衝氣缸時，若鎖定機構側的空氣緩衝針閥固定過緊，活塞在行程終端時將出現反彈情形，軸套及止動器活塞也將受到撞擊，因而造成鎖定機構損壞。此外，若空氣緩衝針閥開啟過鬆，活塞一旦到達行程端將反覆彈跳，也將造成鎖定機構損壞。調整緩衝針閥時需注意避免讓空氣緩衝出現反彈的情形。

FC※

STK

SRL3

SRG3

SRM3

SRT3

MRL2

MRG2

SM-25

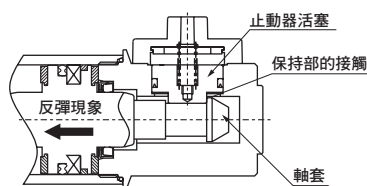
緩衝器

FJ

FK

調速閥

卷尾



使用外部緩衝元件（減震器等）來停止時，也請同樣進行調整以避免發反彈情況。  
每年需進行1~2次定期檢查，以確認前述現象是否造成保持部的損壞。

#### ⚠ 注意

- 手動操作鎖定機構後，請將鎖定機構恢復原狀後再使用。此外，除調整動作外的任何手動操作皆具有危險性，因此需嚴格避免。
- 安裝或調整氣缸時，必須先解除鎖定。  
一旦在鎖定狀態下進行安裝作業，將造成鎖定部位損壞。
- 調速閥需採用排氣節流控制方式。  
進氣節流控制方式可能會造成鎖定無法解除的情形。
- 附有鎖定機構的一側請務必使用於氣缸的行程終端。  
若氣缸活塞未到達行程終端，將造成鎖定無法啟動，或是無法解除等狀況。

### 4. 微速型 SCM-F

#### ⚠ 警告

- 本系列使用氟系潤滑油，若在手沾附潤滑油時吸菸，將因此產生有毒氣體，甚至可能會危害人體健康，此點需特別注意。

### 5. 低摩擦型 SCM-U

#### ⚠ 注意

- 請勿將本產品拆解。否則，將造成本產品無法維持既有的性能。  
此外，本產品無法單獨提供消耗性零件。